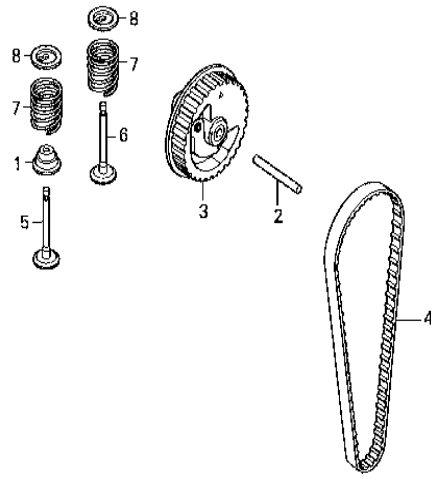


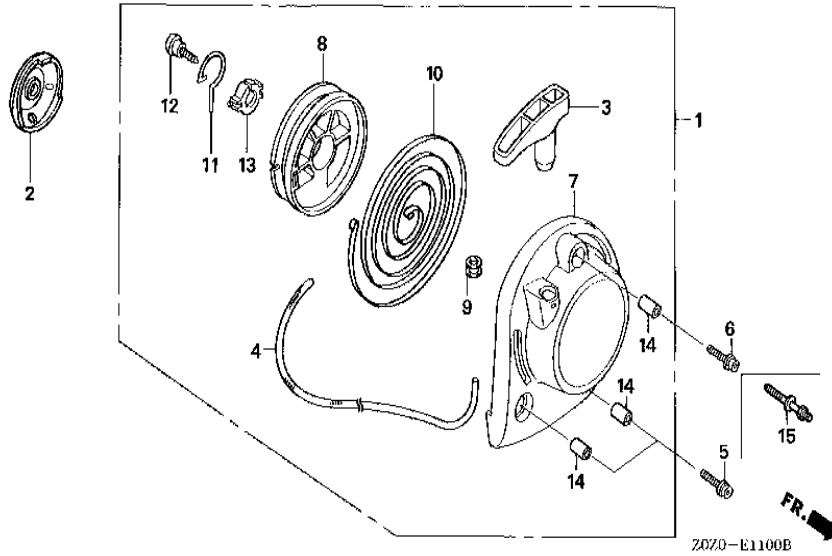
GX35(SD)	E-10 CAM PULLEY
----------	-----------------



Z0Z0-151000 **FR.** →

<u>Ref</u>	<u>Partnumber</u>	<u>Description</u>	<u>GX35</u>	<u>Serial Numbers</u>
001	12209-Z0H-003	SEAL, VALVE STEM	1	
002	14126-Z0Z-003	ROLLER, 4X31.8	1	
003	14320-Z0Z-000	PULLEY COMP., CAMSHAFT	1	
004	14400-Z0Z-003	BELT, TIMING (76ZU7 G-300)	1	
005	14711-Z0Z-000	VALVE, IN.	1	1183074
006	14721-Z0Z-000	VALVE, EX.	1	1183074
007	14751-Z0Z-000	SPRING, VALVE	2	
008	14771-Z0H-000	RETAINER, VALVE SPRING	2	

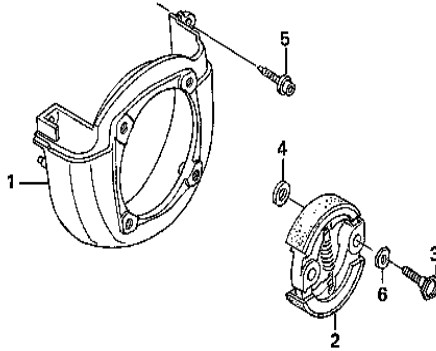
GX35(SD)	E-11 RECOIL STARTER
----------	---------------------



Ref	Partnumber	Description	GX35	Serial Numbers
001	28400-Z0Z-003	STARTER ASSY., RECOIL	1	
002	28451-Z0H-003	PULLEY, RECOIL STARTER	1	
003	28461-ZM3-003	KNOB, RECOIL STARTER	1	
004	28462-ZM3-003	ROPE, RECOIL STARTER	1	
005	90018-Z0H-003	BOLT, SOCKET, 5X16	2	
006	90018-Z0H-003	BOLT, SOCKET, 5X16	1	
007	28414-Z0Z-000	CASE, RECOIL STARTER	1	
008	28421-ZM3-003	REEL, RECOIL STARTER	1	
009	28433-ZM3-003	GUIDE, ROPE	1	
010	28442-Z0H-003	SPRING, RECOIL STARTER	1	
011	28459-Z0H-003	ARM, SWING	1	
012	90012-ZM3-003	SCREW, SETTING	1	
013	91504-ZM3-003	COLLAR	1	

<u>Ref</u>	<u>Partnumber</u>	<u>Description</u>	<u>GX35</u>	<u>Serial Numbers</u>
014	91506-ZM3-000	COLLAR A, HEAD COVER	3	

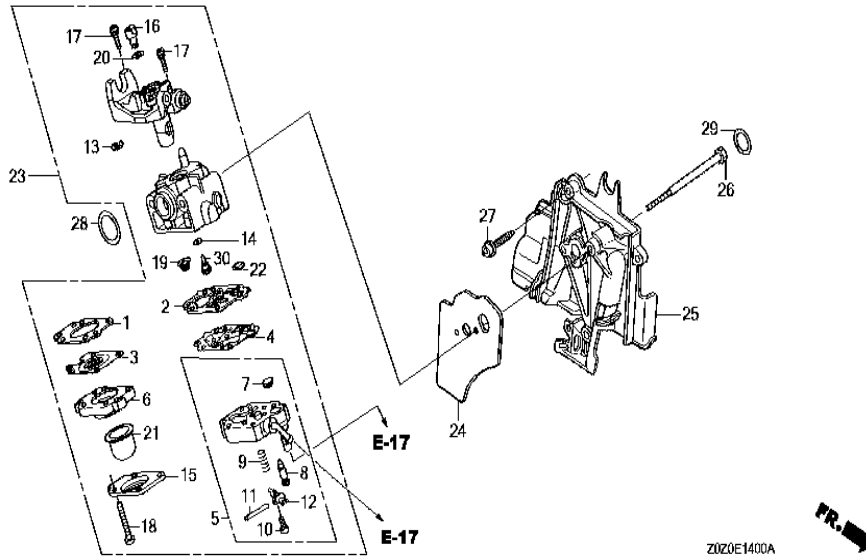
GX35(SD)	E-12 FAN COVER/CLUTCH
----------	-----------------------



Z0Z0-E1200A

<u>Ref</u>	<u>Partnumber</u>	<u>Description</u>	<u>GX35</u>	<u>Serial Numbers</u>
001	19611-Z0Z-000	COVER, FAN	1	
002	22000-ZM5-003	CLUTCH ASSY.	1	1100103
003	22253-ZM5-003	BOLT, CLUTCH (8MM)	2	1100103
004	22254-ZM5-003	WASHER, CLUTCH (8X17)	2	
005	90009-Z0H-003	BOLT, SOCKET, 5X20	3	

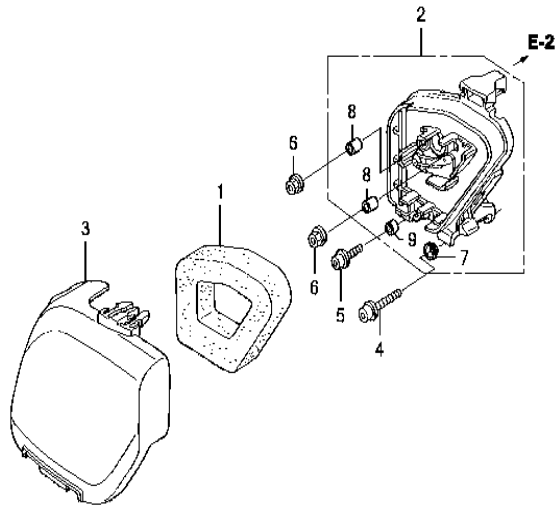
GX35(SD)	E-14 CARBURETOR
----------	-----------------



<u>Ref</u>	<u>Partnumber</u>	<u>Description</u>	<u>GX35</u>	<u>Serial Numbers</u>
001	16010-ZM3-004	GASKET, METERING DIAPHRAGM	1	
002	16011-Z0H-003	GASKET, PUMP	1	WYB 16B
003	16013-Z0H-003	DIAPHRAGM ASSY., METERING	1	
004	16014-ZM3-004	DIAPHRAGM, PUMP	1	
005	16015-Z0H-003	BODY ASSY., PUMP	1	WYB 16B
006	16017-ZM3-004	BODY ASSY., AIR PURGE	1	
007	16018-ZM3-802	SCREEN, INLET	1	
008	16019-ZM3-004	VALVE, INLET NEEDLE	1	
009	16020-ZM3-004	SPRING, METERING LEVER	1	
010	16021-ZM3-004	SCREW, METERING LEVER PIN	1	
011	16022-ZM3-004	PIN, METERING LEVER	1	
012	16023-ZM3-004	LEVER, METERING	1	
013	16024-Z0H-003	RING, RETAINING	1	

<u>Ref</u>	<u>Partnumber</u>	<u>Description</u>	<u>GX35</u>	<u>Serial Numbers</u>
014	16025-ZM3-004	O-RING	1	
015	16026-ZM3-004	COVER, PRIMER PUMP	1	
016	16027-ZM3-004	SWIVEL	1	
017	16028-ZM3-004	SCREW, THROTTLE COLLAR	2	
018	16029-ZM3-004	SCREW, PUMP COVER	4	
019	16030-ZM3-004	SPRING, PUMP	1	
020	16031-ZM3-004	WASHER	1	
021	16032-ZM3-004	PUMP, PRIMER	1	
022	16035-ZM3-802	FILTER, FUEL INLET	1	
023	16100-Z0Z-812	CARBURETOR ASSY. (WYB 14A)	1	1108555
024	16221-Z0Z-000	PACKING, CARBURETOR	1	
025	19631-Z0Z-000	SHROUD	1	1139911
026	90014-Z0H-003	BOLT, 5X53	2	
027	90018-Z0H-003	BOLT, SOCKET, 5X16	2	
028	91301-ZM3-000	O-RING, 14.8X2.4	1	
029	91308-Z0H-003	O-RING, 12.3X2.4	1	
030	99101-Z0Z0360	JET (#36)	(1)	
030	99101-Z0Z0370	JET (#37)	(1)	
030	99101-ZM50350	JET (#35)	(1)	

GX35(SD)	E-15 AIR CLEANER
----------	------------------

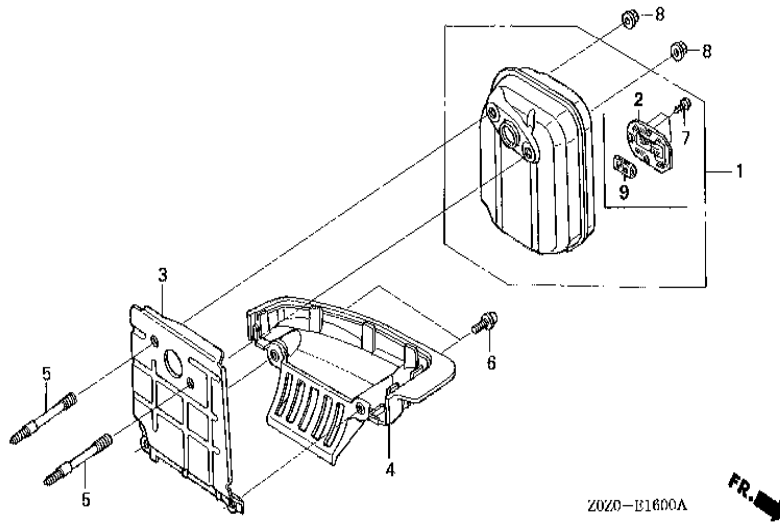


Z0Z0E1500A



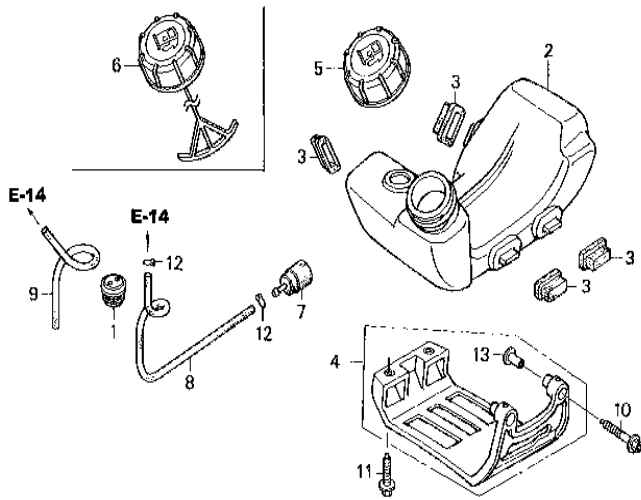
<u>Ref</u>	<u>Partnumber</u>	<u>Description</u>	<u>GX35</u>	<u>Serial Numbers</u>
001	17211-Z0Z-000	ELEMENT, AIR CLEANER	1	
002	17220-Z0Z-000	CASE COMP., AIR CLEANER	1	
003	17231-Z0Z-000	COVER, AIR CLEANER	1	
004	90009-Z0Z-003	BOLT, SOCKET, 5X25	1	
005	90018-Z0H-003	BOLT, SOCKET, 5X16	1	
006	94050-05000	NUT, FLANGE, 5MM	2	
007	91501-Z0Z-000	COLLAR, AIR CLEANER CASE	1	
008	91503-ZM3-000	COLLAR, AIR CLEANER	2	
009	91506-ZM3-000	COLLAR A, HEAD COVER	1	

GX35(SD)	E-16 MUFFLER
----------	--------------



<u>Ref</u>	<u>Partnumber</u>	<u>Description</u>	<u>GX35</u>	<u>Serial Numbers</u>
001	18310-Z0Z-000	MUFFLER COMP.	1	1116434
003	18515-Z0Z-300	GUIDE, AIR	1	
004	18518-Z0Z-000	GUIDE COMP., UNDER AIR	1	1186547
005	90001-Z0Z-003	BOLT, STUD, 5X56.5	2	
006	90018-Z0H-003	BOLT, SOCKET, 5X16	2	
008	90136-SM4-901	NUT, SELF-LOCK, 5MM	2	

GX35(SD)	E-17 FUEL TANK
----------	----------------

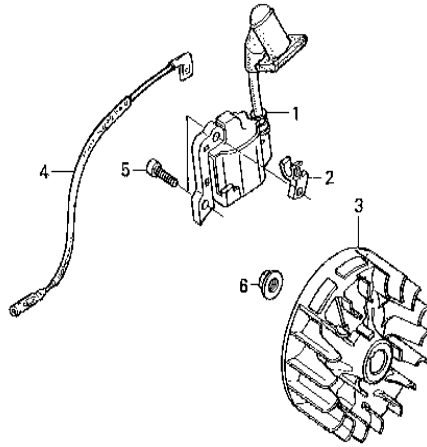


7070--E1700



Ref	Partnumber	Description	GX35	Serial Numbers
001	17504-ZM3-003	GROMMET, FUEL TUBE	1	
002	17511-Z0Z-003	TANK, FUEL	1	1128080
003	17533-Z0H-000	RUBBER, TANK MOUNTING	4	
005	17620-ZM3-043	CAP ASSY., FUEL TANK	1	
007	17672-ZM3-003	FILTER, FUEL	1	1128080
008	17701-Z0Z-000	TUBE, FUEL TANK	1	
009	17702-Z0Z-000	TUBE, FUEL RETURN	1	
012	91401-ZM3-003	CLIP, TUBE	2	

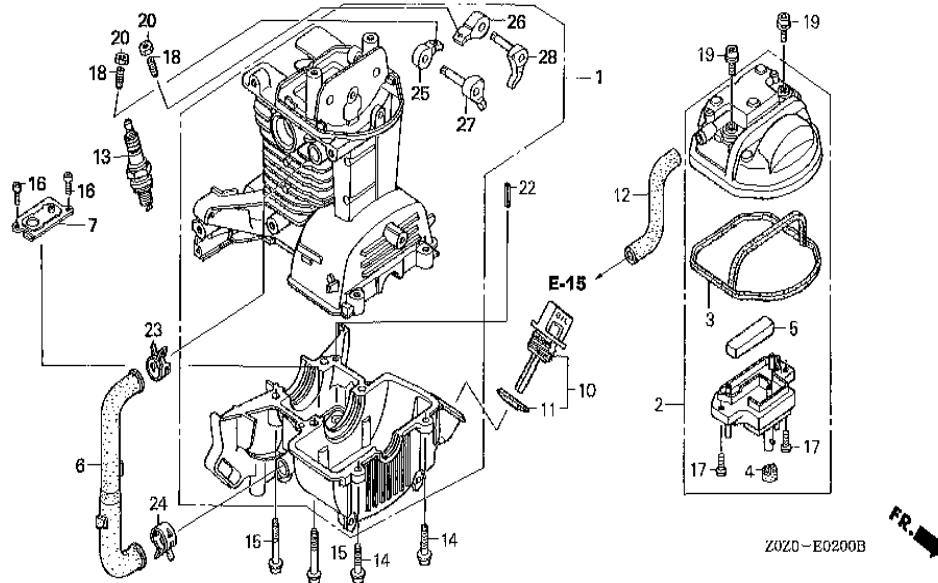
GX35(SD)	E-19 FLYWHEEL
----------	---------------



Z070- E:1900

<u>Ref</u>	<u>Partnumber</u>	<u>Description</u>	<u>GX35</u>	<u>Serial Numbers</u>
001	30500-Z0Z-003	COIL ASSY., IGNITION	1	1147205
002	30522-Z0Z-000	CLIP, HIGH TENSION CORD	1	
003	31110-Z0Z-003	FLYWHEEL COMP.	1	
004	32195-Z0Z-000	CORD, STOP SWITCH	1	
005	90012-Z0H-005	BOLT, SOCKET, 4X14	2	
006	94050-08000	NUT, FLANGE, 8MM	1	

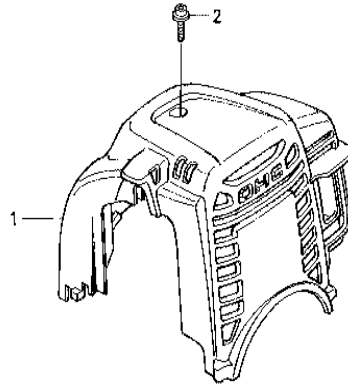
GX35(SD)	E-2 CRANKCASE SET
----------	-------------------




Ref	Partnumber	Description	GX35	Serial Numbers
001	10100-Z0Z-405	CRANKCASE SET	1	
002	12310-Z0Z-000	COVER, CYLINDER HEAD	1	
003	12312-Z0Z-300	SEAL, HEAD COVER	1	
004	12314-Z0H-300	GROMMET, HEAD COVER	1	
005	12367-Z0H-000	FILTER, BREATHER	1	
006	15422-Z0Z-000	TUBE, OIL	1	
007	15510-Z0H-000	PLATE ASSY., OIL OUTLET VALVE	1	
010	15600-ZM3-003	CAP ASSY., OIL FILLER	1	
011	15625-ZE1-003	PACKING, OIL FILLER CAP	1	
012	15721-Z0Z-000	TUBE, BREATHER	1	
013	31914-Z0H-003	PLUG, SPARK (CMR4H) (NGK)	(1)	
013	31915-Z0H-003	PLUG, SPARK (CMR5H) (NGK)	1	
013	31916-Z0H-003	PLUG, SPARK (CMR6H) (NGK)	(1)	

<u>Ref</u>	<u>Partnumber</u>	<u>Description</u>	<u>GX35</u>	<u>Serial Numbers</u>
014	90009-Z0H-003	BOLT, SOCKET, 5X20	2	
015	90010-Z0Z-003	BOLT, SOCKET, 5X32	4	
016	90013-Z0H-004	SCREW, PAN, 4X8	2	
017	90013-Z0Z-003	SCREW, PAN, 4X8	2	
018	90017-Z0H-000	SCREW, TAPPET ADJUSTING	2	
019	90019-Z0H-003	BOLT, SOCKET, 5X12	2	
020	90206-ZM3-000	NUT, TAPPET ADJUSTING	2	
022	94305-40102	PIN, SPRING, 4X10	1	
023	95002-4120008	CLAMP, TUBE (D12)	1	
024	95002-4130004	CLAMP, TUBE (D13)	1	
025	14431-Z0H-003	ARM, IN. VALVE ROCKER	1	
026	14441-Z0H-003	ARM, EX. VALVE ROCKER	1	
027	14730-Z0Z-000	LIFTER COMP., IN. VALVE	1	
028	14740-Z0Z-000	LIFTER COMP., EX. VALVE	1	

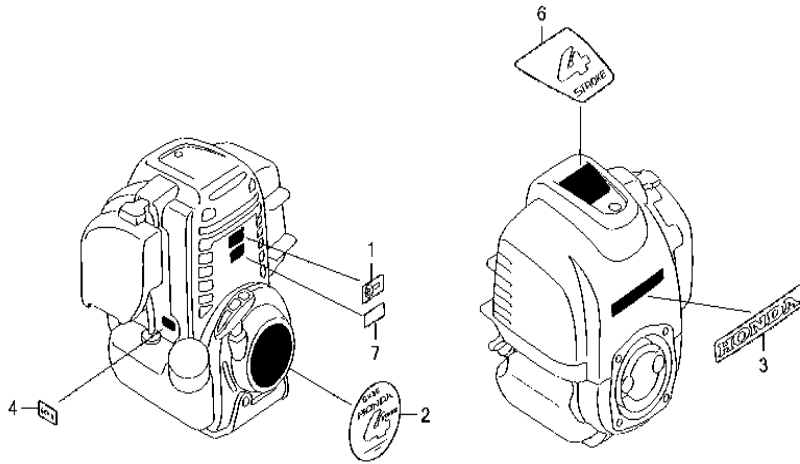
GX35(SD)	E-27 TOP COVER
----------	----------------



Z0Z0 E2700 

<u>Ref</u>	<u>Partnumber</u>	<u>Description</u>	<u>GX35</u>	<u>Serial Numbers</u>
001	19720-Z0Z-000ZA	COVER COMP., TOP *R280 *	1	
002	90015-Z0H-003	BOLT, TOP COVER	1	

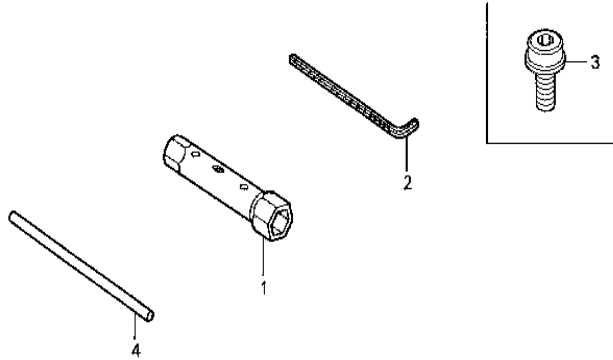
GX35(SD)	E-28 LABEL
----------	------------



Z0Z0E2800B

<u>Ref</u>	<u>Partnumber</u>	<u>Description</u>	<u>GX35</u>	<u>Serial Numbers</u>
001	87135-ZE2-020	LABEL, E-SPEC (15.5X27.5)	1	
002	87521-Z0Z-000	MARK, EMBLEM	1	
003	87531-Z0Z-000	MARK, HONDA	1	
004	87601-Z0H-890	MARK, TYPE (SD)	1	
006	87660-Z0Z-000	MARK (4-STROKE)	1	

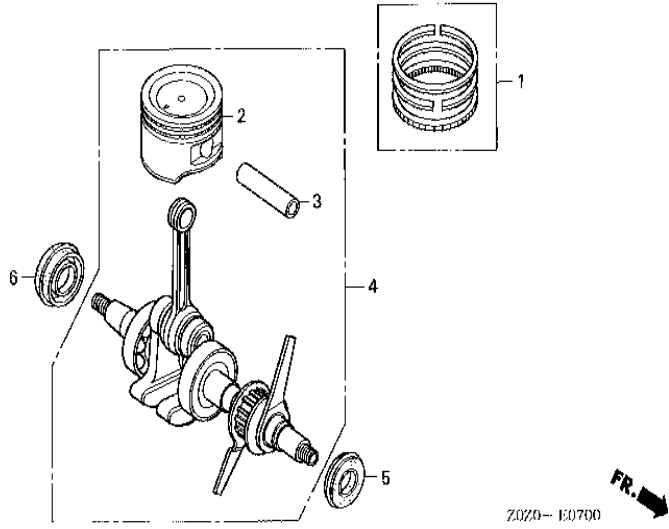
GX35(SD)	E-29 TOOL
----------	-----------



Z070-- E2900

<u>Ref</u>	<u>Partnumber</u>	<u>Description</u>	<u>GX35</u>	<u>Serial Numbers</u>
001	89216-045-010	WRENCH, SPARK PLUG	(1)	
002	89221-KW3-000	WRENCH, HEX., 4MM	(1)	
003	90011-Z0H-811	BOLT, SOCKET, 5X9	(1)	
004	99005-01000	BAR A, HANDLE	(1)	

GX35(SD)	E-7 CRANKSHAFT/PISTON
----------	-----------------------



<u>Ref</u>	<u>Partnumber</u>	<u>Description</u>	<u>GX35</u>	<u>Serial Numbers</u>
001	13010-ZM5-000	RING SET, PISTON	1	
002	13101-Z0Z-000	PISTON	1	
003	13111-ZM5-000	PIN, PISTON	1	
004	13310-Z0Z-000	CRANKSHAFT COMP.	1	
005	91212-Z0H-003	OIL SEAL, 10X20X5	1	
006	91214-ZM3-003	OIL SEAL, 15X25X6	1	