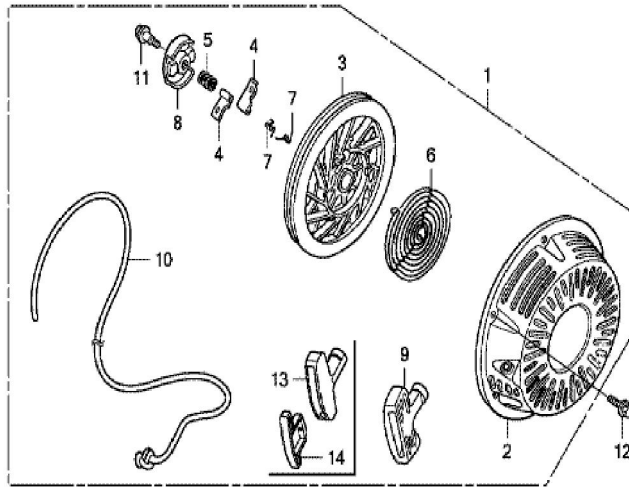


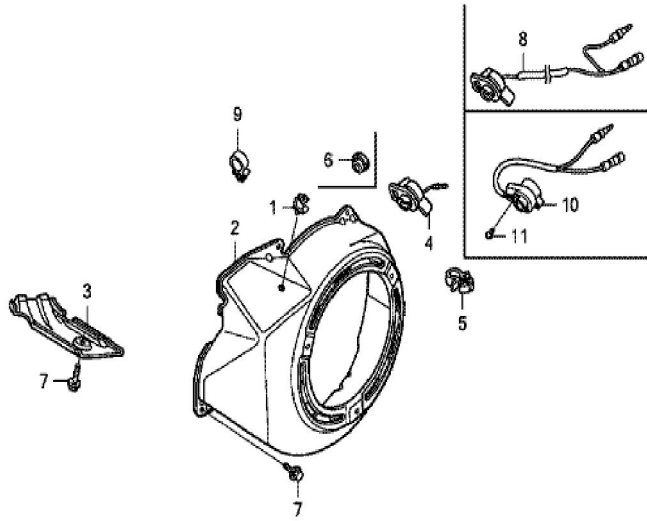
GX390T2(QX)	E-11 RECOIL STARTER
-------------	---------------------



FR. →
Z1COE1100A

<u>Ref</u>	<u>Partnumber</u>	<u>Description</u>	<u>GX390T2</u>	<u>Serial Numbers</u>
001	28400-Z5T-003ZA	STARTER ASSY., RECOIL *R280*	1	
002	28410-ZE3-W01ZP	CASE COMP., RECOIL STARTER *R280 *	1	
003	28421-ZE3-W01	PULLEY, RECOIL STARTER	1	
004	28422-ZE2-W01	RATCHET, STARTER	2	
005	28441-ZE2-W01	SPRING, FRICTION	1	
006	28442-ZE2-W01	SPRING, STARTER RETURN	1	
007	28443-ZE2-W01	SPRING, RATCHET	2	
008	28444-ZE2-W01	RETAINER, SPRING	1	
010	28462-ZE3-W01	ROPE, RECOIL STARTER	1	
011	90004-ZE2-W01	SCREW, CENTER	1	
012	90008-ZE2-003	BOLT, FLANGE, 6X10	3	
013	28461-Z5T-003	GRIP, STARTER	1	
014	28463-Z5T-003	GRIP, REINFORCEMENT	1	

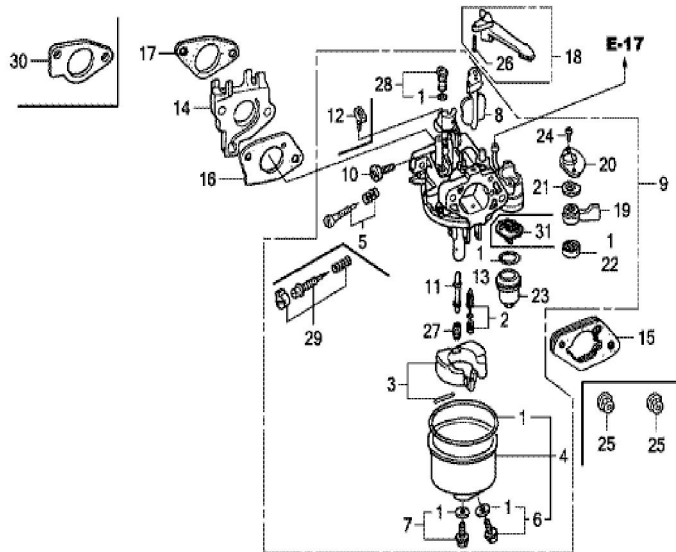
GX390T2(QX)	E-12 FAN COVER (1)
-------------	--------------------



FR. Z1COE1200B

<u>Ref</u>	<u>Partnumber</u>	<u>Description</u>	<u>GX390T2</u>	<u>Serial Numbers</u>
001	16731-ZE2-003	CLIP, TUBE	1	
002	19610-Z5T-000ZA	COVER COMP., FAN *R280*	1	
003	19631-Z5T-000	SHROUD	1	
007	90013-883-000	BOLT, FLANGE, 6X12 (CT200)	6	
010	35120-Z5T-003	SWITCH ASSY., ENGINE STOP	1	
011	90004-Z5T-000	SCREW, TAPPING, (PO) (3X6)	2	

GX390T2(QX)	E-14 CARBURETOR (1)
-------------	---------------------

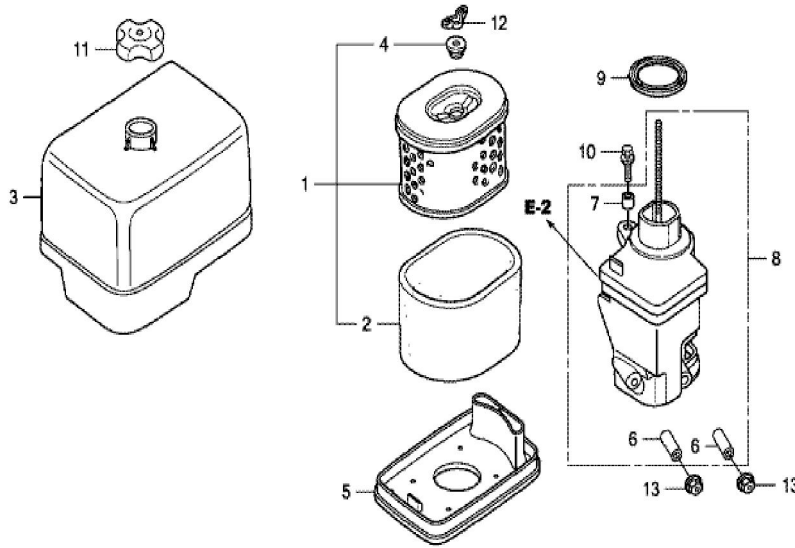


FR. →
Z1C0E1400F

Ref	Partnumber	Description	GX390T2	Serial Numbers
001	16010-ZE2-812	GASKET SET	1	
002	16011-ZA0-931	VALVE SET, FLOAT	1	
003	16013-Z1C-003	FLOAT SET	1	
004	16015-Z5T-901	CHAMBER SET, FLOAT	1	
004	16015-ZE8-005	CHAMBER SET, FLOAT	1	
005	16016-ZF6-005	SCREW SET, PILOT	1	
006	16024-Z5T-901	SCREW SET, DRAIN	1	
006	16024-ZE1-811	SCREW SET, DRAIN	1	
007	16028-Z5T-901	SCREW SET	1	
007	16028-ZE0-005	SCREW SET	1	
008	16044-Z5T-901	CHOKE SET	1	
008	16044-ZE3-W20	CHOKE SET	1	
009	16100-Z1C-601	CARBURETOR ASSY. (BE85K A)	1	

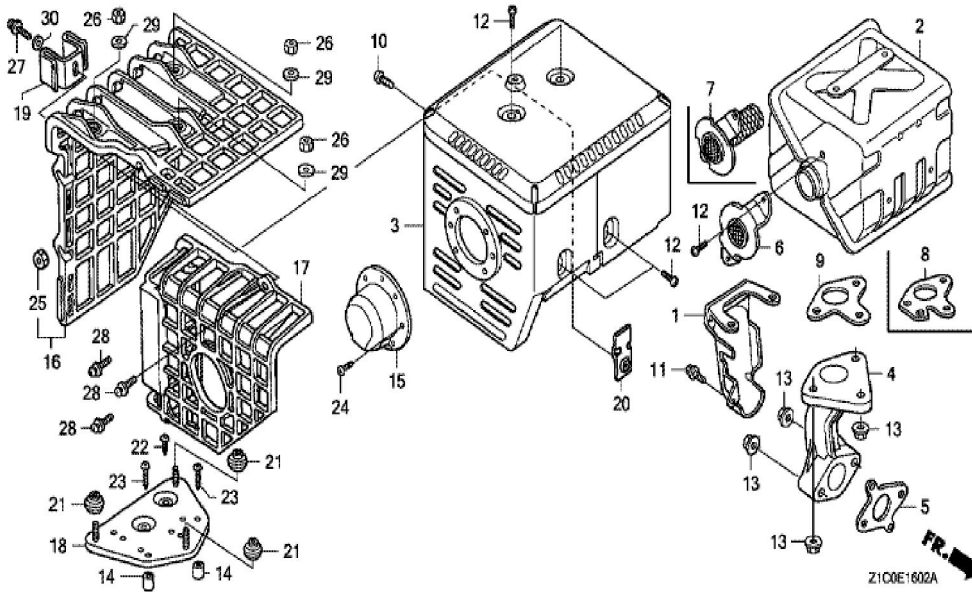
<u>Ref</u>	<u>Partnumber</u>	<u>Description</u>	<u>GX390T2</u>	<u>Serial Numbers</u>
009	16100-Z1C-901	CARBURETOR ASSY. (BE88B A)	1	
010	16124-ZE0-005	SCREW, THROTTLE STOP	1	
011	16166-Z5T-901	NOZZLE, MAIN	1	
011	16166-ZF6-V00	NOZZLE, MAIN	1	
012	16172-ZE3-W10	COLLAR, SETTING	1	
013	16173-001-004	PACKING, FUEL STRAINER CUP	1	
014	16211-Z5T-000	INSULATOR, CARBURETOR	1	
014	16211-ZF6-000	INSULATOR, CARBURETOR	1	
015	16220-ZA0-702	SPACER COMP., CARBURETOR	1	
016	16221-Z5T-000	PACKING, CARBURETOR	1	
016	16221-ZF6-800	PACKING, CARBURETOR	1	
017	16223-ZE3-W00	PACKING, INSULATOR	1	
018	16610-ZE1-000	LEVER COMP., CHOKE (STD.)	1	
019	16953-ZE1-812	LEVER, COCK	1	
020	16954-ZE1-812	PLATE, LEVER SETTING	1	
021	16956-ZE1-811	SPRING, COCK LEVER	1	
022	16957-ZE1-812	PACKING, FUEL COCK	1	
023	16967-ZE0-811	CUP, FUEL STRAINER	1	
024	93500-030061H	SCREW, PAN, 3X6	2	
026	94305-20122	PIN, SPRING, 2X12	1	
027	99101-ZH80880	JET, MAIN, #88	(1)	
027	99101-ZH80900	JET, MAIN, #90	(1)	
027	99101-ZH80920	JET, MAIN, #92	1	
027	99101-ZH80980	JET, MAIN, #98	(1)	
027	99101-ZH81020	JET, MAIN, #102	(1)	
027	99101-ZH81050	JET, MAIN, #105	1	
028	99204-ZA00450	JET SET, PILOT, #45	1	
028	99204-ZE00380	JET SET, PILOT, #38	1	
030	16212-Z5T-000	PACKING, CARBURETOR INSULATOR	1	
031	16959-Z5T-901	FILTER, CUP	1	

GX390T2(QX)	E-15-4 AIR CLEANER (SILENT) (2)
-------------	---------------------------------



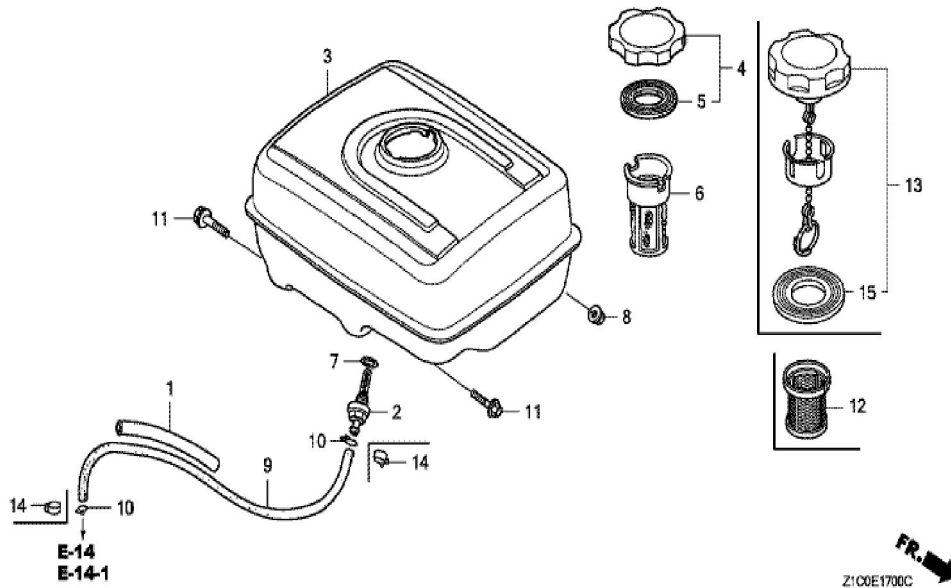
Ref	Partnumber	Description	GX390T2	Serial Numbers
001	17210-ZE3-010	ELEMENT, AIR CLEANER	1	
002	17218-ZE3-000	FILTER, OUTER	1	
003	17231-Z5T-000	COVER, AIR CLEANER CASE	1	
004	17232-891-000	GROMMET, AIR CLEANER	1	
005	17235-Z5T-000	NOSE, SILENCER	1	
006	17238-ZE2-310	COLLAR, AIR CLEANER	2	
007	17239-ZE1-000	COLLAR B, AIR CLEANER	1	
008	17410-Z5T-000	ELBOW COMP., AIR CLEANER	1	
009	17417-Z5T-000	PACKING, AIR CLEANER ELBOW	1	
010	90009-Z1C-000	BOLT-WASHER, 6X22	1	
011	90202-Z2E-000	NUT, AIR CLEANER COVER	1	
012	90325-044-000	NUT, TOOL BOX SETTING	1	
013	94050-06000	NUT, FLANGE, 6MM	2	

GX390T2(QX)	E-16-2 MUFFLER (3)
-------------	--------------------



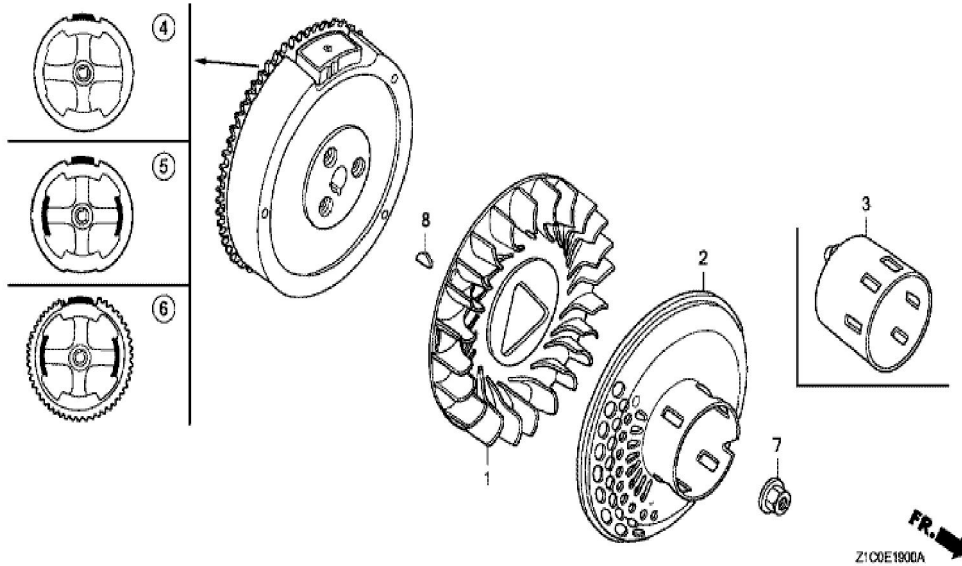
Ref	Partnumber	Description	GX390T2	Serial Numbers
002	18310-Z5T-000	MUFFLER COMP.	1	
003	18320-Z5T-000	PROTECTOR COMP., MUFFLER	1	
004	18331-Z5T-000	PIPE, EX.	1	
005	18333-ZF6-W01	GASKET, EX. PIPE	1	
006	18336-ZE3-000	FLANGE COMP., BAFFLE	1	
009	18381-Z1C-801	GASKET, MUFFLER (THAI LEAKLESS)	1	
009	18381-ZE2-801	GASKET, MUFFLER (NIPPON LEAKLESS)	1	
010	90006-ZE2-000	SCREW, TAPPING, 6X10	1	
012	90050-ZE1-000	SCREW, TAPPING, 5X8	6	
013	94050-08000	NUT, FLANGE, 8MM	5	

GX390T2(QX)	E-17 FUEL TANK
-------------	----------------



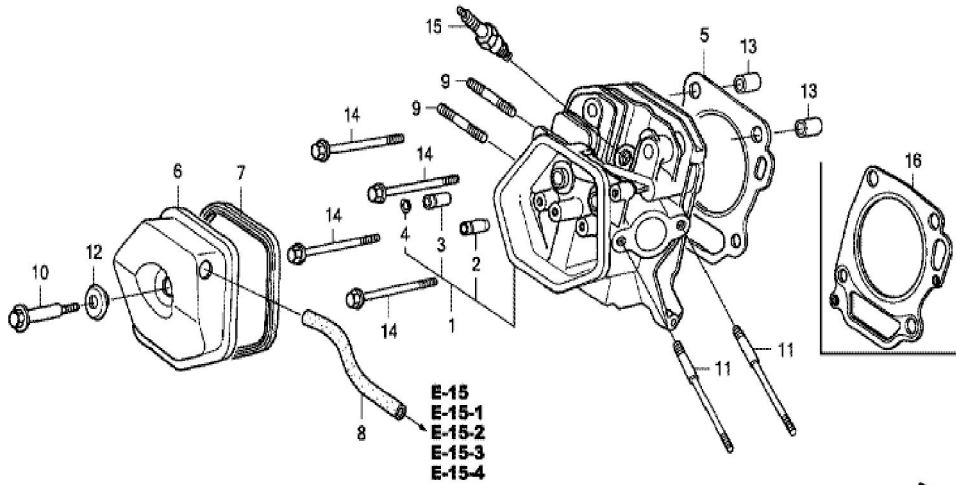
Ref	Partnumber	Description	GX390T2	Serial Numbers
001	16854-ZH8-000	RUBBER, SUPPORTER (107MM)	1	
002	16955-ZE1-010	JOINT, FUEL TANK	1	
003	17510-Z5T-000ZB	TANK COMP., FUEL *NH31*	1	
004	17620-Z0T-813	CAP COMP., FUEL FILLER (CHROME PLATED) (1	
004	17620-Z1T-800	CAP COMP., FUEL FILLER (CHROME PLATED) (1	
005	17631-Z0T-801	PACKING, FUEL FILLER CAP (39X62X3) (RADI	1	
005	17631-Z1T-800	PACKING, FUEL FILLER CAP (39X62X3) (TOUY	1	
007	91353-671-004	O-RING, 14MM (NOK)	1	
008	94050-08000	NUT, FLANGE, 8MM	2	
009	95001-4523540	TUBE, FUEL, 4.5X235 (95001-45001-60M)	1	
010	95002-02080	CLIP, TUBE (B8)	2	
011	95701-0802500	BOLT, FLANGE, 8X25	2	

GX390T2(QX)	E-19 FLYWHEEL
-------------	---------------



<u>Ref</u>	<u>Partnumber</u>	<u>Description</u>	<u>GX390T2</u>	<u>Serial Numbers</u>
001	19511-ZE3-000	FAN, COOLING	1	
002	28450-ZE3-W11	PULLEY COMP., STARTER (SCREEN GRID)	1	
004	31110-Z5T-000	FLYWHEEL COMP.	1	
007	90201-ZE3-790	NUT, SPECIAL, 16MM	1	
008	90741-ZE2-000	KEY, SPECIAL WOODRUFF, 25X18	1	

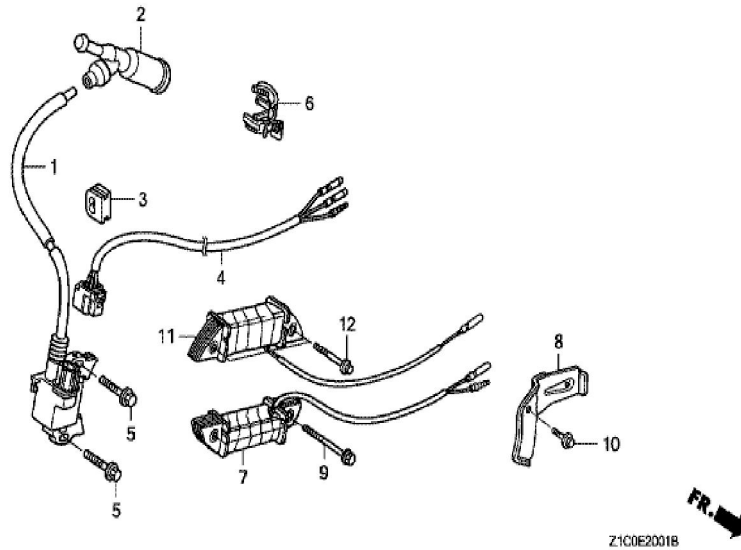
GX390T2(QX)	E-2 CYLINDER HEAD
-------------	-------------------



Ref	Partnumber	Description	GX390T2	Serial Numbers
001	12200-Z1C-406	HEAD COMP., CYLINDER	1	
001	12210-Z5T-406	HEAD COMP., CYLINDER	1	
002	12204-ZE2-306	GUIDE, IN. VALVE (O.S.)	1	
003	12205-ZE2-305	GUIDE, EX. VALVE (O.S.)	1	
004	12216-ZE2-300	CLIP, VALVE GUIDE	1	
005	12251-Z1C-801	GASKET, CYLINDER HEAD (THAI LEAKLESS)	1	1337117
005	12251-Z5T-003	GASKET, CYLINDER HEAD (NIPPON LEAKLESS)	1	
006	12310-Z5T-000	COVER, CYLINDER HEAD	1	
006	12310-ZE2-020	COVER COMP., HEAD	1	
007	12391-ZE2-020	PACKING, HEAD COVER	1	
008	12357-Z5T-000	TUBE, BREATHER	1	
008	95005-1110530	TUBE, 11X105 (95005-11001-30M)	1	
009	92900-080320E	BOLT, STUD, 8X32	2	

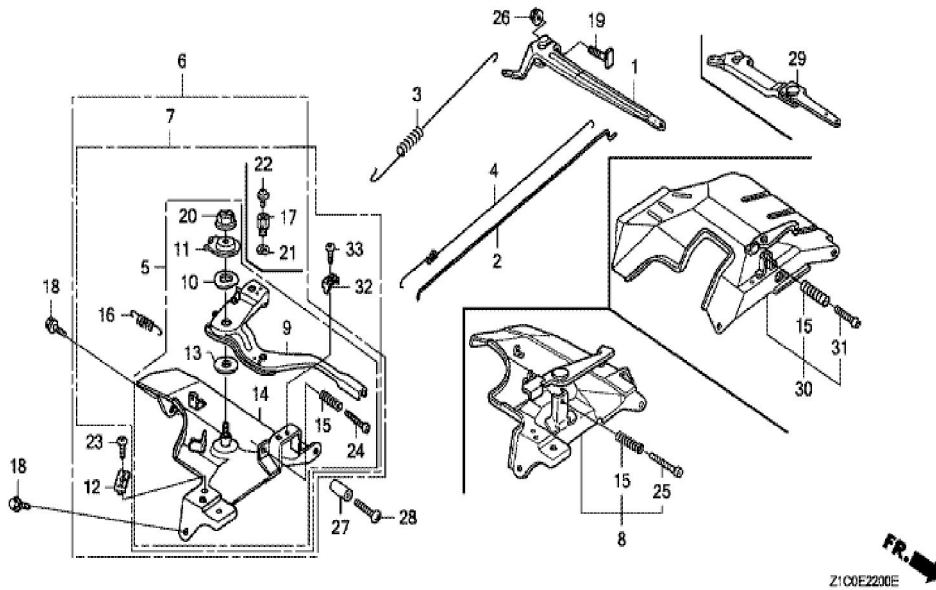
<u>Ref</u>	<u>Partnumber</u>	<u>Description</u>	<u>GX390T2</u>	<u>Serial Numbers</u>
010	90014-Z5T-000	BOLT, HEAD COVER	1	
011	90042-ZE8-000	BOLT, STUD, 8X131.5	2	
012	90441-ZE2-010	WASHER COMP., HEAD COVER	1	
013	94301-12200	DOWEL PIN, 12X20	2	
014	95701-1008000	BOLT, FLANGE, 10X80	4	
015	98079-55876	PLUG, SPARK (BPR5ES)	(1)	
015	98079-56876	PLUG, SPARK (BPR6ES)	1	

GX390T2(QX)	E-20-1 IGNITION COIL (2)
-------------	--------------------------



<u>Ref</u>	<u>Partnumber</u>	<u>Description</u>	<u>GX390T2</u>	<u>Serial Numbers</u>
001	30500-Z5T-003	COIL ASSY., IGNITION	1	
002	30700-Z1C-811	CAP ASSY., NOISE SUPPRESSOR (NGK Y-EZD)	1	
003	31512-ZE2-000	GROMMET, CORD	1	
004	32110-Z5T-000	HARNESS ASSY., ENGINE WIRE	1	
005	90015-883-000	BOLT, FLANGE, 6X28	2	
006	90684-ZA0-601	CLIP, HARNESS	1	

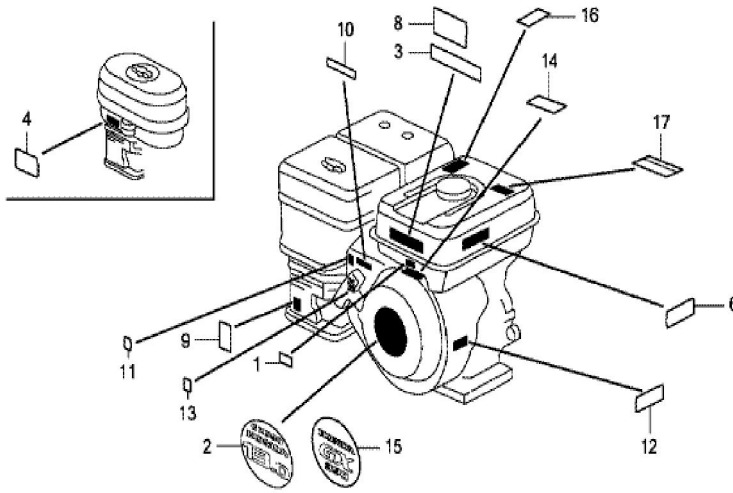
GX390T2(QX)	E-22 CONTROL (1)
-------------	------------------



Ref	Partnumber	Description	GX390T2	Serial Numbers
001	16551-ZE3-000	ARM, GOVERNOR	1	
002	16555-ZE3-000	ROD, GOVERNOR	1	
003	16561-ZE3-000	SPRING, GOVERNOR (L=137.5MM)	1	
004	16562-ZE3-000	SPRING, THROTTLE RETURN	1	
007	16500-Z5T-810	CONTROL ASSY. (REMOTE) (ROD)	1	
007	16570-ZE3-W20	CONTROL ASSY. (REMOTE)	1	
009	16571-ZE3-W00	LEVER, CONTROL	1	
010	16574-ZE1-000	SPRING, LEVER	1	
011	16575-ZE2-W00	WASHER, CONTROL LEVER	1	
013	16578-ZE1-000	SPACER, CONTROL LEVER	1	
014	16580-Z5T-000	BASE COMP., CONTROL	1	
014	16581-ZE3-W00	BASE COMP., CONTROL (###)	1	
015	16584-883-300	SPRING, CONTROL ADJUSTING	1	

<u>Ref</u>	<u>Partnumber</u>	<u>Description</u>	<u>GX390T2</u>	<u>Serial Numbers</u>
016	16592-883-310	SPRING, CABLE RETURN	1	
018	90013-883-000	BOLT, FLANGE, 6X12 (CT200)	2	
019	90015-Z5T-000	BOLT, GOVERNOR ARM	1	
020	90114-SA0-000	NUT, SELF-LOCK, 6MM	1	
024	93500-050320A	SCREW, PAN, 5X32	1	
026	94050-06000	NUT, FLANGE, 6MM	1	
032	16576-891-000	HOLDER, CABLE	1	
033	93500-050160A	SCREW, PAN, 5X16	1	

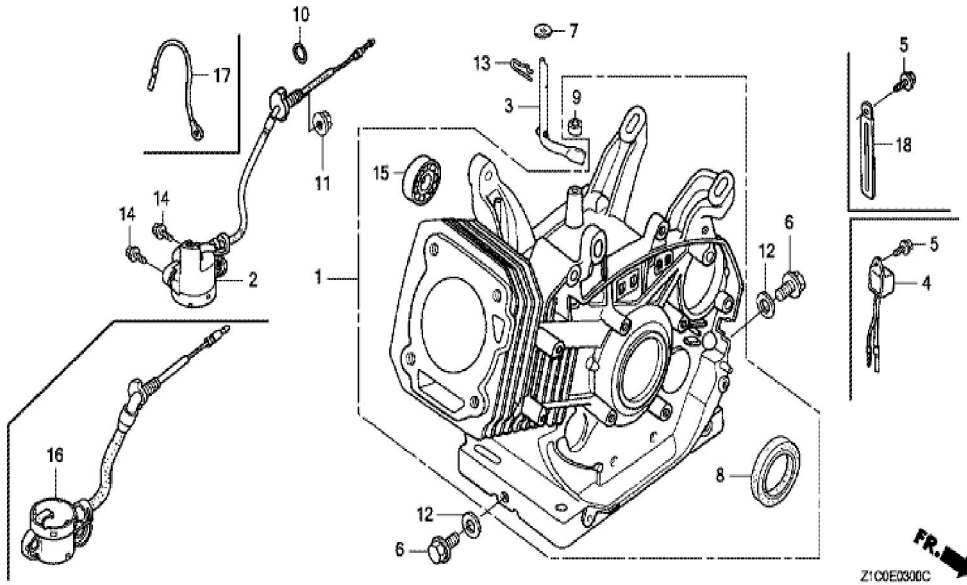
GX390T2(QX)	E-28 LABEL (1)
-------------	----------------



Z1C0E2800K

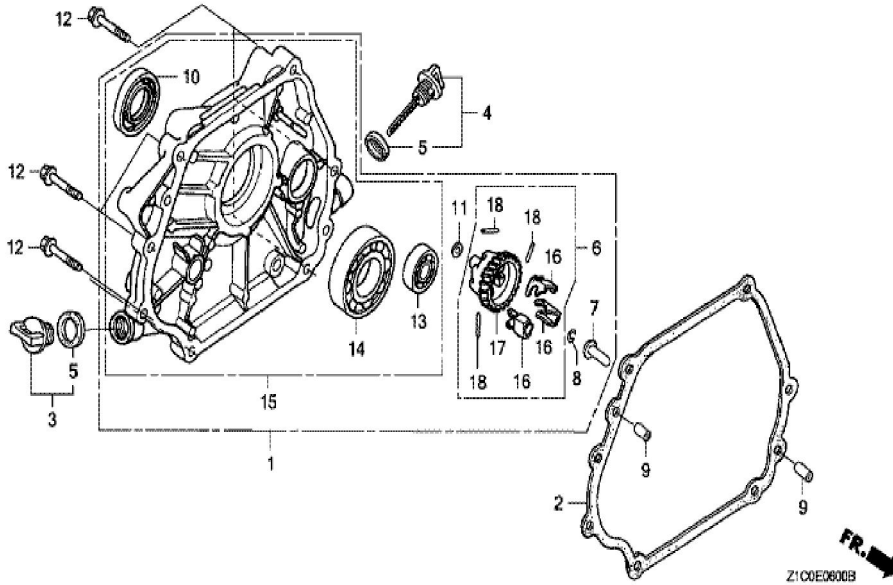
<u>Ref</u>	<u>Partnumber</u>	<u>Description</u>	<u>GX390T2</u>	<u>Serial Numbers</u>
003	87522-Z0T-800	LABEL, CAUTION	1	
009	87528-Z5T-000	MARK, CHOKE	1	
013	87114-ZH7-000	LABEL, WARNING (NOT CERTIFIED FOR SALE)	1	
015	87521-Z5T-000	EMBLEM (HONDA GX390)	1	
017	87532-ZH8-810	MARK, OIL ALERT (ENGLISH)	1	

GX390T2(QX)	E-3 CYLINDER BARREL
-------------	---------------------



<u>Ref</u>	<u>Partnumber</u>	<u>Description</u>	<u>GX390T2</u>	<u>Serial Numbers</u>
001	12000-Z5T-407	BARREL ASSY., CYLINDER (ALERT)	1	
003	16541-ZE3-010	SHAFT, GOVERNOR ARM	1	
006	90131-883-000	BOLT, DRAIN PLUG, 12X15	2	
007	90446-KE1-000	WASHER, 8.2X17X0.8	1	
008	91201-Z1C-003	OIL SEAL, 35X52X8	1	
009	91203-952-771	OIL SEAL, 8X14X5	1	
010	91353-671-004	O-RING, 14MM (NOK)	1	
011	94050-10000	NUT, FLANGE, 10MM	1	
012	94109-12000	WASHER, DRAIN PLUG, 12MM	2	
013	94251-10000	PIN, LOCK, 10MM	1	
014	95701-0601200	BOLT, FLANGE, 6X12	2	
015	96100-6202000	BEARING, RADIAL BALL, 6202	1	
016	35480-ZF6-003	SWITCH ASSY., OIL LEVEL	1	

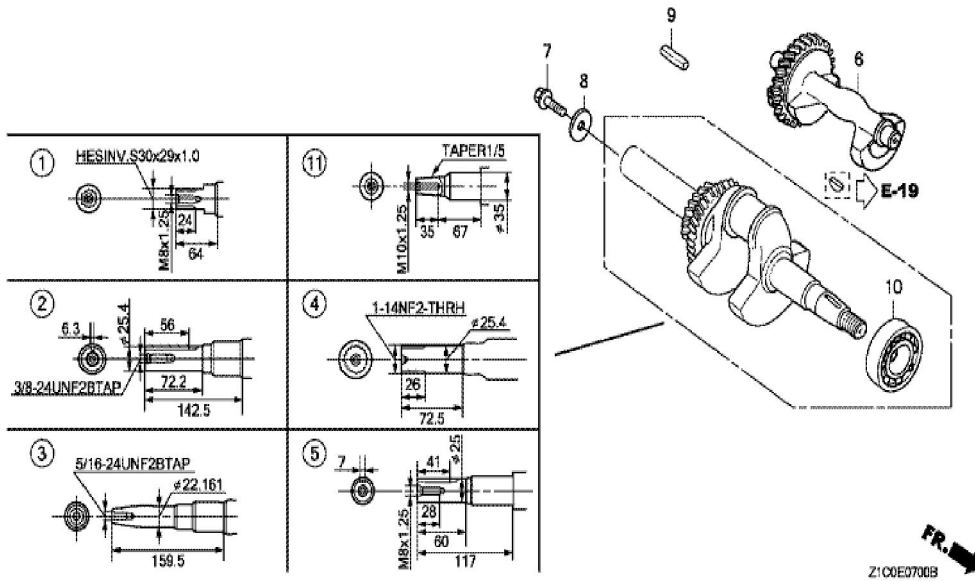
GX390T2(QX)	E-6 CRANKCASE COVER (1)
-------------	-------------------------



Ref	Partnumber	Description	GX390T2	Serial Numbers
001	11300-Z1C-600	COVER ASSY., CRANKCASE	1	
002	11381-Z5T-000	PACKING, CASE COVER	1	
002	11381-ZE3-801	PACKING, CASE COVER	1	
003	15600-Z0T-820	CAP ASSY., OIL FILLER	1	
004	15600-Z1C-000	CAP ASSY., OIL FILLER	1	
005	15625-Z0T-800	PACKING, OIL FILLER CAP	2	
006	16510-ZE3-000	GOVERNOR ASSY.	1	
007	16531-Z0A-000	SLIDER, GOVERNOR	1	
008	90602-ZE1-000	CLIP, GOVERNOR HOLDER	1	
009	90701-HC4-000	DOWEL PIN, 8X12	2	
010	91201-Z1C-003	OIL SEAL, 35X52X8	1	
011	94101-06800	WASHER, PLAIN, 6MM	1	
012	95701-0804000	BOLT, FLANGE, 8X40	7	

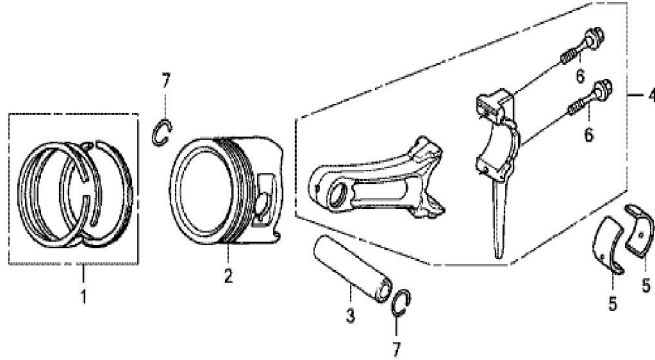
<u>Ref</u>	<u>Partnumber</u>	<u>Description</u>	<u>GX390T2</u>	<u>Serial Numbers</u>
013	96100-6202000	BEARING, RADIAL BALL, 6202	1	
014	96100-6207000	BEARING, RADIAL BALL, 6207	1	
016	16511-ZE8-000	WEIGHT, GOVERNOR	3	
017	16512-ZE3-000	HOLDER, GOVERNOR WEIGHT	1	
018	16513-ZE2-000	PIN, GOVERNOR WEIGHT	3	

GX390T2(QX)	E-7 CRANKSHAFT
-------------	----------------



Ref	Partnumber	Description	GX390T2	Serial Numbers
002	13310-ZF6-W12	CRANKSHAFT COMP.	1	
006	13351-ZE3-010	WEIGHT, BALANCER	1	
009	90745-ZE2-600	KEY, 6.3X6.3X43	1	
010	91001-ZF6-013	BEARING, RADIAL BALL, 6207SH	1	1284385

GX390T2(QX)	E-8 PISTON
-------------	------------

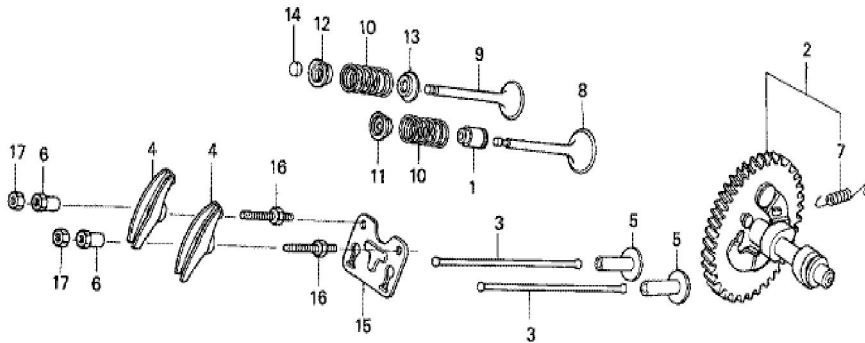


FR. Z1C0E0800A

<u>Ref</u>	<u>Partnumber</u>	<u>Description</u>	<u>GX390T2</u>	<u>Serial Numbers</u>
001	13010-Z5R-004	RING SET, PISTON (STD.) (TEIKOKU)	1	
001	13010-Z5T-003	RING SET, PISTON (STD.) (RIKEN)	1	
001	13011-Z5R-004	RING SET, PISTON (0.25) (TEIKOKU)	(1)	1450801
001	13011-Z5T-003	RING SET, PISTON (0.25) (RIKEN)	(1)	1450801
001	13012-Z5R-004	RING SET, PISTON (0.50) (TEIKOKU)	(1)	
001	13012-Z5T-003	RING SET, PISTON (0.50) (RIKEN)	(1)	1450801
001	13013-Z5R-004	RING SET, PISTON (0.75) (TEIKOKU)	(1)	1450801
001	13013-Z5T-003	RING SET, PISTON (0.75) (RIKEN)	(1)	
002	13101-Z5T-000	PISTON (STD.)	1	1438370
002	13101-Z5T-800	PISTON (STD.)	1	
002	13102-Z5T-000	PISTON (0.25)	(1)	1438370
002	13102-Z5T-800	PISTON (0.25)	(1)	
002	13103-Z5T-000	PISTON (0.50)	(1)	1438370

<u>Ref</u>	<u>Partnumber</u>	<u>Description</u>	<u>GX390T2</u>	<u>Serial Numbers</u>
002	13103-Z5T-800	PISTON (0.50)	(1)	
002	13104-Z5T-000	PISTON (0.75)	(1)	1438370
002	13104-Z5T-800	PISTON (0.75)	(1)	
003	13111-Z5T-000	PIN, PISTON	1	
003	13111-ZF6-W00	PIN, PISTON	1	
004	13200-Z1C-000	ROD ASSY., CONNECTING (STD.)	1	
004	13200-Z1C-305	ROD ASSY., CONNECTING (0.25 UNDER SIZE)	(1)	
006	90001-ZE8-000	BOLT, CONNECTING ROD	2	
007	90601-ZE3-000	CLIP, PISTON PIN, 20MM	2	

GX390T2(QX)	E-9 CAMSHAFT
-------------	--------------



FR. →

Z1C0-B0900

<u>Ref</u>	<u>Partnumber</u>	<u>Description</u>	<u>GX390T2</u>	<u>Serial Numbers</u>
001	12209-ZE8-003	SEAL, VALVE STEM	1	
002	14100-Z5T-810	CAMSHAFT ASSY.	1	
002	14100-ZF6-W01	CAMSHAFT ASSY.	1	
003	14410-Z1C-000	ROD, PUSH	2	
004	14431-ZE2-010	ARM, VALVE ROCKER	2	
005	14441-ZE2-000	LIFTER, VALVE	2	
006	14451-ZE1-013	PIVOT, ROCKER ARM	2	
007	14568-ZE1-000	SPRING, WEIGHT RETURN	1	
008	14711-Z5T-000	VALVE, IN.	1	
008	14711-ZE3-000	VALVE, IN.	1	
009	14721-Z5T-000	VALVE, EX.	1	
009	14721-ZE3-000	VALVE, EX.	1	
010	14751-Z1C-000	SPRING, VALVE	2	

<u>Ref</u>	<u>Partnumber</u>	<u>Description</u>	<u>GX390T2</u>	<u>Serial Numbers</u>
011	14771-Z8S-000	RETAINER, IN. VALVE SPRING	1	
012	14771-Z8S-000	RETAINER, IN. VALVE SPRING	1	
013	14775-ZE2-010	SEAT, VALVE SPRING	1	
014	14781-ZE2-000	ROTATOR, VALVE	1	
015	14791-Z1D-000	GUIDE, PUSH ROD	1	
016	90012-ZE0-010	BOLT, PIVOT, 8MM	2	
017	90206-ZE1-000	NUT, PIVOT ADJUSTING	2	