


 per/for **WEBER**

|                                  |                 |     |
|----------------------------------|-----------------|-----|
| <b>Motore/Engine 15LD 400/B1</b> |                 |     |
| cilindrata/displacement          | cm <sup>3</sup> | 401 |
| cilindri/cylinders               |                 | 1   |
| alesaggio/bore                   | mm              | 82  |
| corsa/stroke                     | mm              | 76  |

|                                    |  |
|------------------------------------|--|
| versioni/versions                  | - <i>avviatore autoavvolgente</i>      |
| <b>3B1930 - 3B1931 - 3B4910</b>    | - <i>decompressione automatica</i>     |
| <b>3A7613 - 3A7614 - 3A7616</b>    | - <i>avviamento elettrico 12V 20A</i>  |
| <b>3B1171</b>                      | - <b>recoil starting and automatic</b> |
| <b>3B13E0 (EPA) - 3B39E0 (EPA)</b> | <b>compression release</b>             |
| con/with                           | - <b>electric starter</b>              |

|                                 |  |
|---------------------------------|--|
| versione/version                | - <i>avviatore autoavvolgente</i>      |
| <b>3A7623 - 3A7624 - 3B4920</b> | - <i>decompressione automatica</i>     |
| con/with                        | - <b>recoil starting and automatic</b> |
|                                 | <b>compression release</b>             |

|                               |                 |     |
|-------------------------------|-----------------|-----|
| <b>Motore/Engine 15LD 440</b> |                 |     |
| cilindrata/displacement       | cm <sup>3</sup> | 442 |
| cilindri/cylinders            |                 | 1   |
| alesaggio/bore                | mm              | 86  |
| corsa/stroke                  | mm              | 76  |

|                                    |  |
|------------------------------------|--|
| versione/version                   | - <i>avviatore autoavvolgente</i>      |
| <b>3B0251 - 3B0254 - 3B4950</b>    | - <i>decompressione automatica</i>     |
| <b>3B28E2 (EPA) - 3B40E0 (EPA)</b> | - <i>avviamento elettrico 12V 20A</i>  |
| con/with                           | - <b>recoil starting and automatic</b> |
|                                    | <b>compression release</b>             |
|                                    | - <b>electric starter</b>              |

|                            |                                |
|----------------------------|--------------------------------|
| <b>INDICE DELLE TAVOLE</b> | <b>SPARE PARTS TABLE INDEX</b> |
|----------------------------|--------------------------------|

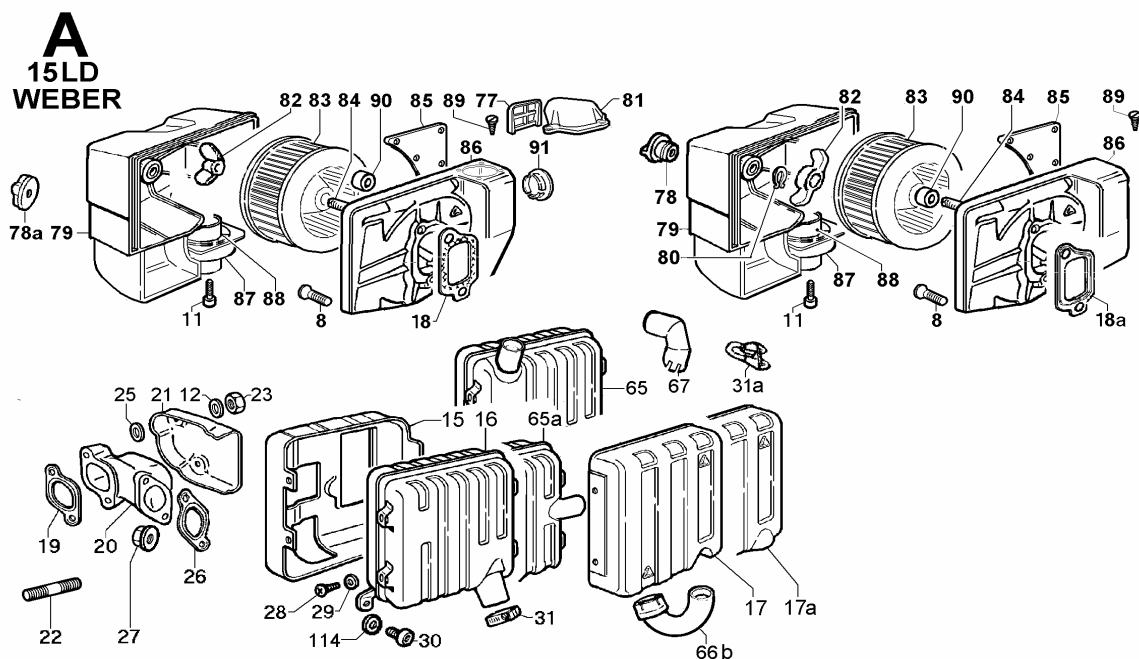
|            |                                     |  |   |
|------------|-------------------------------------|--|---|
| Tav./Table | <b>A 1-A 2-A 3</b>                  | <b>ASPIRAZIONE E SCARICO</b>   | <b>INTAKE AND EXHAUST</b>   |
| Tav./Table | <b>B 1-B 2-B 3-<br/>B 4</b>         | <b>BIELLA/PISTONE<br/>ALBERO A GOMITO<br/>VOLANO/BASAMENTO<br/>FLANGIATURA</b> | <b>CONNECTING ROD/PISTON<br/>CRANKSHAFT<br/>FLYWHEEL/CRANKCASE<br/>FLANGING</b> |
| Tav./Table | <b>C 1-C 2-C 3-<br/>C 4-C 5-C 6</b> | <b>TESTA/CAPPELLO BIL.<br/>VALVOLE/DISTRIBUZIONE<br/>REGOLATORE GIRI</b>       | <b>CYLINDER HEAD<br/>ROCKER ARM BOX/VALVES<br/>TIMING/SPEED GOVERNOR</b>        |
| Tav./Table | <b>D 1-D 2-D 3-<br/>D 4</b>         | <b>COMANDI<br/>CIRCUITO LUBRIFICAZIONE</b>                                     | <b>CONTROLS<br/>LUBRICATING SYSTEM</b>  |
| Tav./Table | <b>E 1-E 2-E 3</b>                  | <b>CIRCUITO COMBUSTIBILE</b>   | <b>FUEL SYSTEM</b>  |
| Tav./Table | <b>F 1-F 2</b>                      | <b>RAFFREDDAMENTO<br/>AVVIAMENTO<br/>PARTI ELETTRICHE</b>                      | <b>COOLING SYSTEM<br/>STARTING<br/>ELECTRICAL EQUIPMENT</b>                     |

edizione/issue luglio/july 2006

La Lombardini si riserva il diritto di modificare in qualunque momento i dati contenuti in questa pubblicazione  
 Data reported in this issue can be modified at any time by Lombardini

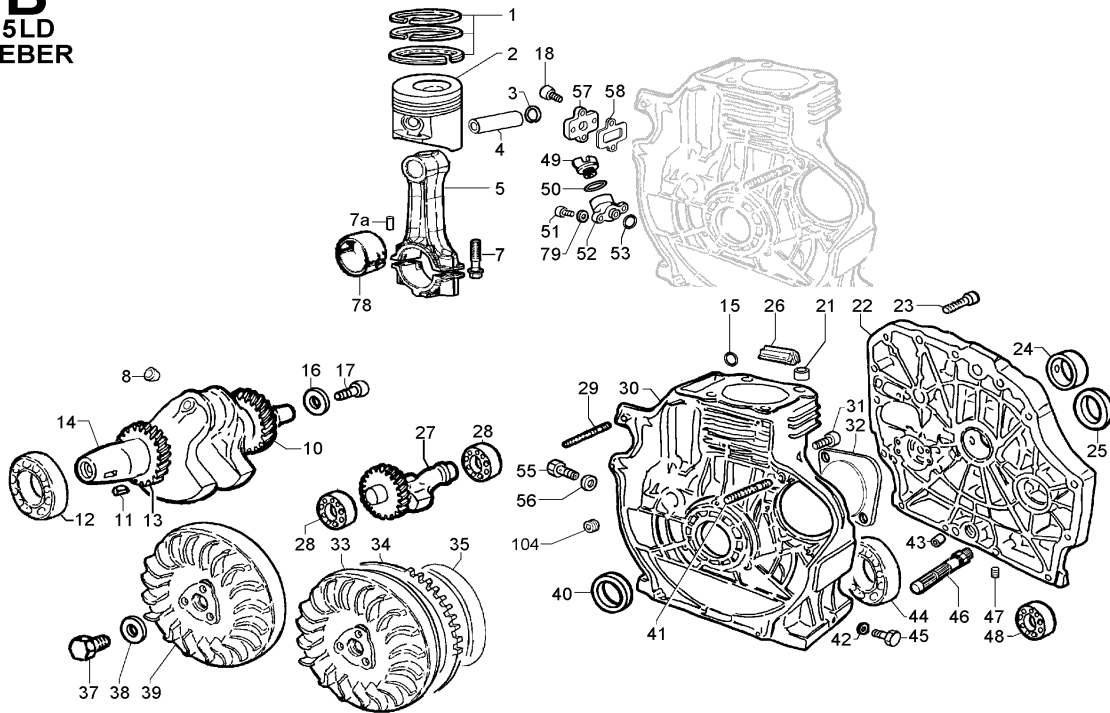






| Versione <b>K</b><br>Version |                       | 3B1930   | 3B1931 | 3B4910 | 3A7613 | 3A7614 | 3A7616 | 3A7623 | 3A7624 | 3B4920 | 3B1171 | 3B13E0 | 3B39E0   | 3B0251 | 3B0254 | 3B4950 | 3B28E2 | 3B40E0      |   |                              |
|------------------------------|-----------------------|----------|--------|--------|--------|--------|--------|--------|--------|--------|--------|--------|----------|--------|--------|--------|--------|-------------|---|------------------------------|
| Pos.                         | Matricola<br>Part No. | 15LD 400 |        |        |        |        |        |        |        |        |        |        | 15LD 440 |        |        |        |        | Descrizione | Description   |                              |
|                              |                       | B/1      | B/1    | B/1    | B/1    | B/1    | B/1    | B/1    | B/1    | B/1    | B/1    | B/1    | B/1      | B/1    | B/1    | B/1    | B/1    |             |   | B/1                          |
| A 85                         | 2836.340              | 1        | 1      | 1      | 1      | 1      | 1      | 1      | 1      | 1      | 1      | 1      | 1        | 1      | 1      | 1      | 1      | 1           | corpo filtro aria   | air cleaner body             |
| A 86                         | 8741.206              | 1        | 1      | 1      | 1      | 1      | 1      | 1      | 1      | 1      | 1      | 1      | 1        | 1      | 1      | 1      | 1      | 1           | SUPPORTO FILTRO ARIA<br>Pos. 77+81+85+86+91 (ex 8741.186) | AIR CL.SUPPORT ASS.Y         |
| A 87                         | 6727.051              | 1        | 1      | 1      | 1      | 1      | 1      | 1      | 1      | 1      | 1      | 1      | 1        | 1      | 1      | 1      | 1      | 1           | corpo porta prefiltra                                     | prefilter holder             |
| A 88                         | 6727.052              | 1        | 1      | 1      | 1      | 1      | 1      | 1      | 1      | 1      | 1      | 1      | 1        | 1      | 1      | 1      | 1      | 1           | prefiltro a ciclone                                       | cyclonic prefilter           |
| A 89                         | 9820.168              | 13       | 13     | 13     | 13     | 13     | 13     | 13     | 13     | 13     | 13     | 13     | 13       | 13     | 13     | 13     | 13     | 13          | vite autofil. 3,9 X 9,5                                   | self-tapping screw 3,9 X 9,5 |
| A 90                         | 4490.092              | 1        | 1      | 1      | 1      | 1      | 1      | 1      | 1      | 1      | 1      | 1      | 1        | 1      | 1      | 1      | 1      | 1           | guarnizione   | joint                        |
| A 91                         | «———»                 |          |        |        |        |        |        |        |        |        |        |        |          |        |        |        |        |             | tappo - vedi Pos. A 86                                    | plug - see Pos. A 86         |
| A114                         | 7500.020              | 1        | 1      | 1      | 1      | 1      | 1      | 1      | 1      | 1      | 1      | 1      | 1        | 1      | 1      | 1      | 1      | 1           | rondella diam. 8,4  | washer diam. 8,4             |

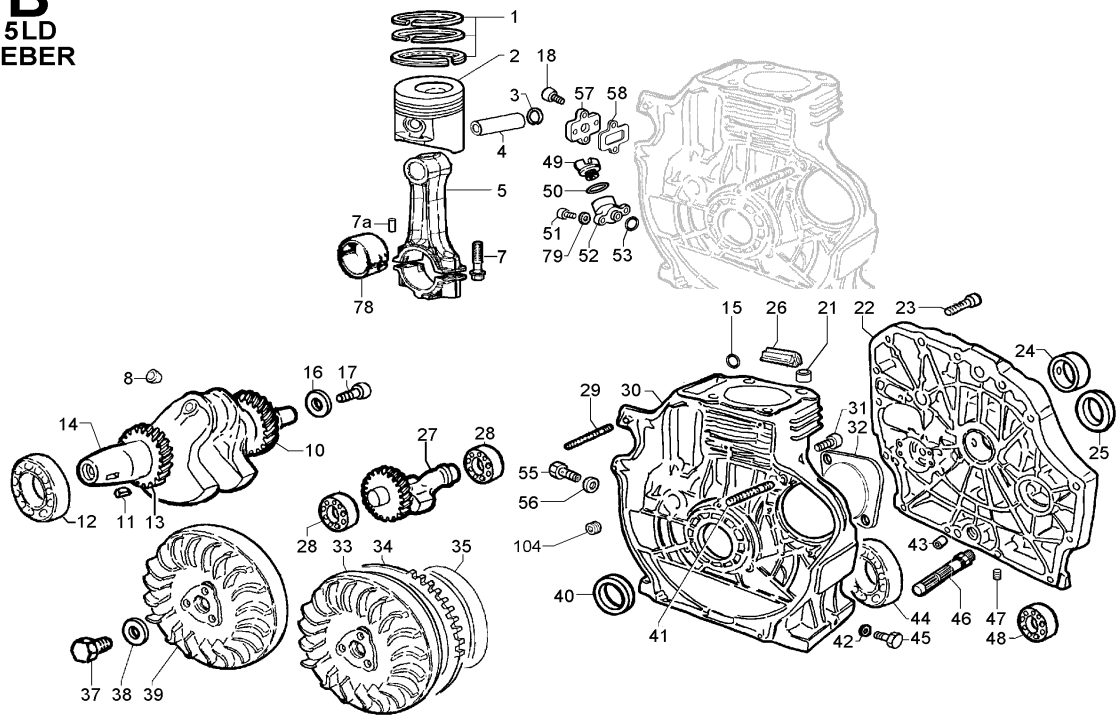
**B**  
15LD  
WEBER



| Versione <b>K</b><br>Version |                       | 3B1930   | 3B1931 | 3B4910 | 3A7613 | 3A7614 | 3A7616 | 3A7623 | 3A7624 | 3B4920 | 3B1171 | 3B13E0 | 3B39E0   | 3B0251   | 3B0254 | 3B4950 | 3B28E2 | 3B40E0      |  |                                       |
|------------------------------|-----------------------|----------|--------|--------|--------|--------|--------|--------|--------|--------|--------|--------|----------|----------|--------|--------|--------|-------------|--|---------------------------------------|
| Pos.                         | Matricola<br>Part No. | 15LD 400 |        |        |        |        |        |        |        |        |        |        | 15LD 440 |          |        |        |        | Descrizione | Description                            |                                       |
|                              |                       | B/I      | B/I    | B/I    | B/I    | B/I    | B/I    | B/I    | B/I    | B/I    | B/I    | B/I    | B/EPA II | B/EPA II |        |        | EPA II |             |  | EPA II                                |
| B 1                          | 8211.239              | 1        | 1      | 1      | 1      | 1      | 1      | 1      | 1      | 1      | 1      | 1      | 1        | ---      | ---    | ---    | ---    | ---         | serie segmenti std.                    | ring set std.                         |
| B 1                          | 8211.240              | 1        | 1      | 1      | 1      | 1      | 1      | 1      | 1      | 1      | 1      | 1      | 1        | ---      | ---    | ---    | ---    | ---         | serie segmenti +0,50                   | ring set +0,50                        |
| B 1                          | 8211.241              | 1        | 1      | 1      | 1      | 1      | 1      | 1      | 1      | 1      | 1      | 1      | 1        | ---      | ---    | ---    | ---    | ---         | serie segmenti +1,00                   | ring set +1,00                        |
| B 1                          | 8211.260              | ---      | ---    | ---    | ---    | ---    | ---    | ---    | ---    | ---    | ---    | ---    | ---      | 1        | 1      | 1      | 1      | 1           | serie segmenti std.                    | ring set std.                         |
| B 1                          | 8211.261              | ---      | ---    | ---    | ---    | ---    | ---    | ---    | ---    | ---    | ---    | ---    | ---      | 1        | 1      | 1      | 1      | 1           | serie segmenti +0,50                   | ring set +0,50                        |
| B 1                          | 8211.262              | ---      | ---    | ---    | ---    | ---    | ---    | ---    | ---    | ---    | ---    | ---    | ---      | 1        | 1      | 1      | 1      | 1           | serie segmenti +1,00                   | ring set +1,00                        |
| B 2                          | 6502.188              | 1        | 1      | 1      | 1      | 1      | 1      | 1      | 1      | 1      | 1      | ---    | ---      | ---      | ---    | ---    | ---    | ---         | PISTONE COMPL. std.                    | PISTON SET std <b>ex 6501.769</b>     |
| B 2                          | 6502.189              | 1        | 1      | 1      | 1      | 1      | 1      | 1      | 1      | 1      | 1      | ---    | ---      | ---      | ---    | ---    | ---    | ---         | PISTONE COMPL. +0,50                   | PISTON SET +0,50 <b>ex 6501.770</b>   |
| B 2                          | 6502.190              | 1        | 1      | 1      | 1      | 1      | 1      | 1      | 1      | 1      | 1      | ---    | ---      | ---      | ---    | ---    | ---    | ---         | PISTONE COMPL. +1,00                   | PISTON SET +1,00 <b>ex 6501.771</b>   |
| B 2                          | 6502.191              | ---      | ---    | ---    | ---    | ---    | ---    | ---    | ---    | ---    | ---    | 1      | 1        | ---      | ---    | ---    | ---    | ---         | PISTONE COMPL. std. EPA                | PISTON SET std EPA <b>ex 6501.977</b> |
| B 2                          | 6501.891              | ---      | ---    | ---    | ---    | ---    | ---    | ---    | ---    | ---    | ---    | ---    | ---      | 1        | 1      | 1      | ---    | ---         | PISTONE COMPL. std.                    | PISTON SET std                        |
| B 2                          | 6501.892              | ---      | ---    | ---    | ---    | ---    | ---    | ---    | ---    | ---    | ---    | ---    | ---      | 1        | 1      | 1      | ---    | ---         | PISTONE COMPL. +0,50                   | PISTON SET +0,50                      |
| B 2                          | 6501.893              | ---      | ---    | ---    | ---    | ---    | ---    | ---    | ---    | ---    | ---    | ---    | ---      | 1        | 1      | 1      | ---    | ---         | PISTONE COMPL. +1,00                   | PISTON SET +1,00                      |
| B 2                          | 6502.125              | ---      | ---    | ---    | ---    | ---    | ---    | ---    | ---    | ---    | ---    | ---    | ---      | ---      | ---    | ---    | 1      | 1           | PISTONE COMPL. std. EPA                | PISTON SET std EPA                    |
| B 3                          | 1160.065              | 2        | 2      | 2      | 2      | 2      | 2      | 2      | 2      | 2      | 2      | 2      | 2        | 2        | 2      | 2      | 2      | 2           | Pos. 1-2-3-4<br>anello                 | circlip                               |
| B 4                          | 8480.103              | 1        | 1      | 1      | 1      | 1      | 1      | 1      | 1      | 1      | 1      | 1      | 1        | 1        | 1      | 1      | 1      | 1           | spinotto                               | gudgeon pin                           |
| B 5                          | 1526.249              | 1        | ---    | ---    | 1      | ---    | ---    | 1      | ---    | ---    | ---    | ---    | ---      | 1        | ---    | ---    | ---    | ---         | BIELLA COMPLETA std.                   | CONNECT.ROD std.                      |
| B 5                          | 1526.250              | 1        | ---    | ---    | 1      | ---    | ---    | 1      | ---    | ---    | ---    | ---    | ---      | 1        | ---    | ---    | ---    | ---         | BIELLA COMPLETA -0,25                  | CONNECT.ROD -0,25                     |
| B 5                          | 1526.251              | 1        | ---    | ---    | 1      | ---    | ---    | 1      | ---    | ---    | ---    | ---    | ---      | 1        | ---    | ---    | ---    | ---         | BIELLA COMPLETA -0,50                  | CONNECT.ROD -0,50                     |
| B 5                          | 1526.264              | ---      | 1      | 1      | ---    | 1      | 1      | ---    | 1      | 1      | ---    | 1      | 1        | ---      | 1      | 1      | 1      | 1           | Pos. 5-7<br>BIELLA COMPLETA in acciaio | CONNECT.ROD (steel)                   |

|                |  |   |
|----------------|--|---|
| Tav./Table B/2 | <b>BIELLA/PISTONE/ALBERO GOMITO<br/>VOLANO/BASAMENTO<br/>FLANGIATURA</b> | <b>CONN.ROD/PISTON/CRANKSHAFT<br/>FLYWHEEL/CRANKCASE<br/>FLANGING</b> |
|----------------|--|---|

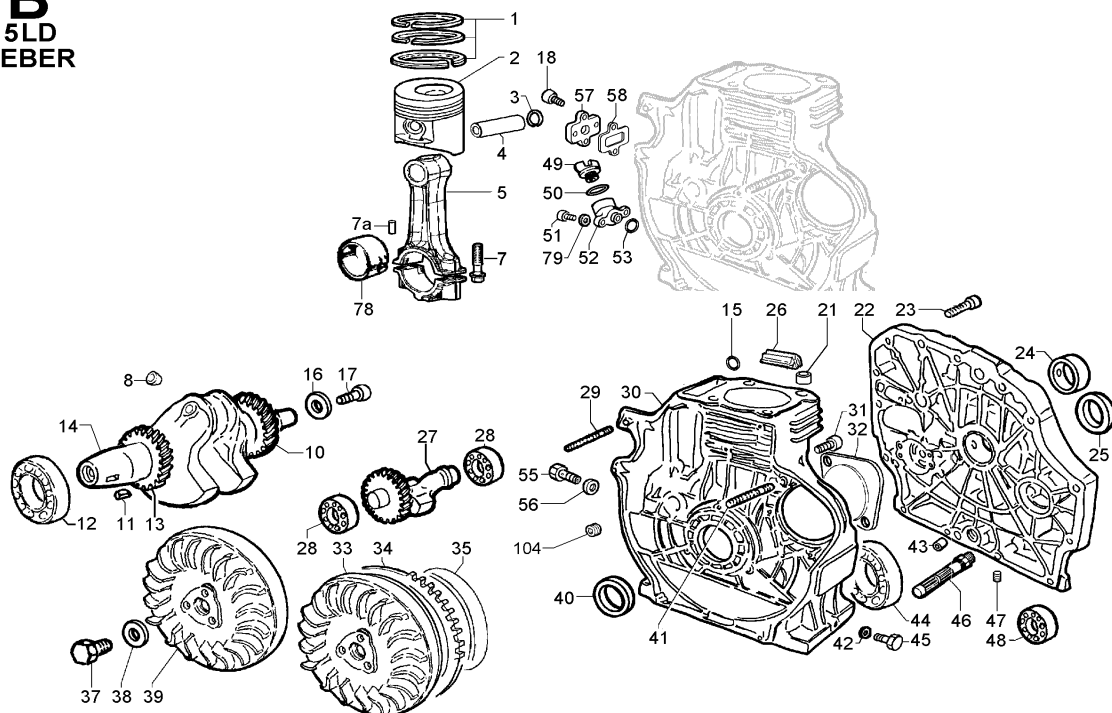
**B**  
15LD  
WEBER



| Versione <b>K</b><br>Version |                       | 3B1930   | 3B1931 | 3B4910 | 3A7613 | 3A7614 | 3A7616 | 3A7623 | 3A7624 | 3B4920 | 3B1171 | 3B13E0 | 3B39E0   | 3B0251   | 3B0254 | 3B4950 | 3B28E2      | 3B40E0      |   |   |   |
|------------------------------|-----------------------|----------|--------|--------|--------|--------|--------|--------|--------|--------|--------|--------|----------|----------|--------|--------|-------------|-------------|---|---|---|
| Pos.                         | Matricola<br>Part No. | 15LD 400 |        |        |        |        |        |        |        |        |        |        | 15LD 440 |          |        |        | Descrizione | Description |   |   |   |
|                              |                       | B/I      | B/I    | B/I    | B/I    | B/I    | B/I    | B/I    | B/I    | B/I    | B/I    | B/I    | B/EPA II | B/EPA II |        |        |             |             | EPA II  | EPA II  |   |
| B 7                          | 1770.101              | 2        |        |        | 2      |        |        |        |        |        |        |        |          | 2        |        |        |             |             |   | bullone M 8 X 1 X 42                                | bolt M 8 X 1 X 42                               |
| B 7                          | 1770.177              |          | 2      | 2      |        | 2      | 2      |        | 2      | 2      | 2      | 2      | 2        |          | 2      | 2      | 2           | 2           |   | bullone per biella in acc. M 8 X 1 X 42             | bolt for steel connecting rod                   |
| B 7a                         | 7770.256              |          | 2      | 2      |        | 2      | 2      |        | 2      | 2      | 2      | 2      | 2        |          | 2      | 2      | 2           | 2           |   | rullino 3 X 5                                       | roller 3 X 5                                    |
| B 8                          | 9080.132              | 1        | 1      | 1      | 1      | 1      | 1      | 1      | 1      | 1      | 1      | 1      | 1        | 1        | 1      | 1      | 1           | 1           |   | tappo d.6   | plug diam. 6                                    |
| B 10                         | «———»                 |          |        |        |        |        |        |        |        |        |        |        |          |          |        |        |             |             |   | vedi Pos. 14  | see Pos. 14                                     |
| B 11                         | 2280.067              | 1        | 1      | 1      | 1      | 1      | 1      | 1      | 1      | 1      | 1      | 1      | 1        | 1        | 1      | 1      | 1           | 1           |   | chiavetta 5 X 7,5 X 19                              | key 5 X 7,5 X 19                                |
| B 12                         | 3002.081              | 1        | 1      | 1      | 1      | 1      | 1      | 1      | 1      | 1      | 1      | 1      | 1        | 1        | 1      | 1      | 1           | 1           |   | cuscinetto 6308-C3                                  | ball bearing 6308-C3                            |
| B 13                         | «———»                 |          |        |        |        |        |        |        |        |        |        |        |          |          |        |        |             |             |   | vedi Pos.14   | see Pos.14                                      |
| B 14                         | 1051.130              | 1        |        |        | 1      |        |        |        |        |        |        |        |          | 1        |        |        |             |             |   | ALBERO GOM.CONICO std<br>con ingranaggio per equil. | CONICAL PTO CRANKSHAFT<br>with equalizer device |
| B 14                         | 1051.230              |          | 1      | 1      |        | 1      | 1      |        | 1      | 1      | 1      | 1      | 1        |          | 1      | 1      | 1           | 1           | ALBERO GOM.CONICO std<br>con ingranaggio per equil.<br>Pos. 8-10-11-13-14 | CONICAL PTO CRANKSHAFT<br>with equalizer device     |   |
| B 15                         | 1200.035              | 1        | 1      | 1      | 1      | 1      | 1      | 1      | 1      | 1      | 1      | 1      | 1        | 1        | 1      | 1      | 1           | 1           |   | anello OR 107                                       | O ring 107                                      |
| B 16                         | 7625.060              | 1        | 1      | 1      | 1      | 1      | 1      | 1      | 1      | 1      | 1      | 1      | 1        | 1        | 1      | 1      | 1           | 1           |   | rondella diam. 8,4                                  | washer diam. 8,4                                |
| B 17                         | 1770.039              | 1        | 1      | 1      | 1      | 1      | 1      | 1      | 1      | 1      | 1      | 1      | 1        | 1        | 1      | 1      | 1           | 1           |   | bullone M 8 X 1,25 X 28                             | bolt M 8 X 1,25 X 28                            |
| B 18                         | 9730.024              | 2        | 2      | 2      | 2      | 2      | 2      | 2      | 2      | 2      | 2      | 2      | 2        | 2        | 2      | 2      | 2           | 2           |   | vite M 8 X 16                                       | screw M 8 X 16                                  |
| B 21                         | 1970.140              | 2        | 2      | 2      | 2      | 2      | 2      | 2      | 2      | 2      | 2      | 2      | 2        | 2        | 2      | 2      | 2           | 2           |   | bussola centraggio                                  | sleeve  |
| B 22                         | 6645.712              | 1        | 1      | 1      | 1      | 1      | 1      | 1      | 1      | 1      | 1      | 1      | 1        | 1        | 1      | 1      | 1           | 1           |   | PORTINA<br>Pos. 22-24 std-47                        | CRANKCASE COVER <b>ex 6645.596</b>              |
| B 23                         | 9730.031              | 15       | 15     | 15     | 15     | 15     | 15     | 15     | 15     | 15     | 15     | 15     | 15       | 15       | 15     | 15     | 15          | 15          |   | vite M 8 X 40                                       | screw M 8 X 40                                  |

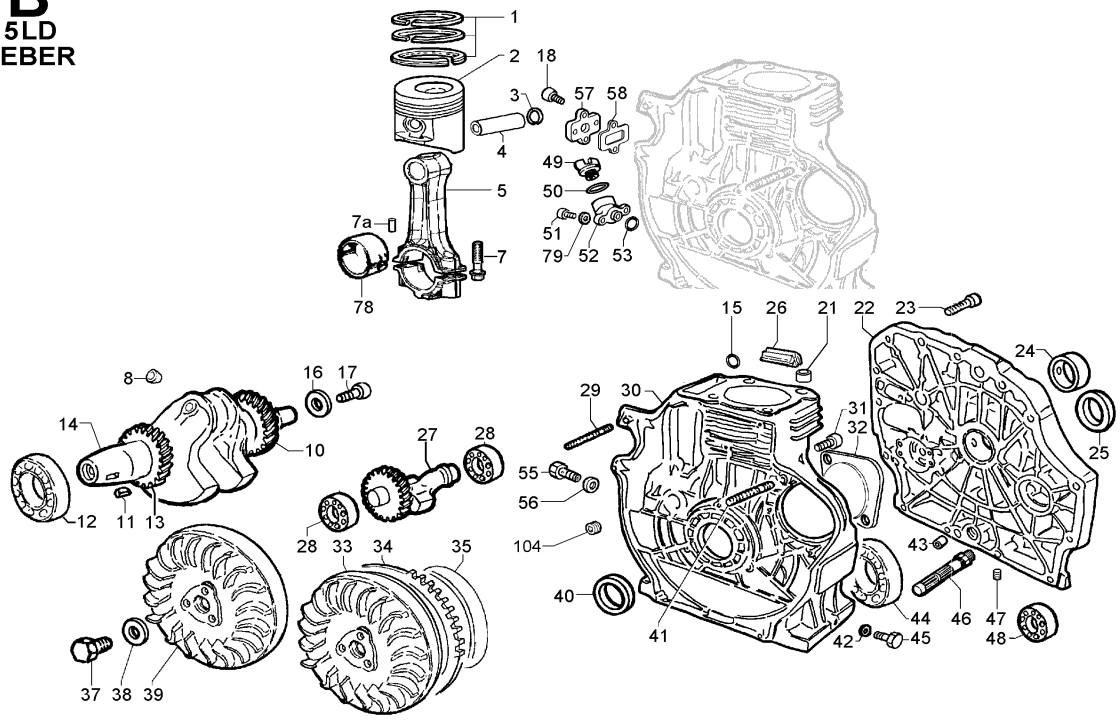
|                |  |   |
|----------------|--|---|
| Tav./Table B/3 | <b>BIELLA/PISTONE/ALBERO GOMITO<br/>VOLANO/BASAMENTO<br/>FLANGIATURA</b> | <b>CONN.ROD/PISTON/CRANKSHAFT<br/>FLYWHEEL/CRANKCASE<br/>FLANGING</b> |
|----------------|--|---|

**B**  
15LD  
WEBER



| Versione <b>K</b><br>Version |                       | 3B1930   | 3B1931 | 3B4910 | 3A7613 | 3A7614 | 3A7616 | 3A7623 | 3A7624 | 3B4920 | 3B1171 | 3B13E0   | 3B39E0   | 3B0251 | 3B0254 | 3B4950      | 3B28E2      | 3B40E0 |                                 |                              |
|------------------------------|-----------------------|----------|--------|--------|--------|--------|--------|--------|--------|--------|--------|----------|----------|--------|--------|-------------|-------------|--------|---------------------------------|------------------------------|
| Pos.                         | Matricola<br>Part No. | 15LD 400 |        |        |        |        |        |        |        |        |        | 15LD 440 |          |        |        | Descrizione | Description |        |                                 |                              |
|                              |                       | B/I      | B/I    | B/I    | B/I    | B/I    | B/I    | B/I    | B/I    | B/I    | B/I    | B/EPA II | B/EPA II |        |        |             |             | EPA II | EPA II                          |                              |
| B 24                         | 1611.209              | 1        | 1      | 1      | 1      | 1      | 1      | 1      | 1      | 1      | 1      | 1        | 1        | 1      | 1      | 1           | 1           | 1      | bronzina std.                   | bearing std.                 |
| B 24                         | 1611.210              | 1        | 1      | 1      | 1      | 1      | 1      | 1      | 1      | 1      | 1      | 1        | 1        | 1      | 1      | 1           | 1           | 1      | bronzina -0,25                  | bearing -0,25                |
| B 24                         | 1611.211              | 1        | 1      | 1      | 1      | 1      | 1      | 1      | 1      | 1      | 1      | 1        | 1        | 1      | 1      | 1           | 1           | 1      | bronzina -0,50                  | bearing -0,50                |
| B 24                         | 1611.212              | 1        | 1      | 1      | 1      | 1      | 1      | 1      | 1      | 1      | 1      | 1        | 1        | 1      | 1      | 1           | 1           | 1      | bronzina -1,00                  | bearing -1,00                |
| B 25                         | 1213.390              | 1        | 1      | 1      | 1      | 1      | 1      | 1      | 1      | 1      | 1      | 1        | 1        | 1      | 1      | 1           | 1           | 1      | anello paraolio 30X50X7         | seal ring 30X50X7            |
| B 26                         | 4775.588              | 1        | 1      | 1      | 1      | 1      | 1      | 1      | 1      | 1      | 1      | 1        | 1        | 1      | 1      | 1           | 1           | 1      | guarnizione                     | gasket                       |
| B 27                         | 1111.216              | 1        |        |        | 1      |        |        |        | 1      |        |        |          |          | 1      |        |             |             |        | albero equil.compl.             | equalizer shaft              |
| B 27                         | 1111.267              |          | 1      | 1      |        | 1      | 1      |        |        | 1      | 1      | 1        | 1        |        | 1      | 1           | 1           | 1      | albero equil.compl.             | equalizer shaft              |
| B 28                         | 3002.077              | 2        | 2      | 2      | 2      | 2      | 2      | 2      | 2      | 2      | 2      | 2        | 2        | 2      | 2      | 2           | 2           | 2      | cuscinetto alb.controrot.       | equalizer shaft ball bearing |
| B 29                         | 6780.180              | 1        | 1      | 1      | 1      | 1      | 1      | 1      | 1      | 1      | 1      | 1        | 1        | 1      | 1      | 1           | 1           | 1      | prigioniero M 8 X 67            | stud M 8 X 67                |
| B 30                         | 1510.959              | 1        | 1      | 1      | 1      | 1      | 1      | 1      | 1      | 1      | 1      | 1        | 1        |        |        |             |             |        | basamento                       | crankcase                    |
| B 30                         | 1510.977              |          |        |        |        |        |        |        |        |        |        |          |          | 1      | 1      | 1           | 1           | 1      | basamento                       | crankcase                    |
| B 31                         | 9732.041              |          |        |        |        |        |        | 2      |        | 2      |        |          |          |        |        |             |             |        | vite M 10 X 18                  | screw M 10 X 18              |
| B 32                         | 3800.058              |          |        |        |        |        |        | 1      |        | 1      |        |          |          |        |        |             |             |        | flangia chusura foro            | flange                       |
| B 33                         | 9881.359              | 1        | 1      | 1      | 1      | 1      | 1      |        | 1      |        | 1      | 1        | 1        | 1      | 1      | 1           | 1           | 1      | VOLANO con CORONA<br>Pos. 33-34 | FLYWHELL with CROWN          |
| B 34                         | 2816.204              | 1        | 1      | 1      | 1      | 1      | 1      |        | 1      |        | 1      | 1        | 1        | 1      | 1      | 1           | 1           | 1      | corona avviamento Z=94          | crown gear Z=94              |
| B 35                         | «———»                 |          |        |        |        |        |        |        |        |        |        |          |          |        |        |             |             |        | vedi Pos. F 40                  | see Pos. F 40                |
| B 37                         | 1800.030              | 1        | 1      | 1      | 1      | 1      | 1      | 1      | 1      | 1      | 1      | 1        | 1        | 1      | 1      | 1           | 1           | 1      | bullone M 14 X 35 sin.          | bolt M 14 X 35 sin.          |
| B 38                         | 7626.043              | 1        | 1      | 1      | 1      | 1      | 1      | 1      | 1      | 1      | 1      | 1        | 1        | 1      | 1      | 1           | 1           | 1      | rondella d.14,5                 | washer diam.14,5             |
| B 39                         | 9881.308              |          |        |        |        |        |        | 1      |        | 1      |        |          |          |        |        |             |             |        | volano std.                     | flywheel std.                |
| B 40                         | 1213.396              | 1        | 1      | 1      | 1      | 1      | 1      | 1      | 1      | 1      | 1      | 1        | 1        | 1      | 1      | 1           | 1           | 1      | anello paraolio 40X55X7         | seal ring 40X55X7            |
| B 41                         | 6780.180              | 1        | 1      | 1      | 1      | 1      | 1      | 1      | 1      | 1      | 1      | 1        | 1        | 1      | 1      | 1           | 1           | 1      | prigioniero M 8 X 67            | stud M 8 X 67                |

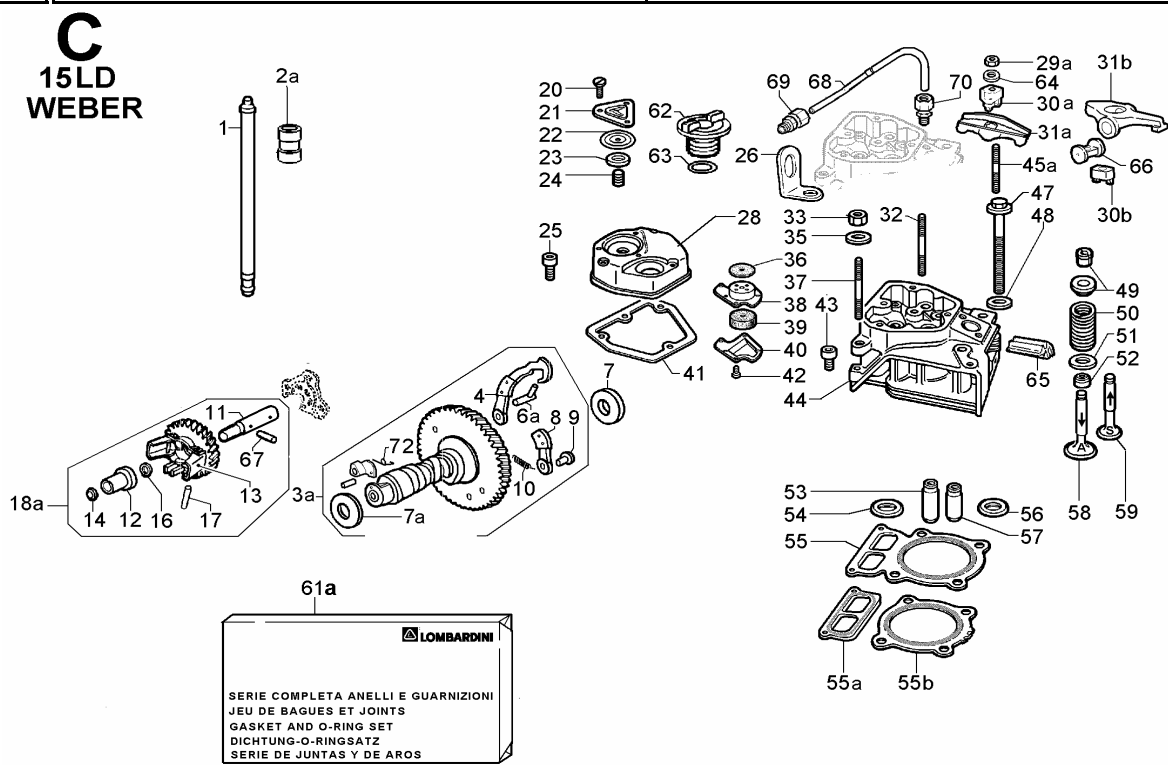
**B**  
15LD  
WEBER



| Versione <b>K</b><br>Version |                       | 3B1930   | 3B1931 | 3B4910 | 3A7613 | 3A7614 | 3A7616 | 3A7623 | 3A7624 | 3B4920 | 3B1171 | 3B13E0   | 3B39E0   | 3B0251 | 3B0254 | 3B4950 | 3B28E2      | 3B40E0      |                                |                             |
|------------------------------|-----------------------|----------|--------|--------|--------|--------|--------|--------|--------|--------|--------|----------|----------|--------|--------|--------|-------------|-------------|--------------------------------|-----------------------------|
| Pos.                         | Matricola<br>Part No. | 15LD 400 |        |        |        |        |        |        |        |        |        |          | 15LD 440 |        |        |        | Descrizione | Description |                                |                             |
|                              |                       | B/I      | B/I    | B/I    | B/I    | B/I    | B/I    | B/I    | B/I    | B/I    | B/I    | B/EPA II | B/EPA II |        |        | EPA II |             |             | EPA II                         |                             |
| B 42                         | 4350.007              | 2        | 2      | 2      | 2      | 2      | 2      | 2      | 2      | 2      | 2      | 2        | 2        | 2      | 2      | 2      | 2           | 2           | guarnizione                    | gasket                      |
| B 43                         | 1970.338              | 2        | 2      | 2      | 2      | 2      | 2      | 2      | 2      | 2      | 2      | 2        | 2        | 2      | 2      | 2      | 2           | 2           | boccola                        | bushing                     |
| B 44                         | «———»                 |          |        |        |        |        |        |        |        |        |        |          |          |        |        |        |             |             | vedi Pos. 12                   | see Pos. 12                 |
| B 45                         | 9040.012              | 2        | 2      | 2      | 2      | 2      | 2      | 2      | 2      | 2      | 2      | 2        | 2        | 2      | 2      | 2      | 2           | 2           | tappo M 14                     | plug M 14                   |
| B 46                         | 3740.109              | 1        | 1      | 1      | 1      | 1      | 1      | 1      | 1      | 1      | 1      | 1        | 1        | 1      | 1      | 1      | 1           | 1           | filtro aspirazione olio        | suction oil filter          |
| B 47                         | 9765.108              | 2        | 2      | —      | 2      | 2      | —      | 2      | 2      | —      | 2      | 2        | —        | 2      | —      | —      | —           | —           | vite M 10 X 1,5                | screw M 10 X 1,5            |
| B 47                         | 9765.162              | 2        | 2      | 2      | 2      | 2      | 2      | 2      | 2      | 2      | 2      | 2        | 2        | 2      | 2      | 2      | 2           | 2           | vite M 10 X 1                  | screw M 10 X 1              |
| B 48                         | «———»                 |          |        |        |        |        |        |        |        |        |        |          |          |        |        |        |             |             | vedi Pos. 28                   | see Pos. 28                 |
| B 49                         | 9032.086              | 1        | 1      | 1      | 1      | 1      | 1      | 1      | 1      | 1      | 1      | 1        | 1        | 1      | 1      | 1      | 1           | 1           | tappo rif.olio                 | filler oil cap              |
| B 50                         | 1200.082              | 1        | 1      | 1      | 1      | 1      | 1      | 1      | 1      | 1      | 1      | 1        | 1        | 1      | 1      | 1      | 1           | 1           | anello OR 3106                 | O ring 3106                 |
| B 51                         | 9730.010              | 2        | 2      | 2      | 2      | 2      | 2      | 2      | 2      | 2      | 2      | 2        | 2        | 2      | 2      | 2      | 2           | 2           | vite M 6 X 16                  | screw M 6 X 16              |
| B 52                         | 1570.059              | 1        | 1      | 1      | 1      | 1      | 1      | 1      | 1      | 1      | 1      | 1        | 1        | 1      | 1      | 1      | 1           | 1           | bocchettone riempimento        | oil filler                  |
| B 53                         | 1201.084              | 1        | 1      | 1      | 1      | 1      | 1      | 1      | 1      | 1      | 1      | 1        | 1        | 1      | 1      | 1      | 1           | 1           | anello OR 2093                 | O ring 2093                 |
| B 55                         | 1901.169              | 1        | 1      | 1      | 1      | 1      | 1      | 1      | 1      | 1      | 1      | 1        | 1        | 1      | 1      | 1      | 1           | 1           | bullone calib.press.olio punt. | oil pressure adj.screw M 10 |
| B 56                         | 4670.059              | 1        | 1      | 1      | 1      | 1      | 1      | 1      | 1      | 1      | 1      | 1        | 1        | 1      | 1      | 1      | 1           | 1           | guarnizione in rame d.10       | copper gasket diam.10       |
| B 57                         | 3800.064              | 1        | 1      | 1      | 1      | 1      | 1      | 1      | 1      | 1      | 1      | 1        | 1        | 1      | 1      | 1      | 1           | 1           | flangia <b>(ex 3800.055)</b>   | flange for side filler oil  |
| B 58                         | 4400.078              | 1        | 1      | 1      | 1      | 1      | 1      | 1      | 1      | 1      | 1      | 1        | 1        | 1      | 1      | 1      | 1           | 1           | guarnizione                    | joint                       |
| B 78                         | 1640.122              | —        | 1      | 1      | —      | 1      | 1      | —      | 1      | 1      | —      | 1        | 1        | —      | 1      | 1      | 1           | 1           | bronzina biella std.           | big end bushing std.        |
| B 78                         | 1640.123              | —        | 1      | 1      | —      | 1      | 1      | —      | 1      | 1      | —      | 1        | 1        | —      | 1      | 1      | 1           | 1           | bronzina biella -0,25          | big end bushing -0,25       |
| B 78                         | 1640.124              | —        | 1      | 1      | —      | 1      | 1      | —      | 1      | 1      | —      | 1        | 1        | —      | 1      | 1      | 1           | 1           | bronzina biella -0,50          | big end bushing -0,50       |
| B 79                         | 7625.007              | 2        | 2      | 2      | 2      | 2      | 2      | 2      | 2      | 2      | 2      | 2        | 2        | 2      | 2      | 2      | 2           | 2           | rondella diam. 6               | washer diam. 6              |
| B104                         | 9765.111              | 1        | 1      | 1      | 1      | 1      | 1      | 1      | 1      | 1      | 1      | 1        | 1        | 1      | 1      | 1      | 1           | 1           | tappo filettato conico M.8x1x8 | threaded plug               |

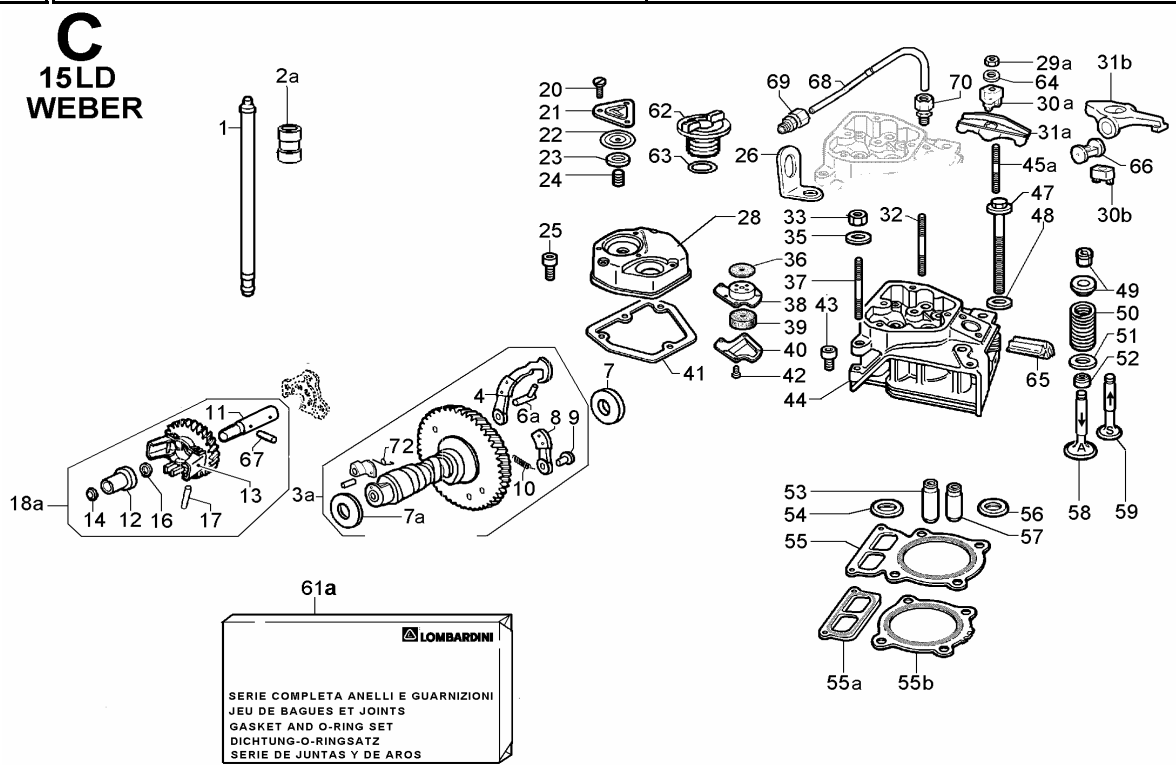


|                |  |   |
|----------------|--|---|
| Tav./Table C/1 | <b>TESTA/CAPPELLO BIL./VALVOLE<br/>DISTRIBUZIONE/REGOLATORE GIRI<br/>SERIE GUARNIZIONI</b> | <b>CYLINDER HEAD/ROCKER ARM BOX<br/>VALVES/TIMING/SPEED GOVERNOR<br/>GASKET SET</b> |
|----------------|--|---|



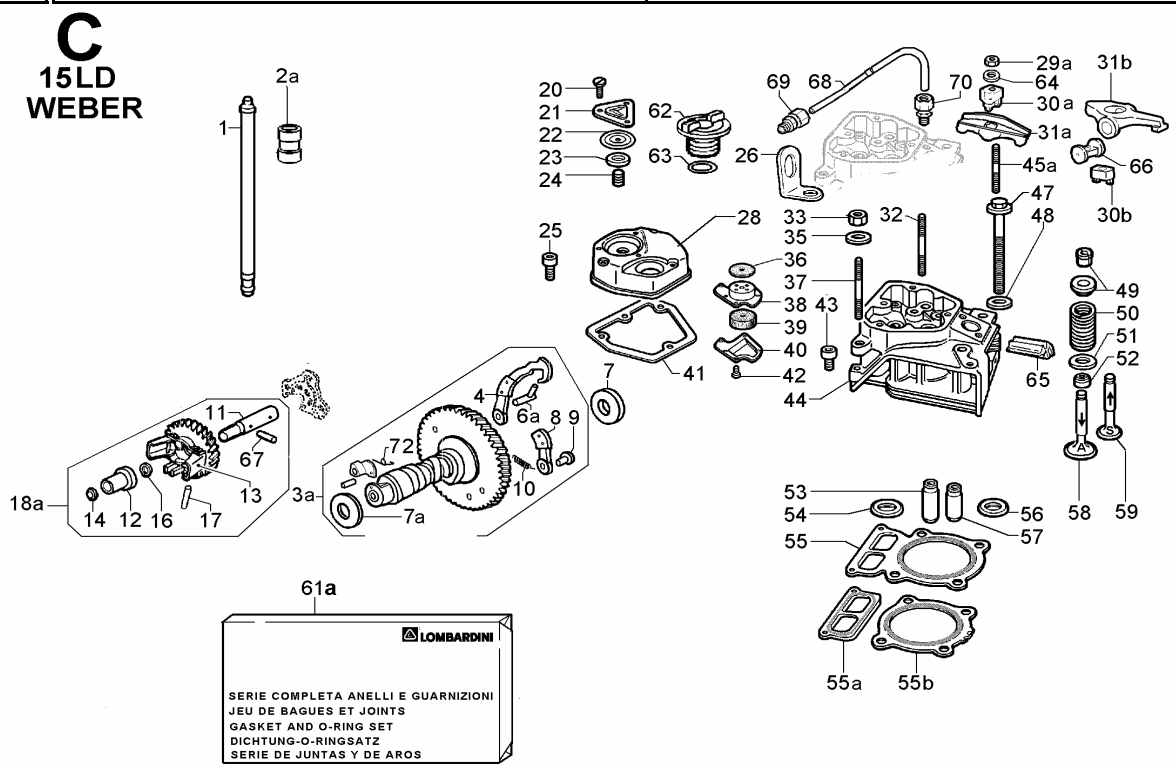
| Versione <b>K</b><br>Version |                       | 3B1930   | 3B1931 | 3B4910 | 3A7613 | 3A7614 | 3A7616 | 3A7623 | 3A7624 | 3B4920 | 3B1171 | 3B13E0   | 3B39E0   | 3B0251 | 3B0254 | 3B4950 | 3B28E2      | 3B40E0      |  |   |
|------------------------------|-----------------------|----------|--------|--------|--------|--------|--------|--------|--------|--------|--------|----------|----------|--------|--------|--------|-------------|-------------|--|---|
| Pos.                         | Matricola<br>Part No. | 15LD 400 |        |        |        |        |        |        |        |        |        | 15LD 440 |          |        |        |        | Descrizione | Description |  |   |
|                              |                       | B/1      | B/1    | B/1    | B/1    | B/1    | B/1    | B/1    | B/1    | B/1    | B/1    | B/EPA II | B/EPA II |        |        | EPA II |             |             |  |   |
| C 1                          | 1410.165              | 2        | 2      | 2      | 2      | 2      | 2      | 2      | 2      | 2      | 2      | 2        | 2        | 2      | 2      | 2      | 2           | 2           | asta punteria                                      | push rod  |
| C 2a                         | 7215.113              | 2        | 2      | 2      | 2      | 2      | 2      | 2      | 2      | 2      | 2      | 2        | 2        | 2      | 2      | 2      | 2           | 2           | punteria idraulica                                 | hydraulic push rod                                  |
| C 3a                         | 1011.659              | 1        | 1      | 1      | 1      | 1      | 1      | 1      | 1      | 1      | 1      | 1        | 1        | 1      | 1      | 1      | 1           | 1           | albero a camme con decompressione antireverse      | camshaft ass.y with antireverse compression release |
| C 4                          | «———»                 |          |        |        |        |        |        |        |        |        |        |          |          |        |        |        |             |             | vedi Pos. 3  | see pos. 3  |
| C 6a                         | 1015.077              | 1        | 1      | 1      | 1      | 1      | 1      | 1      | 1      | 1      | 1      | 1        | 1        | 1      | 1      | 1      | 1           | 1           | alberino decompress.                               | compression shaft                                   |
| C 7                          | 1301.245              | 1        | 1      | 1      | 1      | 1      | 1      | 1      | 1      | 1      | 1      | 1        | 1        | 1      | 1      | 1      | 1           | 1           | anello rasam d.16                                  | thrust washer diam.16                               |
| C 7a                         | 1301.354              | 1        | 1      | 1      | 1      | 1      | 1      | 1      | 1      | 1      | 1      | 1        | 1        | 1      | 1      | 1      | 1           | 1           | anello rasam d.18                                  | thrust washer diam.18                               |
| C 8                          | «———»                 |          |        |        |        |        |        |        |        |        |        |          |          |        |        |        |             |             | vedi Pos. 3  | see pos. 3  |
| C 9                          | 6231.211              | 2        | 2      | 2      | 2      | 2      | 2      | 2      | 2      | 2      | 2      | 2        | 2        | 2      | 2      | 2      | 2           | 2           | perno  | pin   |
| C 10                         | 5660.103              |          |        |        |        |        |        | 1      | 1      | 1      |        |          |          |        |        |        |             |             | molla  | spring  |
| C 10                         | 5660.104              | 1        | 1      | 1      | 1      | 1      | 1      |        |        |        | 1      | 1        | 1        | 1      | 1      | 1      | 1           | 1           | molla per motore con avv.el.                       | spring (engine with el.st.)                         |
| C 11                         | «———»                 |          |        |        |        |        |        |        |        |        |        |          |          |        |        |        |             |             | vedi Pos. D 86                                     | see pos. D 86                                       |
| C 12                         | 7200.276              | 1        | 1      | 1      | 1      | 1      | 1      | 1      | 1      | 1      | 1      | 1        | 1        | 1      | 1      | 1      | 1           | 1           | PUNTALINO COMPLETO<br>Pos. 12-14                   | DRIVE ROD ASS.Y                                     |
| C 13                         | «———»                 |          |        |        |        |        |        |        |        |        |        |          |          |        |        |        |             |             | vedi Pos. 18a                                      | see Pos. 18a  |
| C 14                         | «———»                 |          |        |        |        |        |        |        |        |        |        |          |          |        |        |        |             |             | vedi Pos. 12                                       | see Pos. 12   |
| C 16                         | 1240.004              | 1        | 1      | 1      | 1      | 1      | 1      | 1      | 1      | 1      | 1      | 1        | 1        | 1      | 1      | 1      | 1           | 1           | anello seeger d.10                                 | circlip diam. 10                                    |
| C 17                         | 7770.171              | 2        | 2      | 2      | 2      | 2      | 2      | 2      | 2      | 2      | 2      | 2        | 2        | 2      | 2      | 2      | 2           | 2           | rullino 3 X 27,8                                   | roller 3 X 27,8                                     |
| C 18a                        | 4896.435              | 1        | 1      | 1      | 1      | 1      | 1      | 1      | 1      | 1      | 1      | 1        | 1        | 1      | 1      | 1      | 1           | 1           | GRUPPO REGOLATORE<br>Pos. 11-12-13-14-16-17-18a-67 | GOVERNOR ASS.Y                                      |

|                |  |   |
|----------------|--|---|
| Tav./Table C/2 | <b>TESTA/CAPPELLO BIL./VALVOLE<br/>DISTRIBUZIONE/REGOLATORE GIRI<br/>SERIE GUARNIZIONI</b> | <b>CYLINDER HEAD/ROCKER ARM BOX<br/>VALVES/TIMING/SPEED GOVERNOR<br/>GASKET SET</b> |
|----------------|--|---|



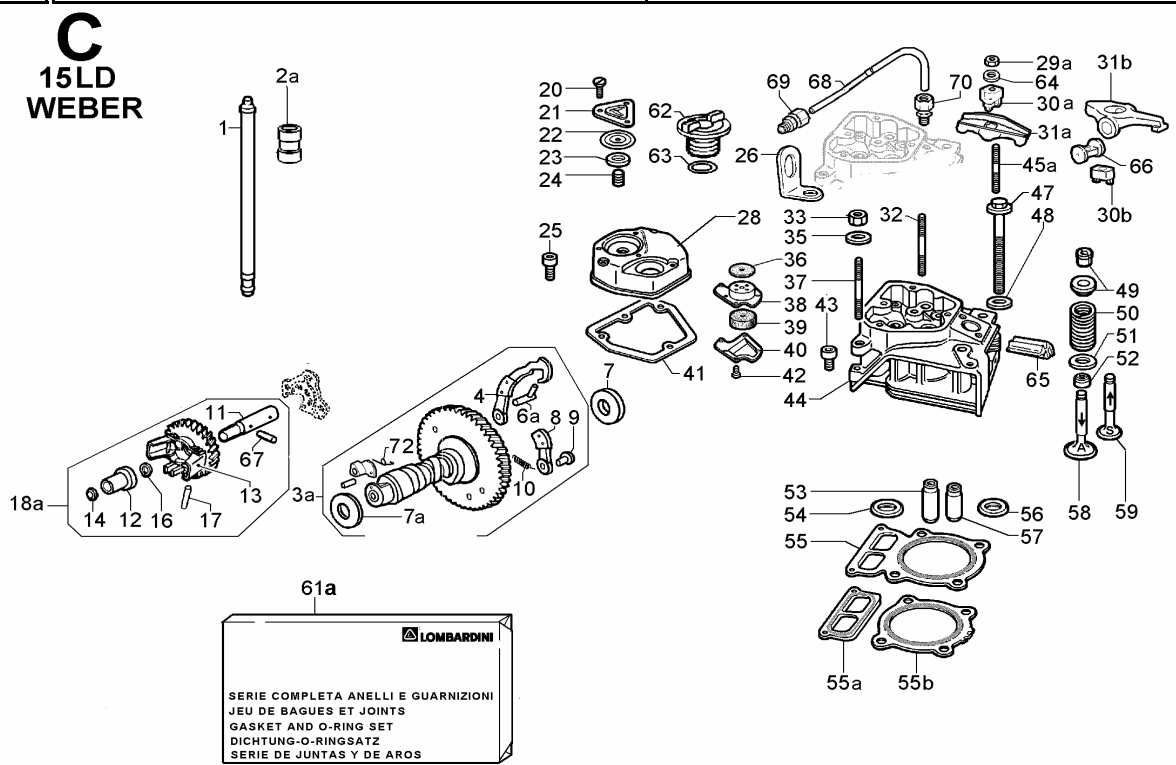
| Versione <b>K</b><br>Version |                       | 3B1930   | 3B1931 | 3B4910 | 3A7613 | 3A7614 | 3A7616 | 3A7623 | 3A7624 | 3B4920 | 3B1171 | 3B13E0   | 3B39E0 | 3B0251 | 3B0254 | 3B4950 | 3B28E2 | 3B40E0 | Descrizione  | Description                  |
|------------------------------|-----------------------|----------|--------|--------|--------|--------|--------|--------|--------|--------|--------|----------|--------|--------|--------|--------|--------|--------|--|------------------------------|
| Pos.                         | Matricola<br>Part No. | 15LD 400 |        |        |        |        |        |        |        |        |        | 15LD 440 |        |        |        |        | EPA II | EPA II |  |                              |
|                              |                       | B/1      | B/1    | B/1    | B/1    | B/1    | B/1    | B/1    | B/1    | B/1    | B/1    | B/1      | B/1    | B/1    | B/1    | B/1    |        |        |  |                              |
| C 20                         | 9820.168              | 3        | 3      | 3      | 3      | 3      | 3      | 3      | 3      | 3      | 3      | 3        | 3      | 3      | 3      | 3      | 3      | 3      | vite autofil. 3,9 X 9,5                                  | self-tapping screw 3,9 X 9,5 |
| C 21                         | «————»                |          |        |        |        |        |        |        |        |        |        |          |        |        |        |        |        |        | vedi Pos. 28   | see Pos. 28                  |
| C 22                         | «————»                |          |        |        |        |        |        |        |        |        |        |          |        |        |        |        |        |        | vedi Pos. 28   | see Pos. 28                  |
| C 23                         | «————»                |          |        |        |        |        |        |        |        |        |        |          |        |        |        |        |        |        | vedi Pos. 28   | see Pos. 28                  |
| C 24                         | «————»                |          |        |        |        |        |        |        |        |        |        |          |        |        |        |        |        |        | vedi Pos. 28   | see Pos. 28                  |
| C 25                         | 9732.016              | 3        | 3      | 3      | 3      | 3      | 3      | 3      | 3      | 3      | 3      | 3        | 3      | 3      | 3      | 3      | 3      | 3      | vite M 6 X 40  | screw M 6 X 40               |
| C 26                         | 8506.003              | 1        | 1      | 1      | 1      | 1      | 1      | 1      | 1      | 1      | 1      | 1        | 1      | 1      | 1      | 1      | 1      | 1      | squadretta   | engine lifting eye           |
| C 28                         | 2125.650              | 1        | 1      | 1      | 1      | 1      | 1      | 1      | 1      | 1      | 1      | 1        | 1      | 1      | 1      | 1      | 1      | 1      | CAPPELLO COMPL.<br>Pos. 20-21-22-23-24-28-36-38-39-40-42 | ROCK.ARM COVER ASS.Y         |
| C 29a                        | 3203.050              | 2        | 2      | 2      | 2      | 2      | 2      | 2      | 2      | 2      | 2      | 2        | 2      | 2      | 2      | 2      | 2      | 2      | dado autoblocc. M 6                                      | selflocking nut M 6          |
| C 30a                        | 1557.146              | 2        | ---    | ---    | 2      | ---    | ---    | ---    | ---    | ---    | ---    | ---      | ---    | 2      | ---    | ---    | ---    | ---    | blocchetto fiss.bilanc.                                  | rocker arm nut               |
| C 30b                        | 3512.022              | ---      | 2      | 2      | ---    | 2      | ---    | ---    | 2      | 2      | 2      | 2        | ---    | ---    | 2      | 2      | 2      | 2      | distanziale  | spacer                       |
| C 31a                        | 1541.244              | 2        | ---    | ---    | 2      | ---    | ---    | ---    | ---    | ---    | ---    | ---      | ---    | 2      | ---    | ---    | ---    | ---    | bilanciere   | rocker arm                   |
| C 31b                        | 1541.258              | ---      | 2      | 2      | ---    | 2      | ---    | ---    | 2      | 2      | 2      | 2        | ---    | ---    | 2      | 2      | 2      | 2      | bilanciere   | rocker arm                   |
| C 32                         | 6780.027              | 1        | 1      | 1      | 1      | 1      | 1      | 1      | 1      | 1      | 1      | 1        | 1      | 1      | 1      | 1      | 1      | 1      | prigioniero M 8 X 50                                     | stud M 8 X 50                |
| C 33                         | 3240.164              | 2        | 2      | 2      | 2      | 2      | 2      | 2      | 2      | 2      | 2      | 2        | 2      | 2      | 2      | 2      | 2      | 2      | dado M 8 flangiato                                       | nut M 8                      |
| C 35                         | 7625.061              | 1        | 1      | 1      | 1      | 1      | 1      | 1      | 1      | 1      | 1      | 1        | 1      | 1      | 1      | 1      | 1      | 1      | rondella diam. 8,4                                       | washer diam. 8,4             |
| C 36                         | «————»                |          |        |        |        |        |        |        |        |        |        |          |        |        |        |        |        |        | vedi Pos. 28   | see Pos. 28                  |
| C 37                         | 6780.164              | 1        | 1      | 1      | 1      | 1      | 1      | 1      | 1      | 1      | 1      | 1        | 1      | 1      | 1      | 1      | 1      | 1      | prigioniero M 8 X 55                                     | stud M 8 X 55                |
| C 38                         | «————»                |          |        |        |        |        |        |        |        |        |        |          |        |        |        |        |        |        | vedi Pos. 28   | see Pos. 28                  |
| C 39                         | «————»                |          |        |        |        |        |        |        |        |        |        |          |        |        |        |        |        |        | vedi Pos. 28   | see Pos. 28                  |
| C 40                         | «————»                |          |        |        |        |        |        |        |        |        |        |          |        |        |        |        |        |        | vedi Pos. 28   | see Pos. 28                  |
| C 41                         | 4400.097              | 1        | 1      | 1      | 1      | 1      | 1      | 1      | 1      | 1      | 1      | 1        | 1      | 1      | 1      | 1      | 1      | 1      | guarniz.cappel. <b>ex 4400.058</b>                       | gasket <b>ex 4400.058</b>    |

|                |  |   |
|----------------|--|---|
| Tav./Table C/3 | <b>TESTA/CAPPELLO BIL./VALVOLE<br/>DISTRIBUZIONE/REGOLATORE GIRI<br/>SERIE GUARNIZIONI</b> | <b>CYLINDER HEAD/ROCKER ARM BOX<br/>VALVES/TIMING/SPEED GOVERNOR<br/>GASKET SET</b> |
|----------------|--|---|



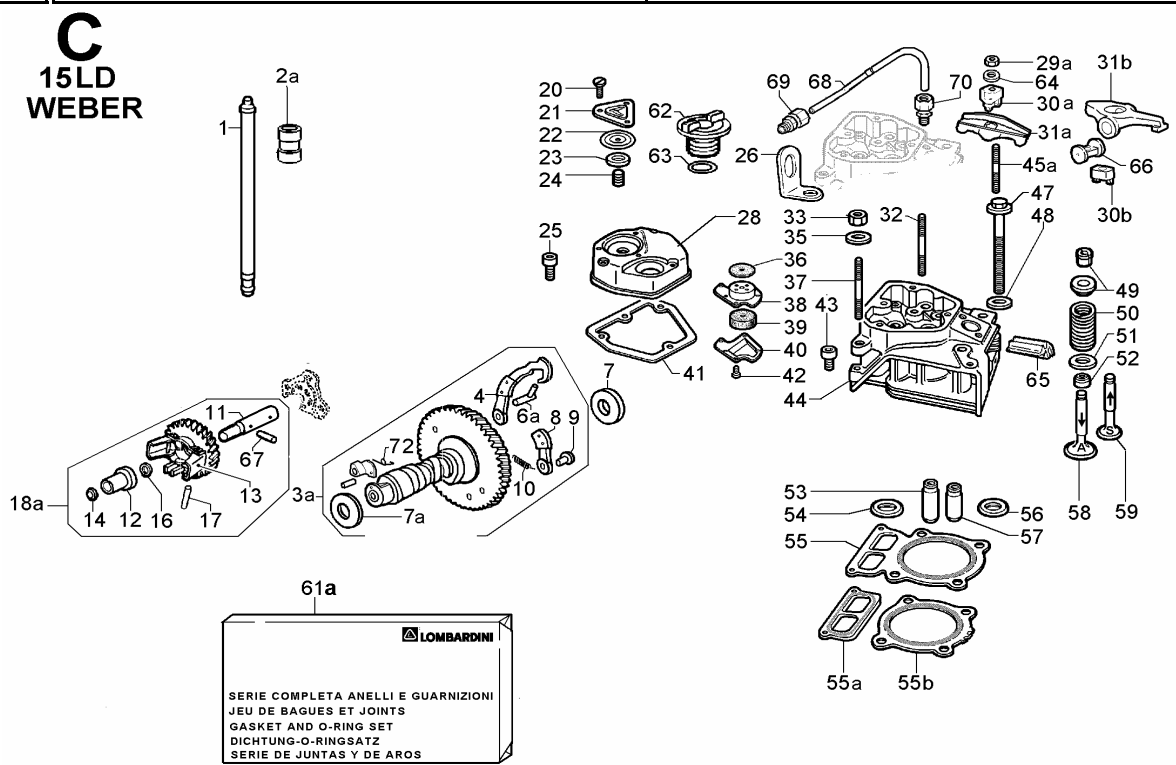
| Versione <b>K</b><br>Version |                       | 3B1930   | 3B1931 | 3B4910 | 3A7613 | 3A7614 | 3A7616 | 3A7623 | 3A7624 | 3B4920 | 3B1171 | 3B13E0   | 3B39E0 | 3B0251 | 3B0254 | 3B4950 | 3B28E2      | 3B40E0      |  |  |
|------------------------------|-----------------------|----------|--------|--------|--------|--------|--------|--------|--------|--------|--------|----------|--------|--------|--------|--------|-------------|-------------|--|--|
| Pos.                         | Matricola<br>Part No. | 15LD 400 |        |        |        |        |        |        |        |        |        | 15LD 440 |        |        |        |        | Descrizione | Description |  |  |
|                              |                       | B/1      | B/1    | B/1    | B/1    | B/1    | B/1    | B/1    | B/1    | B/1    | B/1    | B/1      | B/1    | B/1    | B/1    | B/1    |             |             |  |  |
| C 42                         | 9820.181              | 5        | 5      | 5      | 5      | 5      | 5      | 5      | 5      | 5      | 5      | 5        | 5      | 5      | 5      | 5      | 5           | 5           | vite M 3,5 X 6,5   | screw M 3,5 X 6,5                                  |
| C 43                         | 9732.078              | 2        | 2      | 2      | 2      | 2      | 2      | 2      | 2      | 2      | 2      | 2        | 2      | 2      | 2      | 2      | 2           | 2           | vite M 6 X 25  | screw M 6 X 25                                     |
| C 44                         | 9200.719              | 1        | 1      | 1      | 1      | 1      | 1      | 1      | 1      | 1      | 1      | 1        | 1      | 1      | 1      | 1      | ---         | ---         | TESTA con sedi e guide   | C.HEAD with seats/guides                           |
| C 44                         | 9200.919              | ---      | ---    | ---    | ---    | ---    | ---    | ---    | ---    | ---    | ---    | ---      | ---    | ---    | ---    | ---    | 1           | 1           | TESTA con sedi e guide (EPA II)                                | C.HEAD with seats/guides (EPA II)                  |
| C 45a                        | 6760.097              | 2        | 2      | 2      | 2      | 2      | 2      | 2      | 2      | 2      | 2      | 2        | 2      | 2      | 2      | 2      | 2           | 2           | prigioniero M 6 X 30   | stud M 6 X 30                                      |
| C 47                         | 1862.152              | 4        | 4      | 4      | 4      | 4      | 4      | 4      | 4      | 4      | 4      | 4        | 4      | 4      | 4      | 4      | 4           | 4           | bullone fissaggio testa  | fixing head bolt                                   |
| C 48                         | 7625.130              | 4        | 4      | 4      | 4      | 4      | 4      | 4      | 4      | 4      | 4      | 4        | 4      | 4      | 4      | 4      | 4           | 4           | rondella diam. 10,2  | washer diam. 10,2                                  |
| C 49                         | 6410.117              | 2        | 2      | 2      | 2      | 2      | 2      | 2      | 2      | 2      | 2      | 2        | 2      | 2      | 2      | 2      | 2           | 2           | piattello con semiconi   | retainer with half-collets                         |
| C 50                         | 5755.155              | 2        | 2      | 2      | 2      | 2      | 2      | 2      | 2      | 2      | 2      | 2        | 2      | 2      | 2      | 2      | 2           | 2           | molla valvola  | valve spring                                       |
| C 51                         | 3430.114              | 2        | 2      | 2      | 2      | 2      | 2      | 2      | 2      | 2      | 2      | 2        | 2      | 2      | 2      | 2      | 2           | 2           | dischetto  | cup  |
| C 52                         | 4535.015              | 2        | 2      | 2      | 2      | 2      | 2      | 2      | 2      | 2      | 2      | 2        | 2      | 2      | 2      | 2      | 2           | 2           | guarnizione stelo valv.asp.                                    | valve retainer                                     |
| C 53                         | 4845.218              | 1        | 1      | 1      | 1      | 1      | 1      | 1      | 1      | 1      | 1      | 1        | 1      | 1      | 1      | 1      | 1           | 1           | guida valv.asp.  | inlet valve guide                                  |
| C 54                         | 8000.219              | 1        | 1      | 1      | 1      | 1      | 1      | 1      | 1      | 1      | 1      | 1        | 1      | 1      | 1      | 1      | 1           | 1           | sede v.aspirazione   | inlet v.seat                                       |
| C 55                         | 4730.751              | 1        | 1      | 1      | 1      | 1      | 1      | 1      | 1      | 1      | 1      | 1        | 1      | ---    | ---    | ---    | ---         | ---         | guarnizione testa 1,0 d.82,5 -<br>senza tacche di rif.spessore | head gask. 1,0 diam. 82,5 -<br>no semicircular cut |
| C 55                         | 4730.752              | 1        | 1      | 1      | 1      | 1      | 1      | 1      | 1      | 1      | 1      | 1        | 1      | ---    | ---    | ---    | ---         | ---         | guarnizione testa 1,1 d.82,5 -<br>1 tacca di rif.spessore      | head gask. 1,1 diam. 82,5 -<br>1 semicircular cut  |
| C 55                         | 4730.753              | 1        | 1      | 1      | 1      | 1      | 1      | 1      | 1      | 1      | 1      | 1        | 1      | ---    | ---    | ---    | ---         | ---         | guarnizione testa 1,2 d.82,5 -<br>2 tacche di rif.spessore     | head gask. 1,2 diam. 82,5 -<br>2 semicircular cuts |
|                              |                       |          |        |        |        |        |        |        |        |        |        |          |        |        |        |        |             |             | segue Pos. C 55  | continues Pos. C55                                 |

|                |  |   |
|----------------|--|---|
| Tav./Table C/4 | <b>TESTA/CAPPELLO BIL./VALVOLE<br/>DISTRIBUZIONE/REGOLATORE GIRI<br/>SERIE GUARNIZIONI</b> | <b>CYLINDER HEAD/ROCKER ARM BOX<br/>VALVES/TIMING/SPEED GOVERNOR<br/>GASKET SET</b> |
|----------------|--|---|



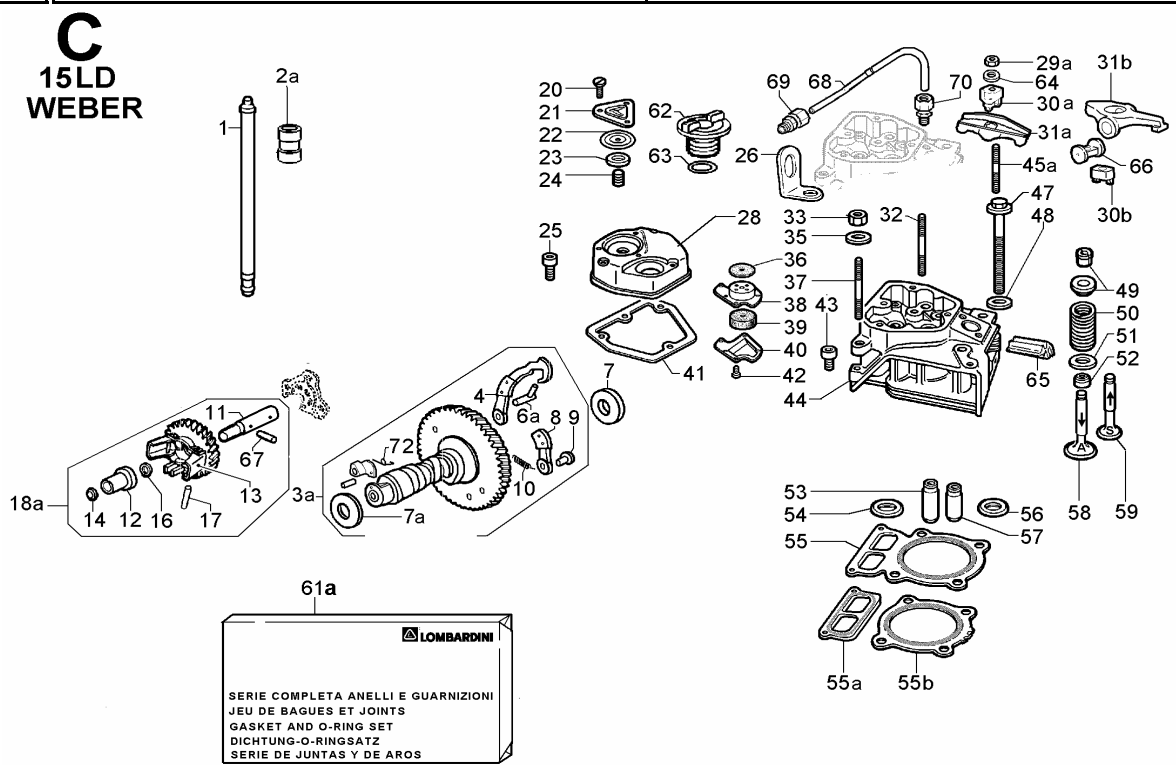
| Versione <b>K</b><br>Version |                       | 3B1930   | 3B1931 | 3B4910 | 3A7613 | 3A7614 | 3A7616 | 3A7623 | 3A7624 | 3B4920 | 3B1171 | 3B13E0   | 3B39E0   | 3B0251 | 3B0254 | 3B4950 | 3B28E2 | 3B40E0 | Descrizione  | Description  |
|------------------------------|-----------------------|----------|--------|--------|--------|--------|--------|--------|--------|--------|--------|----------|----------|--------|--------|--------|--------|--------|--|--|
| Pos.                         | Matricola<br>Part No. | 15LD 400 |        |        |        |        |        |        |        |        |        | 15LD 440 |          |        |        |        |        |        |  |  |
|                              |                       | B/1      | B/1    | B/1    | B/1    | B/1    | B/1    | B/1    | B/1    | B/1    | B/1    | B/EPA II | B/EPA II |        |        |        | EPA II | EPA II |  |  |
| C 55                         | 4730.759              | 1        | 1      | 1      | 1      | 1      | 1      | 1      | 1      | 1      | 1      | 1        | 1        |        |        |        |        |        | guarnizione testa 1,0 d.83,5 -<br>senza tacche di rif.spessore<br>+ 1 mm sul diam.interno per<br>rettifica camicia cilindro<br>1a e 2a maggiorazione | head gask. 1,0 diam. 83,5 -<br>no semicircular cut<br>+ 1 mm on the internal diam.<br>to be used for 1st and 2nd<br>oversized cyl. liner |
| C 55                         | 4730.760              | 1        | 1      | 1      | 1      | 1      | 1      | 1      | 1      | 1      | 1      | 1        | 1        |        |        |        |        |        | guarnizione testa 1,1 d.83,5 -<br>1 tacca di rif.spessore<br>+ 1 mm sul diam.interno per<br>rettifica camicia cilindro<br>1a e 2a maggiorazione      | head gask. 1,1 diam. 83,5 -<br>1 semicircular cut<br>+ 1 mm on the internal diam.<br>to be used for 1st and 2nd<br>oversized cyl. liner  |
| C 55                         | 4730.761              | 1        | 1      | 1      | 1      | 1      | 1      | 1      | 1      | 1      | 1      | 1        | 1        |        |        |        |        |        | guarnizione testa 1,2 d.83,5 -<br>2 tacche di rif.spessore<br>+ 1 mm sul diam.interno per<br>rettifica camicia cilindro<br>1a e 2a maggiorazione     | head gask. 1,2 diam. 83,5 -<br>2 semicircular cuts<br>+ 1 mm on the internal diam.<br>to be used for 1st and 2nd<br>oversized cyl. liner |
| C 55                         | 4730.754              |          |        |        |        |        |        |        |        |        |        |          |          | 1      | 1      | 1      | 1      | 1      | guarnizione testa 1,0 d.86,5 -<br>senza tacche di rif.spessore   | head gask. 1,0 diam. 86,5 -<br>no semicircular cut   |
| C 55                         | 4730.755              |          |        |        |        |        |        |        |        |        |        |          |          | 1      | 1      | 1      | 1      | 1      | guarnizione testa 1,1 d.86,5 -<br>1 tacca di rif.spessore  | head gask. 1,1 diam. 86,5 -<br>1 semicircular cut  |
| C 55                         | 4730.756              |          |        |        |        |        |        |        |        |        |        |          |          | 1      | 1      | 1      | 1      | 1      | guarnizione testa 1,2 d.86,5 -<br>2 tacche di rif.spessore   | head gask. 1,2 diam. 86,5 -<br>2 semicircular cuts   |
| C 55a                        | 4730.825              |          |        |        |        |        |        |        |        |        |        |          |          | 1      | 1      | 1      | 1      | 1      | guarnizione testa vano bilancieri  | gasket for rocker arm seat   |

|                |  |   |
|----------------|--|---|
| Tav./Table C/5 | <b>TESTA/CAPPELLO BIL./VALVOLE<br/>DISTRIBUZIONE/REGOLATORE GIRI<br/>SERIE GUARNIZIONI</b> | <b>CYLINDER HEAD/ROCKER ARM BOX<br/>VALVES/TIMING/SPEED GOVERNOR<br/>GASKET SET</b> |
|----------------|--|---|



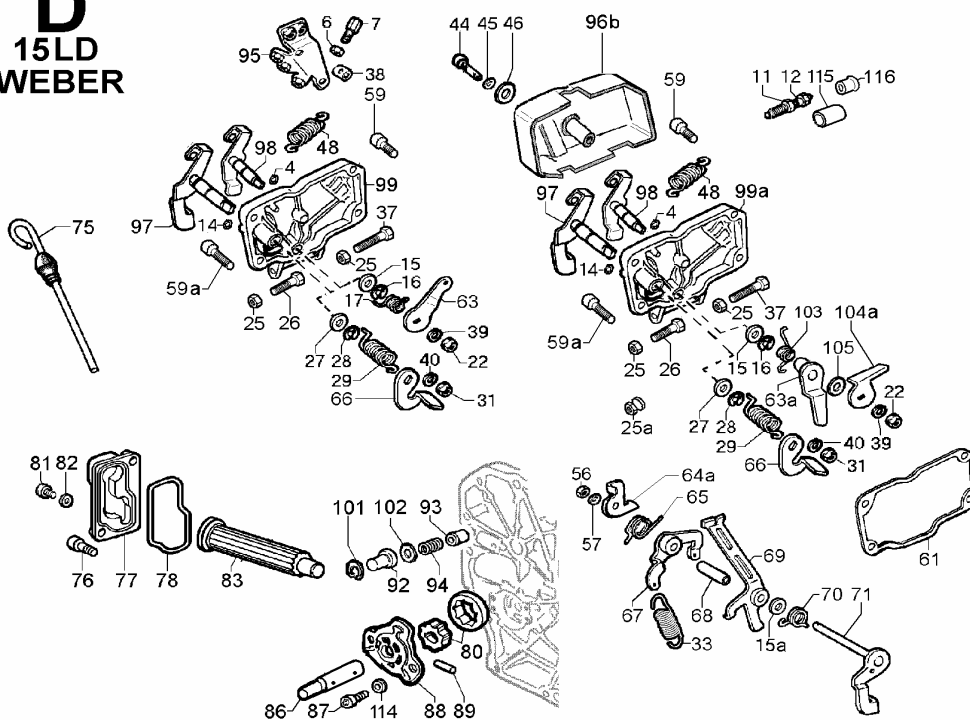
| Versione <b>K</b><br>Version |                       | 3B1930   | 3B1931 | 3B4910 | 3A7613 | 3A7614 | 3A7616 | 3A7623 | 3A7624 | 3B4920 | 3B1171 | 3B13E0   | 3B39E0 | 3B0251 | 3B0254 | 3B4950 | 3B28E2 | 3B40E0 | Descrizione  | Description  |
|------------------------------|-----------------------|----------|--------|--------|--------|--------|--------|--------|--------|--------|--------|----------|--------|--------|--------|--------|--------|--------|--|--|
| Pos.                         | Matricola<br>Part No. | 15LD 400 |        |        |        |        |        |        |        |        |        | 15LD 440 |        |        |        |        |        |        |  |  |
|                              |                       | B/1      | B/1    | B/1    | B/1    | B/1    | B/1    | B/1    | B/1    | B/1    | B/1    | B/1      | B/1    |        |        |        | EPA II | EPA II |  |  |
| C 55b                        | 4730.837              |          |        |        |        |        |        |        |        |        |        |          |        | 1      | 1      | 1      | 1      | 1      | guarnizione testa 1,0 d.87,5 -<br>senza tacche di rif.spessore<br>+ 1 mm sul diam.interno per<br>rettifica camicia cilindro<br>1a e 2a maggiorazione | head gask. 1,0 diam. 87,5 -<br>no semicircular cut<br>+ 1 mm on the internal diam.<br>to be used for 1st and 2nd<br>oversized cyl. liner |
| C 55b                        | 4730.838              |          |        |        |        |        |        |        |        |        |        |          |        | 1      | 1      | 1      | 1      | 1      | guarnizione testa 1,1 d.87,5 -<br>1 tacca di rif.spessore<br>+ 1 mm sul diam.interno per<br>rettifica camicia cilindro<br>1a e 2a maggiorazione      | head gask. 1,1 diam. 87,5 -<br>1 semicircular cut<br>+ 1 mm on the internal diam.<br>to be used for 1st and 2nd<br>oversized cyl. liner  |
| C 55b                        | 4730.839              |          |        |        |        |        |        |        |        |        |        |          |        | 1      | 1      | 1      | 1      | 1      | guarnizione testa 1,2 d.87,5 -<br>2 tacche di rif.spessore<br>+ 1 mm sul diam.interno per<br>rettifica camicia cilindro<br>1a e 2a maggiorazione     | head gask. 1,2 diam. 87,5 -<br>2 semicircular cuts<br>+ 1 mm on the internal diam.<br>to be used for 1st and 2nd<br>oversized cyl. liner |
| C 56                         | 8000.218              | 1        | 1      | 1      | 1      | 1      | 1      | 1      | 1      | 1      | 1      | 1        | 1      | 1      | 1      | 1      | 1      | 1      | sede v.aspirazione   | inlet v.seat   |
| C 57                         | 4845.219              | 1        | 1      | 1      | 1      | 1      | 1      | 1      | 1      | 1      | 1      | 1        | 1      | 1      | 1      | 1      | 1      | 1      | guida valv.scar.   | exh.valve guide  |
| C 58                         | 9652.163              | 1        | 1      | 1      | 1      | 1      | 1      | 1      | 1      | 1      | 1      | 1        | 1      | 1      | 1      | 1      | 1      | 1      | valvola aspirazione  | intake valve   |
| C 59                         | 9685.155              | 1        | 1      | 1      | 1      | 1      | 1      | 1      | 1      | 1      | 1      | 1        | 1      | 1      | 1      | 1      | 1      | 1      | valvola di scarico   | exhaust valve  |
| C 61a                        | 8205.125              | 1        | 1      | 1      | 1      | 1      | 1      | 1      | 1      | 1      | 1      | 1        | 1      | 1      | 1      | 1      | 1      | 1      | SERIE COMPLETA ANELLI E<br>GUARNIZIONI - (escluse<br>Pos. C 55-55a-55b)<br>Pos. A18-A19-A26-B15-C41-C52-D61-D78-E22-E25                              | RING AND GASKET<br>COMPLETE SET<br>(without Pos. C 55-55a-55b)   |

|                |  |   |
|----------------|--|---|
| Tav./Table C/6 | <b>TESTA/CAPPELLO BIL./VALVOLE<br/>DISTRIBUZIONE/REGOLATORE GIRI<br/>SERIE GUARNIZIONI</b> | <b>CYLINDER HEAD/ROCKER ARM BOX<br/>VALVES/TIMING/SPEED GOVERNOR<br/>GASKET SET</b> |
|----------------|--|---|



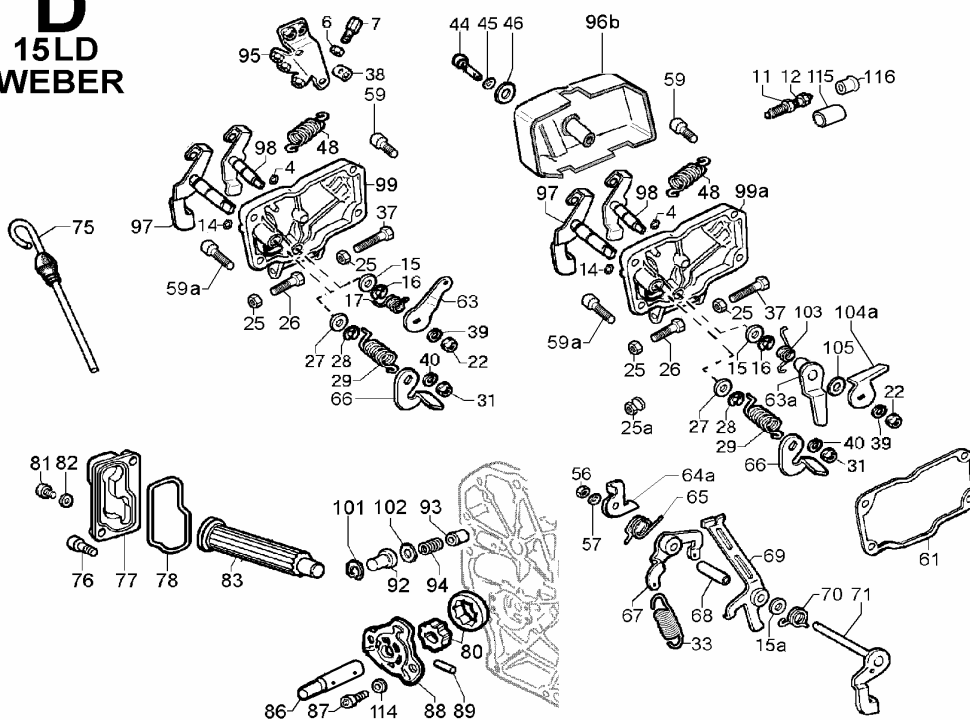
| Versione <b>K</b><br>Version |                       | 3B1930   | 3B1931 | 3B4910 | 3A7613 | 3A7614 | 3A7616 | 3A7623 | 3A7624 | 3B4920 | 3B1171 | 3B13E0     | 3B39E0     | 3B0251 | 3B0254 | 3B4950      | 3B28E2      | 3B40E0 |                      |                    |
|------------------------------|-----------------------|----------|--------|--------|--------|--------|--------|--------|--------|--------|--------|------------|------------|--------|--------|-------------|-------------|--------|----------------------|--------------------|
| Pos.                         | Matricola<br>Part No. | 15LD 400 |        |        |        |        |        |        |        |        |        | 15LD 440   |            |        |        | Descrizione | Description |        |                      |                    |
|                              |                       | B/1      | B/1    | B/1    | B/1    | B/1    | B/1    | B/1    | B/1    | B/1    | B/1    | B/1/EPA II | B/1/EPA II |        |        |             |             | EPA II |                      |                    |
| C 62                         | 9032.086              | 1        | 1      | 1      | 1      | 1      | 1      | 1      | 1      | 1      | 1      | 1          | 1          | 1      | 1      | 1           | 1           | 1      | tappo rif.olio       | filler oil cap     |
| C 63                         | 1200.082              | 1        | 1      | 1      | 1      | 1      | 1      | 1      | 1      | 1      | 1      | 1          | 1          | 1      | 1      | 1           | 1           | 1      | anello OR 3106       | O ring 3106        |
| C 64                         | 7620.017              | 2        | 2      | 2      | 2      | 2      | 2      | 2      | 2      | 2      | 2      | 2          | 2          | 2      | 2      | 2           | 2           | 2      | rondella             | washer             |
| C 65                         | 4775.588              | 1        | 1      | 1      | 1      | 1      | 1      | 1      | 1      | 1      | 1      | 1          | 1          | 1      | 1      | 1           | 1           | 1      | guarnizione          | gasket             |
| C 66                         | 6045.150              | ---      | 2      | 2      | ---    | 2      | 2      | ---    | 2      | 2      | 2      | 2          | 2          | ---    | 2      | 2           | 2           | 2      | perno bilancieri     | journal            |
| C 67                         | 7770.172              | 1        | 1      | 1      | 1      | 1      | 1      | 1      | 1      | 1      | 1      | 1          | 1          | 1      | 1      | 1           | 1           | 1      | rullino 3 X 15,8     | roller 3 X 15,8    |
| C 68                         | 9346.095              | ---      | ---    | ---    | ---    | ---    | ---    | ---    | ---    | ---    | ---    | ---        | ---        | ---    | ---    | 1           | 1           | ---    | tubo collegamento    | union pipe         |
| C 69                         | 7345.099              | ---      | ---    | ---    | ---    | ---    | ---    | ---    | ---    | ---    | ---    | ---        | ---        | ---    | ---    | 1           | 1           | ---    | raccordo diam.6      | banjo union diam.6 |
| C 70                         | 7345.098              | ---      | ---    | ---    | ---    | ---    | ---    | ---    | ---    | ---    | ---    | ---        | ---        | ---    | ---    | 1           | 1           | ---    | raccordo diam.8      | banjo union diam.8 |
| C 72                         | 5660.049              | 1        | 1      | 1      | 1      | 1      | 1      | 1      | 1      | 1      | 1      | 1          | 1          | 1      | 1      | 1           | 1           | 1      | molla decompressione | compression spring |

**D**  
**15LD**  
**WEBER**



| Versione <b>K</b><br>Version |                       | 3B1930   | 3B1931 | 3B4910 | 3A7613 | 3A7614 | 3A7616 | 3A7623 | 3A7624 | 3B4920 | 3B1171 | 3B13E0   | 3B39E0   | 3B0251 | 3B0254 | 3B4950 | 3B28E2      | 3B40E0      |                               |                                |
|------------------------------|-----------------------|----------|--------|--------|--------|--------|--------|--------|--------|--------|--------|----------|----------|--------|--------|--------|-------------|-------------|-------------------------------|--------------------------------|
| Pos.                         | Matricola<br>Part No. | 15LD 400 |        |        |        |        |        |        |        |        |        |          | 15LD 440 |        |        |        | Descrizione | Description |                               |                                |
|                              |                       | B/I      | B/I    | B/I    | B/I    | B/I    | B/I    | B/I    | B/I    | B/I    | B/I    | B/EPA II | B/EPA II |        |        | EPA II |             |             | EPA II                        |                                |
| D 4                          | 1200.041              | 1        | 1      | 1      | 1      | 1      | 1      | 1      | 1      | 1      | 1      | 1        | 1        | 1      | 1      | 1      | 1           | 1           | anello OR 103/2018            | O ring 103/2018                |
| D 6                          | 3240.009              | 2        | 2      | 2      | 2      | 2      | 2      | 2      | 2      | 2      | 2      | 2        | 2        | 2      | 2      | 2      | 2           | 2           | dado M 6                      | nut M 6                        |
| D 7                          | 9180.191              | 2        | 2      | 2      | 2      | 2      | 2      | 2      | 2      | 2      | 2      | 2        | 2        | 2      | 2      | 2      | 2           | 2           | registro M 6                  | adjuster M 6                   |
| D 11                         | 3240.063              | 1        | 1      | 1      | 1      | 1      | 1      | 1      | 1      | 1      | 1      | 1        | 1        | 1      | 1      | 1      | 1           | 1           | dado M 10                     | nut M 10                       |
| D 12                         | 8576.127              | 1        | 1      | 1      | 1      | 1      | 1      | 1      | 1      | 1      | 1      | 1        | 1        | 1      | 1      | 1      | 1           | 1           | supplemento 3000 Giri/min     | extra fuel device 3000 R.P.M.  |
| D 12                         | 8576.124              |          |        |        |        |        |        |        |        |        |        | 1        | 1        |        |        |        |             |             | supplemento 3600 Giri/min     | extra fuel device 3600 R.P.M.  |
| D 14                         | 1200.041              | 1        | 1      | 1      | 1      | 1      | 1      | 1      | 1      | 1      | 1      | 1        | 1        | 1      | 1      | 1      | 1           | 1           | anello OR 103/2018            | O ring 103/2018                |
| D 15                         | 7625.105              | 1        | 1      | 1      | 1      | 1      | 1      | 1      | 1      | 1      | 1      | 1        | 1        | 1      | 1      | 1      | 1           | 1           | rondella diam. 8,2            | washer diam. 8,2               |
| D 15a                        | 7625.105              | 1        | 1      | 1      | 1      | 1      | 1      | 1      | 1      | 1      | 1      | 1        | 1        | 1      | 1      | 1      | 1           | 1           | rondella diam. 8,2            | washer diam. 8,2               |
| D 17                         | «————»                |          |        |        |        |        |        |        |        |        |        |          |          |        |        |        |             |             | vedi Pos. 99                  | see Pos. 99                    |
| D 16                         | 1240.002              | 1        | 1      | 1      | 1      | 1      | 1      | 1      | 1      | 1      | 1      | 1        | 1        | 1      | 1      | 1      | 1           | 1           | anello seeger d.8             | circlip diam. 8                |
| D 22                         | 3240.008              | 1        | 1      | 1      | 1      | 1      | 1      | 1      | 1      | 1      | 1      | 1        | 1        | 1      | 1      | 1      | 1           | 1           | dado M 6                      | nut M 6                        |
| D 25                         | 3240.008              | 2        | 2      | 2      | 2      | 2      | 2      | 2      | 2      | 2      | 2      | 1        | 1        | 2      | 2      | 2      | 1           | 1           | dado M 6                      | nut M 6                        |
| D 25a                        | 3300.237              |          |        |        |        |        |        |        |        |        |        | 1        | 1        |        |        |        | 1           | 1           | dado a rottura programmata    | nut (EPA type)                 |
| D 26                         | 1760.027              | 1        | 1      | 1      | 1      | 1      | 1      | 1      | 1      | 1      | 1      | 1        | 1        | 1      | 1      | 1      | 1           | 1           | bullone M 6 X 1 X 40 (max.)   | bolt M 6 X 40 (maximum)        |
| D 27                         | 7625.105              | 1        | 1      | 1      | 1      | 1      | 1      | 1      | 1      | 1      | 1      | 1        | 1        | 1      | 1      | 1      | 1           | 1           | rondella diam. 8,2            | washer diam. 8,2               |
| D 28                         | 1240.002              | 1        | 1      | 1      | 1      | 1      | 1      | 1      | 1      | 1      | 1      | 1        | 1        | 1      | 1      | 1      | 1           | 1           | anello seeger d.8             | circlip diam. 8                |
| D 29                         | «————»                |          |        |        |        |        |        |        |        |        |        |          |          |        |        |        |             |             | vedi Pos. 99/99a              | see Pos. 99/99a                |
| D 31                         | 3240.008              | 1        | 1      | 1      | 1      | 1      | 1      | 1      | 1      | 1      | 1      | 1        | 1        | 1      | 1      | 1      | 1           | 1           | dado M 6                      | nut M 6                        |
| D 33                         | 5655.220              | 1        | 1      | 1      | 1      | 1      | 1      | 1      | 1      | 1      | 1      | 1        | 1        | 1      | 1      | 1      | 1           | 1           | molla reg. 3000 R.P.M.        | gover.spring 3000 R.P.M.       |
| D 33                         | 5655.081              |          |        |        |        |        |        |        |        |        |        |          |          |        |        |        |             |             | molla reg. 3000 R.P.M. (EPA)  | gover.spring 3000 R.P.M. (EPA) |
| D 33                         | 5655.355              |          |        |        |        |        |        |        |        |        |        |          |          |        |        |        |             |             | molla reg. 3600 R.P.M.        | gover.spring 3600 R.P.M.       |
| D 33                         | 5655.350              |          |        |        |        |        |        |        |        |        |        |          |          |        |        | 1      | 1           |             | molla reg. 3600 R.P.M. (EPA)  | gover.spring 3600 R.P.M. (EPA) |
| D 37                         | 1760.027              | 1        | 1      | 1      | 1      | 1      | 1      | 1      | 1      | 1      | 1      | 1        | 1        | 1      | 1      | 1      | 1           | 1           | bullone M 6 X 1 X 40 (minimo) | bolt M 6 X 40 (minimum)        |
| D 38                         | 5830.119              | 2        | 2      | 2      | 2      | 2      | 2      | 2      | 2      | 2      | 2      | 2        | 2        | 2      | 2      | 2      | 2           | 2           | morsetto                      | nut                            |

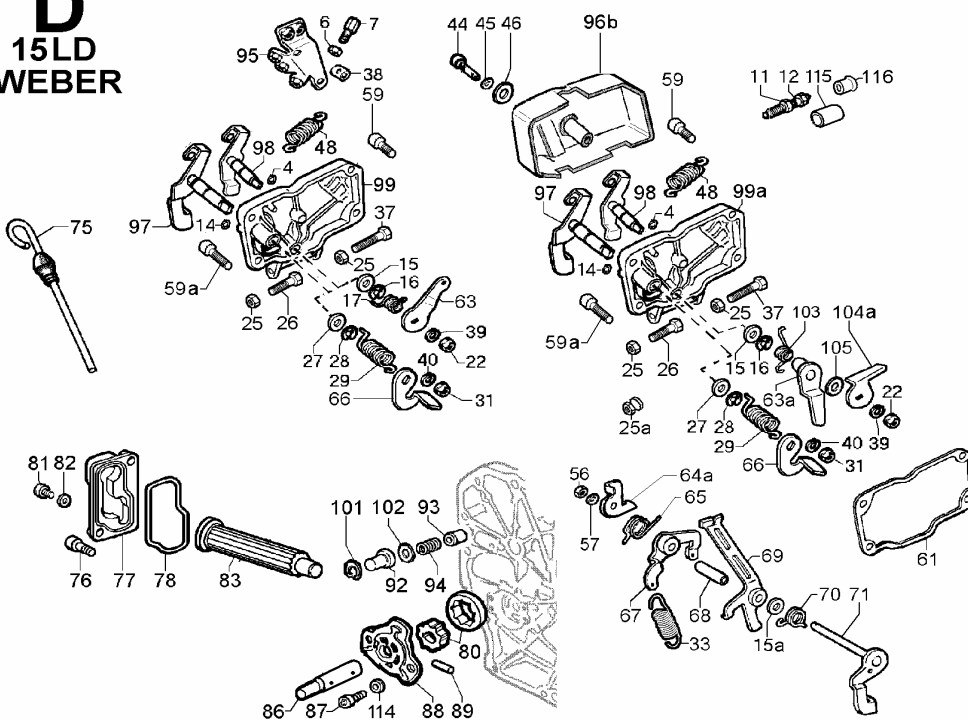
**D**  
**15LD**  
**WEBER**



| Versione <b>K</b><br>Version |                       | 3B1930   | 3B1931 | 3B4910 | 3A7613 | 3A7614 | 3A7616 | 3A7623 | 3A7624 | 3B4920 | 3B1171 | 3B13E0 | 3B39E0   | 3B0251   | 3B0254 | 3B4950 | 3B28E2 | 3B40E0      |  |                                   |
|------------------------------|-----------------------|----------|--------|--------|--------|--------|--------|--------|--------|--------|--------|--------|----------|----------|--------|--------|--------|-------------|--|-----------------------------------|
| Pos.                         | Matricola<br>Part No. | 15LD 400 |        |        |        |        |        |        |        |        |        |        | 15LD 440 |          |        |        |        | Descrizione | Description                              |                                   |
|                              |                       | B/I      | B/I    | B/I    | B/I    | B/I    | B/I    | B/I    | B/I    | B/I    | B/I    | B/I    | B/EPA II | B/EPA II |        |        | EPA II |             |  | EPA II                            |
| D 39                         | 7565.004              | 1        | 1      | 1      | 1      | 1      | 1      | 1      | 1      | 1      | 1      | 1      | 1        | 1        | 1      | 1      | 1      | 1           | rondella diam. 6                         | washer diam. 6                    |
| D 40                         | 7565.004              | 1        | 1      | 1      | 1      | 1      | 1      | 1      | 1      | 1      | 1      | 1      | 1        | 1        | 1      | 1      | 1      | 1           | rondella diam. 6                         | washer diam. 6                    |
| D 44                         | 9790.030              | 1        | 1      | 1      | 1      | 1      | 1      | 1      | 1      | 1      | 1      | 1      | 1        | 1        | 1      | 1      | 1      | 1           | vite M 6 X 30                            | screw M 6 X 30                    |
| D 45                         | 7565.004              | 1        | 1      | 1      | 1      | 1      | 1      | 1      | 1      | 1      | 1      | 1      | 1        | 1        | 1      | 1      | 1      | 1           | rondella diam. 6                         | washer diam. 6                    |
| D 46                         | 7625.007              | 1        | 1      | 1      | 1      | 1      | 1      | 1      | 1      | 1      | 1      | 1      | 1        | 1        | 1      | 1      | 1      | 1           | rondella diam. 6                         | washer diam. 6                    |
| D 48                         | 5655.081              | 1        | 1      | 1      | 1      | 1      | 1      | 1      | 1      | 1      | 1      | 1      | 1        | 1        | 1      | 1      | 1      | 1           | molla ritorno leva stop                  | stop lever recovery spring        |
| D 56                         | 3240.008              | 1        | 1      | 1      | 1      | 1      | 1      | 1      | 1      | 1      | 1      | 1      | 1        | 1        | 1      | 1      | 1      | 1           | dado M 6                                 | nut M 6                           |
| D 57                         | 7565.004              | 1        | 1      | 1      | 1      | 1      | 1      | 1      | 1      | 1      | 1      | 1      | 1        | 1        | 1      | 1      | 1      | 1           | rondella diam. 6                         | washer diam. 6                    |
| D 59                         | 9730.337              | 2        | 2      | 2      | 2      | 2      | 2      | 2      | 2      | 2      | 2      | 2      | 2        | 2        | 2      | 2      | 2      | 2           | vite M 6 X 16                            | screw M 6 X 16                    |
| D 59a                        | 9730.012              | 2        | 2      | 2      | 2      | 2      | 2      | 2      | 2      | 2      | 2      | 2      | 2        | 2        | 2      | 2      | 2      | 2           | vite M 6 X 20                            | screw M 6 X 20                    |
| D 61                         | 4431.198              | 1        | 1      | 1      | 1      | 1      | 1      | 1      | 1      | 1      | 1      | 1      | 1        | 1        | 1      | 1      | 1      | 1           | guarnizione coperchio <b>ex 4431.157</b> | gasket <b>ex 4431.157</b>         |
| D 63                         | « — »                 |          |        |        |        |        |        |        |        |        |        |        |          |          |        |        |        |             | vedi Pos. 99                             | see Pos. 99                       |
| D 63a                        | « — »                 |          |        |        |        |        |        |        |        |        |        |        |          |          |        |        |        |             | vedi Pos. 99a                            | see Pos. 99a                      |
| D 64a                        | 5201.155              | 1        | 1      |        | 1      | 1      |        | 1      | 1      |        |        | 1      |          | 1        |        |        |        |             | leva reg.per com.monoleva                | governor lever                    |
| D 64a                        | 5201.287              |          |        | 1      |        |        | 1      |        |        | 1      | 1      |        | 1        |          | 1      | 1      | 1      | 1           | leva regolatore <b>ex 5200.979</b>       | governor lever <b>ex 5200.979</b> |
| D 65                         | 5801.582              | 1        | 1      | 1      | 1      | 1      | 1      | 1      | 1      | 1      | 1      | 1      | 1        | 1        | 1      | 1      | 1      | 1           | molla supplemento                        | extra fuel spring                 |
| D 66                         | « — »                 |          |        |        |        |        |        |        |        |        |        |        |          |          |        |        |        |             | vedi Pos. 99/99a                         | see Pos. 99/99a                   |
| D 67                         | 5200.977              | 1        | 1      | 1      | 1      | 1      | 1      | 1      | 1      | 1      | 1      | 1      | 1        | 1        | 1      | 1      | 1      | 1           | leva regolatore                          | governor lever                    |
| D 68                         | 1585.215              | 1        | 1      | 1      | 1      | 1      | 1      | 1      | 1      | 1      | 1      | 1      | 1        | 1        | 1      | 1      | 1      | 1           | bussola                                  | sleeve                            |
| D 69                         | 5201.132              | 1        | 1      | 1      | 1      | 1      | 1      | 1      | 1      | 1      | 1      | 1      | 1        | 1        | 1      | 1      | 1      | 1           | leva comando portata                     | control lever                     |
| D 70                         | 5600.042              | 1        | 1      | 1      | 1      | 1      | 1      | 1      | 1      | 1      | 1      | 1      | 1        | 1        | 1      | 1      | 1      | 1           | molla                                    | spring                            |
| D 71                         | 5201.133              | 1        | 1      | 1      | 1      | 1      | 1      | 1      | 1      | 1      | 1      | 1      | 1        | 1        | 1      | 1      | 1      | 1           | leva regolatore interna                  | control lever                     |
| D 75                         | 1400.420              | 1        | 1      | 1      | 1      | 1      | 1      | 1      | 1      | 1      | 1      | 1      | 1        | 1        | 1      | 1      | 1      | 1           | asta livello                             | dipstick                          |
| D 76                         | 9730.301              | 2        | 2      | 2      | 2      | 2      |        |        |        | 2      | 2      | 2      | 2        | 2        | 2      | 2      | 2      | 2           | vite M 6 X 20                            | screw M 6 X 20                    |
| D 76                         | 9730.013              |          |        |        |        |        | 2      | 2      | 2      |        |        |        |          |          |        |        |        |             | vite M 6 X 25                            | screw M 6 X 25                    |



**D**  
**15LD**  
**WEBER**

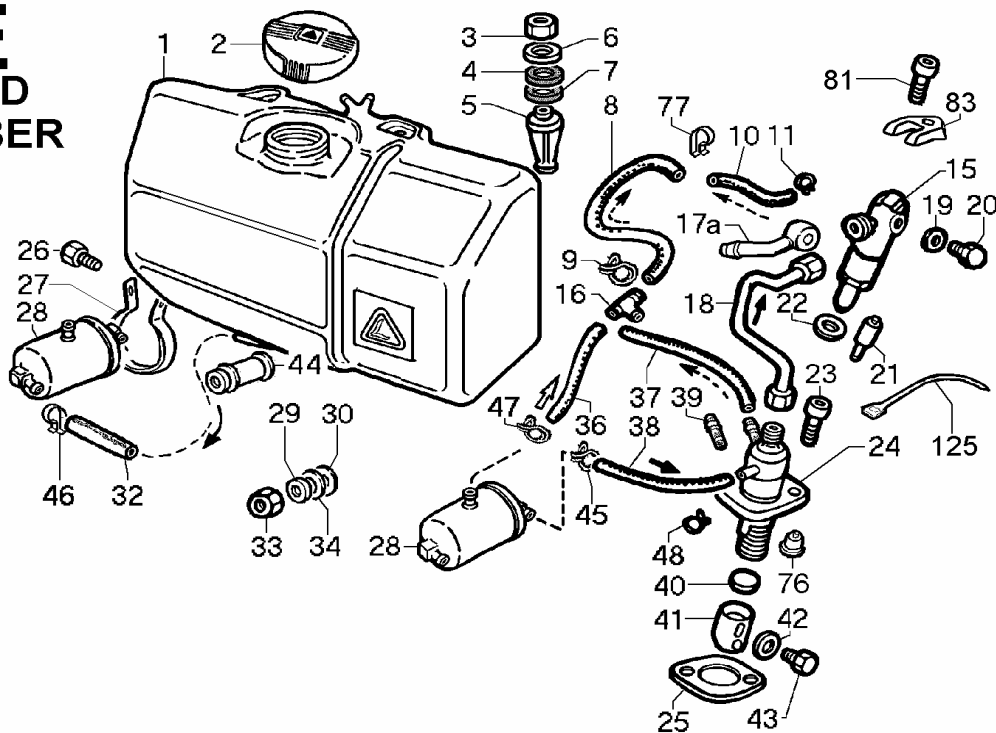


| Versione <b>K</b><br>Version |                       | 3B1930   | 3B1931 | 3B4910 | 3A7613 | 3A7614 | 3A7616 | 3A7623 | 3A7624 | 3B4920 | 3B1171 | 3B13E0   | 3B39E0   | 3B0251 | 3B0254 | 3B4950 | 3B28E2 | 3B40E0      |  |   |
|------------------------------|-----------------------|----------|--------|--------|--------|--------|--------|--------|--------|--------|--------|----------|----------|--------|--------|--------|--------|-------------|--|---|
| Pos.                         | Matricola<br>Part No. | 15LD 400 |        |        |        |        |        |        |        |        |        |          | 15LD 440 |        |        |        |        | Descrizione | Description  |   |
|                              |                       | B/I      | B/I    | B/I    | B/I    | B/I    | B/I    | B/I    | B/I    | B/I    | B/I    | B/EPA II | B/EPA II |        |        | EPA II | EPA II |             |  |   |
| D 77                         | 9220.117              | 1        | 1      | 1      | 1      | 1      | 1      | 1      | 1      | 1      | 1      | 1        | 1        | 1      | 1      | 1      | 1      | 1           | testina cartuccia olio   | oil filter cover                            |
| D 78                         | 1200.384              | 1        | 1      | 1      | 1      | 1      | 1      | 1      | 1      | 1      | 1      | 1        | 1        | 1      | 1      | 1      | 1      | 1           | anello OR <b>ex 1200.370</b>   | O ring 53,70 X 1,78 <b>ex 1200.370</b>      |
| D 80                         | 6605.090              | 1        | 1      | 1      | 1      | 1      | 1      | 1      | 1      | 1      | 1      | 1        | 1        | 1      | 1      | 1      | 1      | 1           | pompa olio   | oil pump                                    |
| D 81                         | 8965.051              |          |        |        |        |        |        | 1      | 1      | 1      |        |          |          |        |        |        |        |             | tappo M 12   | plug M 12                                   |
| D 82                         | 4670.060              |          |        |        |        |        |        | 1      | 1      | 1      |        |          |          |        |        |        |        |             | guarnizione in rame d.12   | copper gasket diam.12                       |
| D 83                         | 2175.155              | 1        | 1      | 1      | 1      | 1      | 1      | 1      | 1      | 1      | 1      | 1        | 1        | 1      | 1      | 1      | 1      | 1           | cartuccia olio   | oil filter cartridge                        |
| D 86                         | 1111.225              | 1        | 1      | 1      | 1      | 1      | 1      | 1      | 1      | 1      | 1      | 1        | 1        | 1      | 1      | 1      | 1      | 1           | albero pompa olio  | oil pump shaft                              |
| D 87                         | 9730.010              | 2        | 2      | 2      | 2      | 2      | 2      | 2      | 2      | 2      | 2      | 2        | 2        | 2      | 2      | 2      | 2      | 2           | vite M 6 X 16  | screw M 6 X 16                              |
| D 88                         | 8836.210              | 1        | 1      | 1      | 1      | 1      | 1      | 1      | 1      | 1      | 1      | 1        | 1        | 1      | 1      | 1      | 1      | 1           | supporto pompa olio  | oil pump support                            |
| D 89                         | 7770.172              | 1        | 1      | 1      | 1      | 1      | 1      | 1      | 1      | 1      | 1      | 1        | 1        | 1      | 1      | 1      | 1      | 1           | rullino 3 X 15,8   | roller 3 X 15,8                             |
| D 92                         | 7980.077              | 1        | 1      | 1      | 1      | 1      | 1      | 1      | 1      | 1      | 1      | 1        | 1        | 1      | 1      | 1      | 1      | 1           | tappo valvola pressione  | pressure valve plug                         |
| D 93                         | 6495.074              | 1        | 1      | 1      | 1      | 1      | 1      | 1      | 1      | 1      | 1      | 1        | 1        | 1      | 1      | 1      | 1      | 1           | pistoncino   | drive rod                                   |
| D 94                         | 5625.023              | 1        | 1      | 1      | 1      | 1      | 1      | 1      | 1      | 1      | 1      | 1        | 1        | 1      | 1      | 1      | 1      | 1           | molla valvola press.   | pressure valve spring                       |
| D 95                         | 8510.152              | 1        | 1      | 1      | 1      | 1      | 1      | 1      | 1      | 1      | 1      | 1        | 1        | 1      | 1      | 1      | 1      | 1           | squadretta   | bracket                                     |
| D 96b                        | 6927.660              | 1        | 1      | 1      | 1      | 1      | 1      | 1      | 1      | 1      |        | 1        | 1        | 1      | 1      | 1      | 1      | 1           | protezione <b>ex 6927.502</b>  | guard <b>ex 6927.502</b>                    |
| D 97                         | « ——— »               |          |        |        |        |        |        |        |        |        |        |          |          |        |        |        |        |             | vedi Pos. 99/99a   | see Pos. 99/99a                             |
| D 98                         | « ——— »               |          |        |        |        |        |        |        |        |        |        |          |          |        |        |        |        |             | vedi Pos. 99/99a   | see Pos. 99/99a                             |
| D 99                         | 2750.409              |          |        |        |        |        |        |        |        |        | 1      |          |          |        |        |        |        |             | COP. ACCEL. E STOP<br>COMPLETO A DISTANZA<br>Pos. 4-14-15-16-17-22-25-26-27-28-29-31-37-39-40-63-<br>66-97-98-99 | REMOTE ACCEL.- STOP<br>GOVERNOR COVER ASS.Y |



# E

## 15LD WEBER

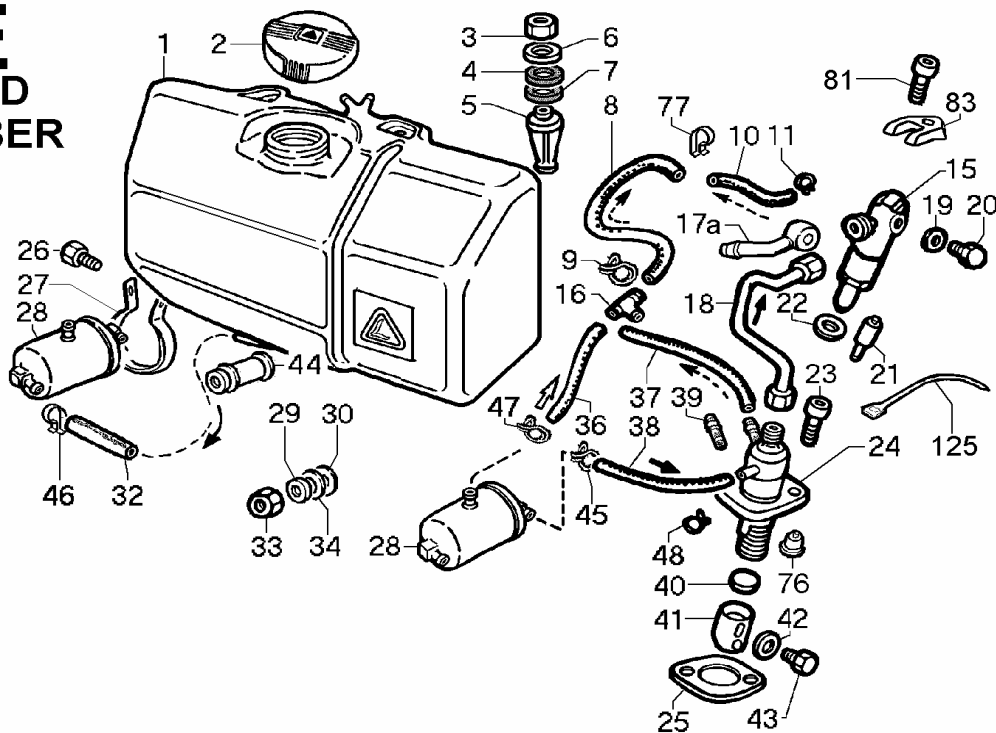


| Versione <b>K</b><br>Version |                       | 3B1930   | 3B1931 | 3B4910 | 3A7613 | 3A7614 | 3A7616 | 3A7623 | 3A7624 | 3B4920 | 3B1171 | 3B13E0 | 3B39E0   | 3B0251   | 3B0254 | 3B4950 | 3B28E2      | 3B40E0      |                           |                          |
|------------------------------|-----------------------|----------|--------|--------|--------|--------|--------|--------|--------|--------|--------|--------|----------|----------|--------|--------|-------------|-------------|---------------------------|--------------------------|
| Pos.                         | Matricola<br>Part No. | 15LD 400 |        |        |        |        |        |        |        |        |        |        | 15LD 440 |          |        |        | Descrizione | Description |                           |                          |
|                              |                       | B/1      | B/1    | B/1    | B/1    | B/1    | B/1    | B/1    | B/1    | B/1    | B/1    | B/1    | B/EPA II | B/EPA II |        |        |             |             | EPA II                    | EPA II                   |
| E 1                          | 8103.317              | 1        | 1      | 1      | 1      | 1      | 1      | 1      | 1      | 1      | 1      | 1      | 1        | 1        | 1      | 1      | 1           | 1           | serbatoio                 | fuel tank                |
| E 2                          | 9043.096              | 1        | 1      | 1      | 1      | 1      | 1      | 1      | 1      | 1      | 1      | 1      | 1        | 1        | 1      | 1      | 1           | 1           | tappo serb. std.          | fuel tank cap std.       |
| E 3                          | 3240.164              | 2        | 2      | 2      | 2      | 2      | 2      | 2      | 2      | 2      | 2      | 2      | 2        | 2        | 2      | 2      | 2           | 2           | dado M 8 flangiato        | nut M 8                  |
| E 4                          | 7701.154              | 2        | 2      | 2      | 2      | 2      | 2      | 2      | 2      | 2      | 2      | 2      | 2        | 2        | 2      | 2      | 2           | 2           | rondella gomma            | rubber washer            |
| E 5                          | 3527.509              | 2        | 2      | 2      | 2      | 2      | 2      | 2      | 2      | 2      | 2      | 2      | 2        | 2        | 2      | 2      | 2           | 2           | distanziale               | spacer                   |
| E 6                          | 7670.118              | 2        | 2      | 2      | 2      | 2      | 2      | 2      | 2      | 2      | 2      | 2      | 2        | 2        | 2      | 2      | 2           | 2           | rondella                  | washer                   |
| E 7                          | 7701.154              | 2        | 2      | 2      | 2      | 2      | 2      | 2      | 2      | 2      | 2      | 2      | 2        | 2        | 2      | 2      | 2           | 2           | rondella gomma            | rubber washer            |
| E 8                          | 9375.872              | 1        | 1      | 1      | 1      | 1      | 1      | 1      | 1      | 1      | 1      | 1      | 1        | 1        | 1      | 1      | 1           | 1           | tubo comb. 5x10 mm. 250   | fuel pipe 5x10 mm. 250   |
| E 9                          | 375R.094              | 2        | 2      | 2      | 2      | 2      | 2      | 2      | 2      | 2      | 2      | 2      | 2        | 2        | 2      | 2      | 2           | 2           | fascetta                  | clamp                    |
| E 10                         | 9375.872              | 1        | 1      | 1      | 1      | 1      | 1      | 1      | 1      | 1      | 1      | 1      | 1        | 1        | 1      | 1      | 1           | 1           | tubo comb. 5x10 mm. 250   | fuel pipe 5x10 mm. 250   |
| E 11                         | 375R.094              | 1        | 1      | 1      | 1      | 1      | 1      | 1      | 1      | 1      | 1      | 1      | 1        | 1        | 1      | 1      | 1           | 1           | fascetta                  | clamp                    |
| E 15                         | 5010.054              | 1        | 1      | 1      | 1      | 1      | 1      | 1      | 1      | 1      | 1      | 1      | 1        | ---      | ---    | ---    | ---         | ---         | iniettore 15LD 400        | injector 15LD 400        |
| E 15                         | 5010.066              | ---      | ---    | ---    | ---    | ---    | ---    | ---    | ---    | ---    | ---    | ---    | 1        | ---      | ---    | ---    | ---         | ---         | iniettore 15LD 400 EPA    | injector 15LD 400 EPA    |
| E 15                         | 5010.058              | ---      | ---    | ---    | ---    | ---    | ---    | ---    | ---    | ---    | ---    | ---    | 1        | 1        | 1      | 1      | ---         | ---         | iniettore 15LD 440        | injector 15LD 440        |
| E 15                         | 6615.117              | ---      | ---    | ---    | ---    | ---    | ---    | ---    | ---    | ---    | ---    | ---    | ---      | ---      | ---    | ---    | 1           | 1           | iniettore 15LD 440 EPA II | injector 15LD 440 EPA II |
| E 16                         | 2527.094              | 1        | 1      | 1      | 1      | 1      | 1      | 1      | 1      | 1      | 1      | 1      | 1        | 1        | 1      | 1      | 1           | 1           | connettore rosso          | hose connector (red)     |
| E 17a                        | 7270.239              | 1        | 1      | 1      | 1      | 1      | 1      | 1      | 1      | 1      | 1      | 1      | 1        | 1        | 1      | 1      | 1           | 1           | raccordo d. 6             | banjo union diam. 6      |
| E 18                         | 9376.029              | 1        | 1      | 1      | 1      | 1      | 1      | 1      | 1      | 1      | 1      | 1      | 1        | 1        | 1      | 1      | 1           | 1           | tubo alta pressione       | high press.pipe          |
| E 19                         | 4670.062              | 2        | 2      | 2      | 2      | 2      | 2      | 2      | 2      | 2      | 2      | 2      | 2        | 2        | 2      | 2      | 2           | 2           | guarnizione in rame d.6,2 | copper gasket diam. 6,2  |
| E 20                         | 1901.171              | 1        | 1      | ---    | 1      | 1      | ---    | 1      | 1      | ---    | 1      | ---    | ---      | 1        | ---    | ---    | ---         | ---         | bullone M 6               | bolt                     |
| E 20                         | 7260.053              | ---      | ---    | 1      | ---    | ---    | ---    | ---    | ---    | 1      | ---    | 1      | 1        | ---      | 1      | 1      | 1           | 1           | raccordo M 6              | union bolt M 6           |



# E

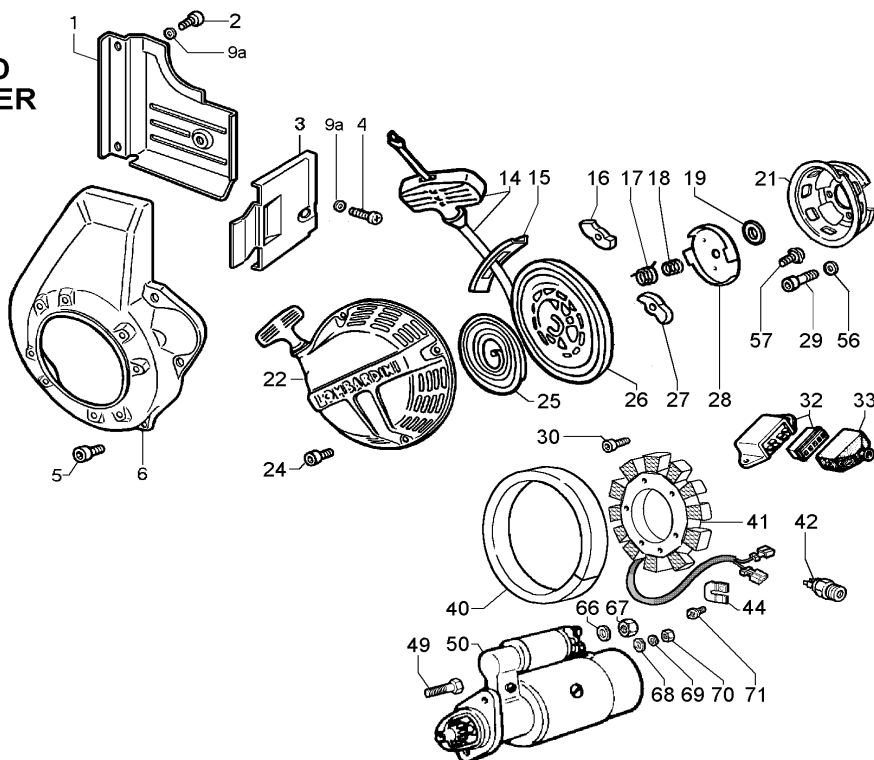
## 15LD WEBER



| Versione <b>K</b><br>Version |                       | 3B1930   | 3B1931 | 3B4910 | 3A7613 | 3A7614 | 3A7616 | 3A7623 | 3A7624 | 3B4920 | 3B1171 | 3B13E0 | 3B39E0   | 3B0251   | 3B0254 | 3B4950 | 3B28E2 | 3B40E0      |             |                            |                                |
|------------------------------|-----------------------|----------|--------|--------|--------|--------|--------|--------|--------|--------|--------|--------|----------|----------|--------|--------|--------|-------------|-------------|----------------------------|--------------------------------|
| Pos.                         | Matricola<br>Part No. | 15LD 400 |        |        |        |        |        |        |        |        |        |        | 15LD 440 |          |        |        |        | Descrizione | Description |                            |                                |
|                              |                       | B/I      | B/I    | B/I    | B/I    | B/I    | B/I    | B/I    | B/I    | B/I    | B/I    | B/I    | B/EPA II | B/EPA II |        |        | EPA II |             |             | EPA II                     |                                |
| E 40                         | 6000.113              | 1        | 1      | 1      | 1      | 1      | 1      | 1      | 1      | 1      | 1      | 1      | 1        | 1        | 1      | 1      | 1      | 1           | 1           | registro (lilla) 4,00      | adjustment cup violet 4,00     |
| E 40                         | 6000.114              | 1        | 1      | 1      | 1      | 1      | 1      | 1      | 1      | 1      | 1      | 1      | 1        | 1        | 1      | 1      | 1      | 1           | 1           | registro (bianco) 4,10     | adjustment cup white 4,10      |
| E 40                         | 6000.115              | 1        | 1      | 1      | 1      | 1      | 1      | 1      | 1      | 1      | 1      | 1      | 1        | 1        | 1      | 1      | 1      | 1           | 1           | registro (giallo) 4,20     | adjustment cup yellow 4,20     |
| E 40                         | 6000.116              | 1        | 1      | 1      | 1      | 1      | 1      | 1      | 1      | 1      | 1      | 1      | 1        | 1        | 1      | 1      | 1      | 1           | 1           | registro (arancio) 4,30    | adjustment cup orange 4,30     |
| E 40                         | 6000.117              | 1        | 1      | 1      | 1      | 1      | 1      | 1      | 1      | 1      | 1      | 1      | 1        | 1        | 1      | 1      | 1      | 1           | 1           | registro (azzurro) 4,40    | adjustment cup light blue 4,40 |
| E 40                         | 6000.118              | 1        | 1      | 1      | 1      | 1      | 1      | 1      | 1      | 1      | 1      | 1      | 1        | 1        | 1      | 1      | 1      | 1           | 1           | registro (verde) 4,50      | adjustment cup green 4,50      |
| E 40                         | 6000.119              | 1        | 1      | 1      | 1      | 1      | 1      | 1      | 1      | 1      | 1      | 1      | 1        | 1        | 1      | 1      | 1      | 1           | 1           | registro (blu) 4,60        | adjustment cup blue 4,60       |
| E 40                         | 6000.120              | 1        | 1      | 1      | 1      | 1      | 1      | 1      | 1      | 1      | 1      | 1      | 1        | 1        | 1      | 1      | 1      | 1           | 1           | registro (rosso) 4,70      | adjustment cup red 4,70        |
| E 40                         | 6000.121              | 1        | 1      | 1      | 1      | 1      | 1      | 1      | 1      | 1      | 1      | 1      | 1        | 1        | 1      | 1      | 1      | 1           | 1           | registro (grigio) 4,80     | adjustment cup grey 4,80       |
| E 40                         | 6000.122              | 1        | 1      | 1      | 1      | 1      | 1      | 1      | 1      | 1      | 1      | 1      | 1        | 1        | 1      | 1      | 1      | 1           | 1           | registro (lilla) 4,90      | adjustment cup violet 4,90     |
| E 41                         | 7215.133              | 1        | 1      | 1      | 1      | 1      | 1      | 1      | 1      | 1      | 1      | 1      | 1        | 1        | 1      | 1      | 1      | 1           | 1           | punteria (EPA)             | push rod (EPA)                 |
| E 42                         | 7625.303              | 1        | 1      | 1      | 1      | 1      | 1      | 1      | 1      | 1      | 1      | 1      | 1        | 1        | 1      | 1      | 1      | 1           | 1           | rondella diam. 6,5         | washer diam. 6,5               |
| E 43                         | 9765.182              | 1        | 1      | 1      | 1      | 1      | 1      | 1      | 1      | 1      | 1      | 1      | 1        | 1        | 1      | 1      | 1      | 1           | 1           | vite M 6 X 1 (ex 9765.170) | screw M 6 X 1 (ex 9765.170)    |
| E 44                         | 3527.419              | 2        | 2      | 2      | 2      | 2      | 2      | 2      | 2      | 2      | 2      | 2      | 2        | 2        | 2      | 2      | 2      | 2           | 2           | distanziale                | spacer                         |
| E 45                         | 375R.094              | 1        | 1      | 1      | 1      | 1      | 1      | 1      | 1      | 1      | 1      | 1      | 1        | 1        | 1      | 1      | 1      | 1           | 1           | fascetta                   | clamp                          |
| E 46                         | 375R.094              | 1        | 1      | 1      | 1      | 1      | 1      | 1      | 1      | 1      | 1      | 1      | 1        | 1        | 1      | 1      | 1      | 1           | 1           | fascetta                   | clamp                          |
| E 47                         | 375R.094              | 1        | 1      | 1      | 1      | 1      | 1      | 1      | 1      | 1      | 1      | 1      | 1        | 1        | 1      | 1      | 1      | 1           | 1           | fascetta                   | clamp                          |
| E 48                         | 375R.094              | 1        | 1      | 1      | 1      | 1      | 1      | 1      | 1      | 1      | 1      | 1      | 1        | 1        | 1      | 1      | 1      | 1           | 1           | fascetta                   | clamp                          |
| E 76                         | 9672.154              | 1        | 1      | 1      | 1      | 1      | 1      | 1      | 1      | 1      | 1      | 1      | 1        | 1        | 1      | 1      | 1      | 1           | 1           | valvola di mandata         | delivery valve                 |
| E 77                         | 3630.050              | 2        | 2      | 2      | 2      | 2      | 2      | 2      | 2      | 2      | 2      | 2      | 2        | 2        | 2      | 2      | 2      | 2           | 2           | fascetta clic d. 9-11      | clamp diam.10,5                |
| E 81                         | 9732.078              | 1        | 1      | 1      | 1      | 1      | 1      | 1      | 1      | 1      | 1      | 1      | 1        | 1        | 1      | 1      | 1      | 1           | 1           | vite M 6 X 25              | screw M 6 X 25                 |
| E 83                         | 8545.793              | 1        | 1      | 1      | 1      | 1      | 1      | 1      | 1      | 1      | 1      | 1      | 1        | 1        | 1      | 1      | 1      | 1           | 1           | staffa iniettore           | bracket                        |
| E125                         | 2471.006              | 1        | 1      | 1      | 1      | 1      | 1      | 1      | 1      | 1      | 1      | 1      | 1        | 1        | 1      | 1      | 1      | 1           | 1           | collare                    | collar                         |



**F**  
**15LD**  
**WEBER**



| Versione <b>K</b><br>Version |                       | 3B1930   | 3B1931 | 3B4910 | 3A7613 | 3A7614 | 3A7616 | 3A7623 | 3A7624 | 3B4920 | 3B1171 | 3B13E0   | 3B39E0   | 3B0251 | 3B0254 | 3B4950 | 3B28E2      | 3B40E0      |  |  |
|------------------------------|-----------------------|----------|--------|--------|--------|--------|--------|--------|--------|--------|--------|----------|----------|--------|--------|--------|-------------|-------------|--|--|
| Pos.                         | Matricola<br>Part No. | 15LD 400 |        |        |        |        |        |        |        |        |        |          | 15LD 440 |        |        |        | Descrizione | Description |  |  |
|                              |                       | B/1      | B/1    | B/1    | B/1    | B/1    | B/1    | B/1    | B/1    | B/1    | B/1    | B/EPA II | B/EPA II |        |        | EPA II |             |             | EPA II   |  |
| F 30                         | 992R.046              | 3        | 3      | 3      | 3      | 3      | 3      |        |        |        | 3      | 3        | 3        | 3      | 3      | 3      | 3           | 3           | vite M 6 X 22  | screw M 6 X 22   |
| F 32                         | 7362.228              | 1        | 1      | 1      | 1      | 1      | 1      |        |        |        |        | 1        | 1        | 1      | 1      | 1      | 1           | 1           | regolatore tens. 12V 14/21A-<br>6 cont per alt. 3 fili                                     | voltage regulator.12V 14/21A-<br>6 contacts for altern.3 wires                               |
| F 32                         | 7362.294              |          |        |        |        |        |        |        |        |        | 1      |          |          |        |        |        |             |             | regolatore tens. 12V 21A<br>predisp.contagiri elettronico-<br>6+W contatti per alt. 3 fili | volt.regulator 12V 21A fitted<br>for electronic tachometer -<br>6+W contact for 3 wires alt. |
| F 33                         | 2145.014              | 1        | 1      | 1      | 1      | 1      | 1      |        |        |        | 1      | 1        | 1        | 1      | 1      | 1      | 1           | 1           | cappuccio regolatore   | regulator cap  |
| F 40                         | 2002.019              | 1        | 1      | 1      | 1      | 1      | 1      |        |        |        | 1      | 1        | 1        | 1      | 1      | 1      | 1           | 1           | rotore plastoferr.12V 12/20 A  | plastroferr.rotor 12V 12/20 A  |
| F 41                         | 8565.106              | 1        | 1      | 1      | 1      | 1      | 1      |        |        |        | 1      | 1        | 1        | 1      | 1      | 1      | 1           | 1           | statore alt. 12V - 3 fili  | alt.stator 12 V 12 A - 3 wires   |
| F 42                         | 6745.042              | 1        | 1      | 1      | 1      | 1      | 1      |        |        |        | 1      | 1        | 1        | 1      | 1      | 1      | 1           | 1           | pressostato 0,6 bar (M 12)   | press.oil switch 0,6 bar (M 12)  |
| F 44                         | 6275.187              | 1        | 1      | 1      | 1      | 1      | 1      |        |        |        | 1      | 1        | 1        | 1      | 1      | 1      | 1           | 1           | piastrina  | safety plate   |
| F 49                         | 9730.044              | 2        | 2      | 2      | 2      | 2      | 2      |        |        |        | 2      | 2        | 2        | 2      | 2      | 2      | 2           | 2           | vite M 10 X 25   | screw M 10 X 25  |
| F 50                         | 5840.218              | 1        | 1      |        | 1      | 1      | 1      |        |        |        | 1      | 1        |          | 1      | 1      |        | 1           |             | motorino avv. 12 V BOSCH   | starting motor 12 V  |
| F 50                         | 5840.215              |          |        | 1      |        |        |        |        |        |        |        |          | 1        |        |        | 1      |             | 1           | motorino avv. 12 V ISKRA   | starting motor 12 V  |
| F 56                         | 7565.007              | 3        | 3      | 3      | 3      | 3      | 3      | 3      | 3      | 3      | 3      | 3        | 3        | 3      | 3      | 3      | 3           | 3           | rondella diam. 8   | washer diam. 8   |
| F 57                         | 9730.340              | 1        | 1      | 1      | 1      | 1      | 1      | 1      | 1      | 1      | 1      | 1        | 1        | 1      | 1      | 1      | 1           | 1           | vite M 5 X 10  | screw M 5 X 10   |
| F 66                         | 7565.007              | 1        | 1      | 1      | 1      | 1      | 1      |        |        |        | 1      | 1        | 1        | 1      | 1      | 1      | 1           | 1           | rondella diam. 8   | washer diam. 8   |
| F 67                         | 3240.018              | 1        | 1      | 1      | 1      | 1      | 1      |        |        |        | 1      | 1        | 1        | 1      | 1      | 1      | 1           | 1           | dado M 8   | nut M 8  |
| F 68                         | 7625.008              | 1        | 1      | 1      | 1      | 1      | 1      |        |        |        | 1      | 1        | 1        | 1      | 1      | 1      | 1           | 1           | rondella diam. 6,4   | washer diam. 6,4   |
| F 69                         | 7555.004              | 1        | 1      | 1      | 1      | 1      | 1      |        |        |        | 1      | 1        | 1        | 1      | 1      | 1      | 1           | 1           | 1  | washer diam. 6   |
| F 70                         | 3240.009              | 1        | 1      | 1      | 1      | 1      | 1      |        |        |        | 1      | 1        | 1        | 1      | 1      | 1      | 1           | 1           | dado M 6   | nut M 6  |
| F 71                         | 9790.037              | 1        | 1      | 1      | 1      | 1      | 1      |        |        |        | 1      | 1        | 1        | 1      | 1      | 1      | 1           | 1           | vite M 6 X 8   | screw M 6 X 8  |