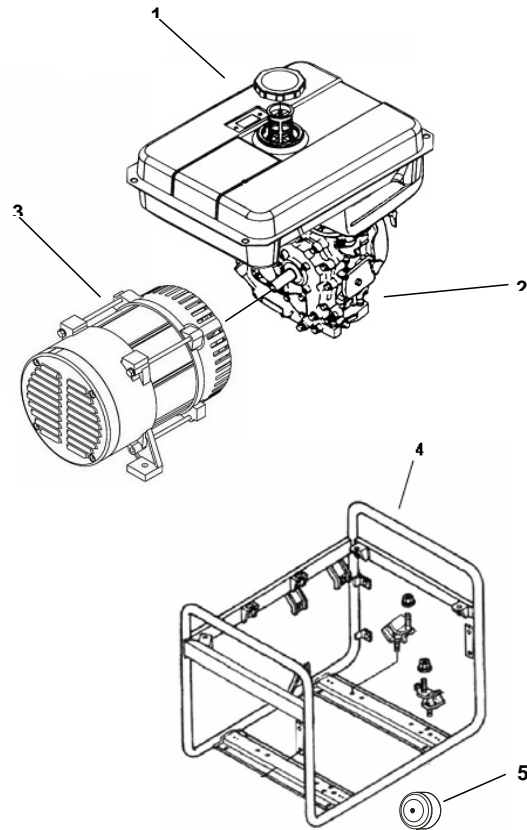


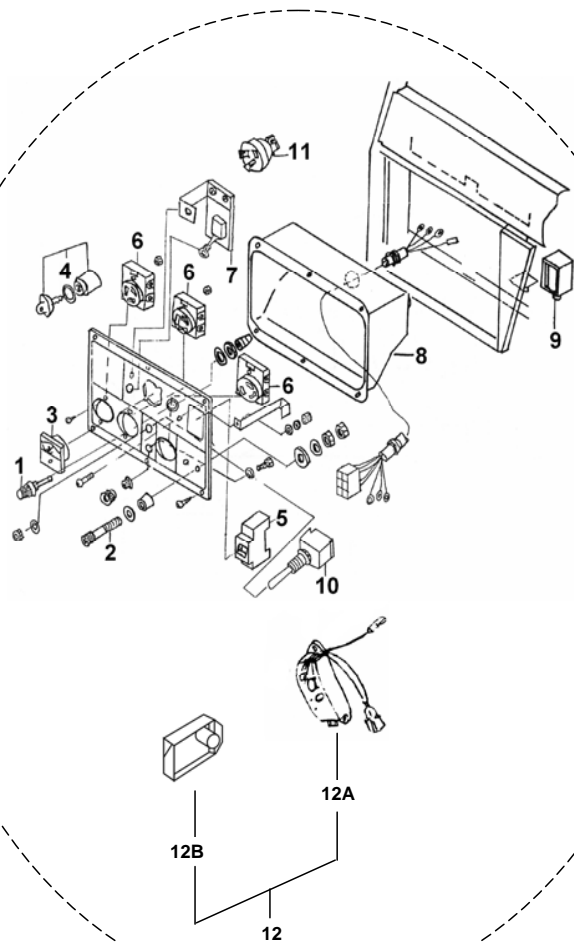
(1) CONJUNTO GERADOR SÉRIE "CX" DIESEL



(1) CONJUNTO GERADOR SÉRIE "CX" DIESEL

| Pos | Código | Descrição | Aplicação | Qtd | |
|----------------|-------------|------------------------------|---------------------------|--------------|---|
| 1 | K170FG1101 | TANQUE COMPLETO | TK2500CX | 1 | |
| | K178FG1101 | TANQUE COMPLETO | TK(4000/6000)CX | 1 | |
| | S178FG1101 | TANQUE COMPLETO | TD4000CX/TD6000CXS | 1 | |
| | S186FG1101 | TANQUE COMPLETO | TD7000CXE/CX3E/CX3ED/CXEW | 1 | |
| 2 | T50FGX | MOTOR COMPLETO | TK2500CX | 1 | |
| | T70FGX | MOTOR COMPLETO | TK4000CX | 1 | |
| | TD70FGX | MOTOR COMPLETO | TD4000CX | 1 | |
| | T70FGXE | MOTOR C/ PARTIDA ELET. | TK4000CXE | 1 | |
| | TD70FGEX | MOTOR C/ PARTIDA ELET. | TD4000CXE | 1 | |
| | T100FGX | MOTOR COMPLETO | TK6000CX | 1 | |
| | TD100FGX | MOTOR COMPLETO | TD6000CXS | 1 | |
| | T100FGXE | MOTOR C/ PARTIDA ELET. | TK6000CXE | 1 | |
| | TD100FGEX | MOTOR C/ PARTIDA ELET. | TD6000CXES | 1 | |
| | TD100FAGEX | MOTOR FA C/ PERTIDA ELETRICA | TD7000CXE/3 | 1 | |
| | 3 | K170FG1602 | ALTERNADOR COMPLETO | TK2500CX | 1 |
| | | K178FG1602 | ALTERNADOR COMPLETO | TK4000CX/CXE | 1 |
| S178FG1602 | | ALTERNADOR COMPLETO | TD4000CX/CXE | 1 | |
| K186FG1602 | | ALTERNADOR COMPLETO | TK6000CX/CXE | 1 | |
| S186FG1602 | | ALTERNADOR COMPLETO | TD6000CXS/CXES | 1 | |
| S186FG1602B | | ALTERNADOR COMPLETO | TD7000CXE | 1 | |
| K186FGT1602 | | ALTERNADOR COMPLETO | TK6000CX3 | 1 | |
| S186FGT1603 | | ALTERNADOR COMPLETO | TD7000CX3E / TD7000SGE3 | 1 | |
| K186FGT1602D | | ALTERNADOR COMPLETO | TK6000CX3D | 1 | |
| S186FGT1603D | | ALTERNADOR COMPLETO | TD7000CX3ED / TD7000SGE3D | 1 | |
| S186FG1604 | | ALTERNADOR COMPLETO | TD7000CXEW | 1 | |
| S186FGT1603HA | | ALTERNADOR COMPLETO (AVR HÁ) | TD7000CX3E / TD7000SGE3 | 1 | |
| S186FGT1603DHA | | ALTERNADOR COMPLETO (AVR HÁ) | TD7000CX3ED / TD7000SGE3D | 1 | |
| 4 | | QD2500CX | QUADRO COMPLETO | TK2500CX | 1 |
| | QD4000CX | QUADRO COMPLETO | TK(4000/6000)CX | 1 | |
| | QD4000CXS | QUADRO COMPLETO | TD4000CX/TD6000CXS | 1 | |
| | QD7000CX | QUADRO COMPLETO | TD7000CXE/CX3E/CX3ED/CXEW | 1 | |
| 5 | K186FGT1967 | RODA | TK(4000/6000)CX/CX3/CX3D | 4 | |
| | S186FGT1968 | RODA | TD7000CXE/CX3E/CX3ED/CXEW | 4 | |

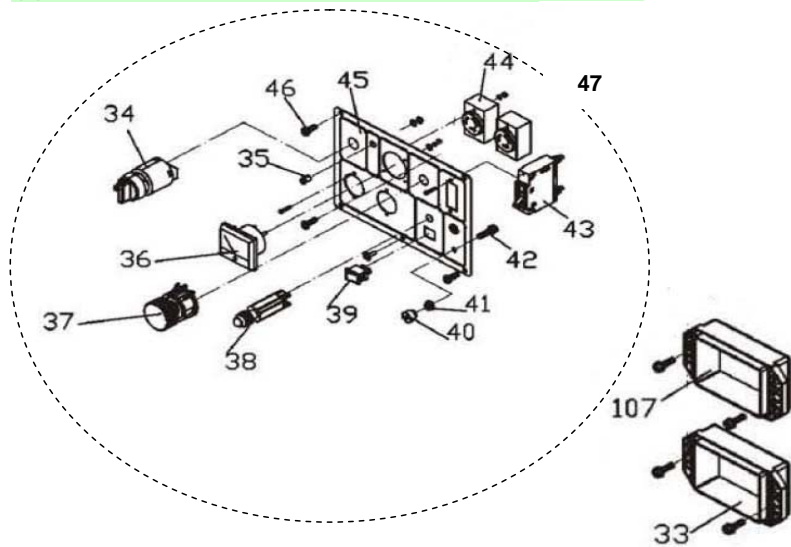
(2) PAINEL SÉRIE "CX" DIESEL



(2) PAINEL SÉRIE "CX" DIESEL

| Pos | Código | Descrição | Aplicação | Qtd |
|-----------|--------------|---------------------------------------|--|----------|
| 1 | K170FG1906 | FUSÍVEL | TK(2500/4000/6000)CX/3 TD(4000/6000/7000)CX/3 | 1 |
| 2 | K170FG1907 | TERMINAL TERRA | TK(2500/4000/6000) CX TD(4000/6000/7000)CX/3 | 1 |
| 3 | K170FG1909 | VOLTÍMETRO | TK(2500/4000/6000) CX | 1 |
| | S178FG1909 | VOLTÍMETRO | TD(4000/6000/7000) CX | 1 |
| | K186FGT1909 | VOLTÍMETRO | TK6000CX3 | 1 |
| | S186FGT1909 | VOLTÍMETRO | TD7000CX3/CX3D TD7000SGE3/SGE3D | 1 |
| | S186FG1909B | VOLTÍMETRO DIGITAL MONOFÁSICOS | TD7000CXE / CXE-ATS / SGE | 1 |
| | S186FG1909C | VOLTÍMETRO DIGITAL TRIFÁSICO 380 | TD7000CX3E/TD7000SGE3 | 1 |
| | S186FG1909D | VOLTÍMETRO DIGITAL TRIFÁSICO 220 | TD7000CX3ED/TD7000SGE3D | 1 |
| 4 | K170FE1404 | CHAVE DE IGNIÇÃO | TK(2500/4000/6000) CX/3 TD(4000/6000/7000)CX/3 | 1 |
| 5 | K170FG1921 | DISJUNTOR | TK2500CX | 1 |
| | K178FG1921 | DISJUNTOR | TK4000CX/TD4000CX | 1 |
| | K186FG1921 | DISJUNTOR | TK6000CX/TD6000CX/TK7000CXE | 1 |
| | K186FGT1921 | DISJUNTOR TRIFÁSICO | TK6000CX3/CX3D TD7000CX3E/TD7000CX3ED TD7000SGE3/SGE3D | 1 |
| 6 | K170FG1927 | TOMADA 3P. | TK(2500/4000/6000) CX TD(4000/6000/7000) CX | 3 |
| | K170FG1927 | TOMADA 3P. | TK6000CX3/CX3D TD7000CX3E/TD7000CX3ED | 2 |
| | K170FG1957 | TOMADA 5P. | TK6000CX3/CX3D TD7000CX3E/TD7000CX3ED TD7000SGE3/SGE3D | 1 |
| | S170FG1957B | TOMADA 4 PINOS P GERADOR ATS | TD7000SGE-ATS / TD7000CXE-ATS | |
| 7 | K170FG1932 | LED INDICADOR | TK(2500/4000/6000) CX/3 TD(4000/6000/7000) CX/3 | 1 |
| 8 | K170FG1933 | TAMPA TRASEIRA | TK(2500/4000/6000) CX/3 TD(4000/6000/7000) CX/3 | 1 |
| 9 | K170FG1952 | SOLENOÍDE | TK(2500/4000/6000) CX/3 TD(4000/6000/7000) CX/3 | 1 |
| 10 | K170FG1959 | CHAVE COMUTADORA | TK(2500/4000/6000) CX TD(4000/6000/7000) CX | 1 |
| 11 | K170FG1960 | PLUGUE MACHO TOMADA 3P. | TK(2500/4000/6000) CX/3 TD(4000/6000/7000) CX/3 | 1 |
| | K186FGT1965 | PLUGUE MACHO TOMADA 5P. | TK6000CX3 TD7000CX3E/TD7000CX3ED | 1 |
| 12 | AVR | CONSULTE A PARTIR DA PAGINA 15 | | 1 |
| 12A | K170FG1611 | AVR MODELO MEIA-LUA (GERADORES TK) | TK2500CX | 1 |
| | K178FG1611 | AVR MODELO MEIA-LUA (GERADORES TK) | TK4000CX | 1 |
| | K186FG1611 | AVR MODELO MEIA-LUA (GERADORES TK) | TK6000CX | 1 |
| | K186FGT1611 | AVR MODELO MEIA-LUA (GERADORES TK) | TK6000CX3 | 1 |
| | K186FGT3611 | AVR MODELO MEIA-LUA (GERADORES TK) | TK6000CX3D | 1 |
| | K178FG1611P | AVR MODELO QUADRADO | TK4000CX | 1 |
| | K186FG1611P | AVR MODELO QUADRADO | TK6000CX | 1 |
| | K186FGT1611P | AVR MODELO QUADRADO | TK6000CX3 | 1 |
| | K186FGT3611P | AVR MODELO QUADRADO | TK6000CX3D | 1 |
| 13 | K186FG1961 | TAMPA DO PAINEL | TK(2500/4000/6000) CX/3 | 1 |
| 13 | S186FG1961 | TAMPA DO PAINEL | TD(4000/6000/7000) CX/3 | 1 |
| 14 | S178FG1905 | PAINEL COMPLETO TD4000CX | TD4000CX / TD6000CX / TD7000CX | 1 |
| | S186FGMOATS | PAINEL COMPLETO TD7000CXE-ATS | TD7000CXE-ATS | 1 |
| | S186FGTOATS | PAINEL COMPLETO TD7000CX3ED-ATS | TD7000CX3ED-ATS | 1 |
| | S186FG1905 | PAINEL COMPLETO TD7000CXE | TD4000CX / TD6000CX / TD7000CXE | 1 |
| | S186FGT1905 | PAINEL COMPLETO TD7000CX3E 380V | TD7000CX3E | 1 |
| | S186FGTD1905 | PAINEL COMPLETO TD7000CX3ED 220V | TD7000CX3ED | 1 |

(3) PAINEL SÉRIE "CXEW" DIESEL

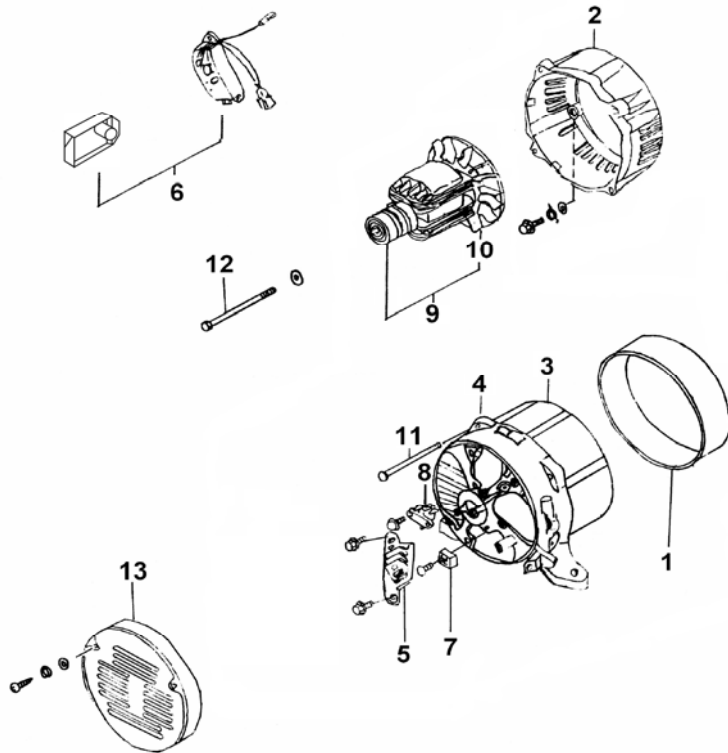


(3) PAINEL SÉRIE "CXEW" DIESEL

| Pos | Código | Descrição | Aplicação | Qty |
|-----|-------------|-----------------------------|------------|-----|
| 34 | K170FE1404 | CHAVE DE PARTIDA | TD7000CXEW | 1 |
| 35 | K170FG1932 | LED INDICADOR | TD7000CXEW | 1 |
| 36 | S186FG1627W | VOLTÍMETRO | TD7000CXEW | 1 |
| 37 | S186FG1628W | AJUSTE DE CORRENTE DE SOLDA | TD7000CXEW | 1 |
| 38 | S186FG1629W | ALERTA DE SOBRECARGA | TD7000CXEW | 1 |
| 39 | S186FG1630W | SELETOR DE FUNÇÃO | TD7000CXEW | 1 |
| 43 | S186FG1634W | DISJUNTOR | TD7000CXEW | 1 |
| 44 | 7MEP0001 | TOMADA 2P+T 16A 220V AZUL | TD7000CXEW | 2 |
| 45 | S186FG1636W | TAMPA DO PAINEL | TD7000CXEW | 1 |
| 46 | S186FG1637W | PARAFUSO M6x16 | TD7000CXEW | 4 |
| 47 | S186FG1647W | PAINEL COMPLETO | TD7000CXEW | 1 |

| Pos | Código | Descrição | Aplicação | Qty |
|-----|-------------|--------------------------|------------|-----|
| 33 | S186FG1638W | MÓDULO DE CONTROLE SOLDA | TD7000CXEW | 1 |
| 107 | S186FG1639W | AVR | TD7000CXEW | 1 |

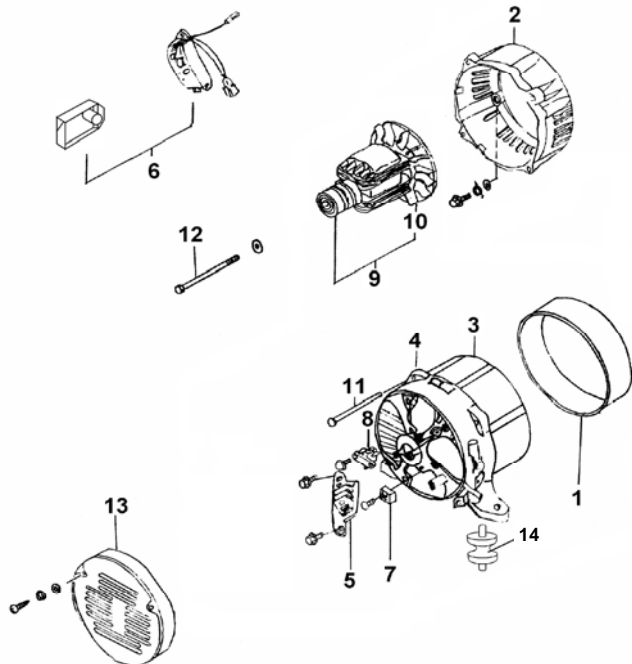
(4) ALTERNADOR SÉRIE "CX" / 2500CX / 4000CX



(4) ALTERNADOR SÉRIE "CX" DIESEL

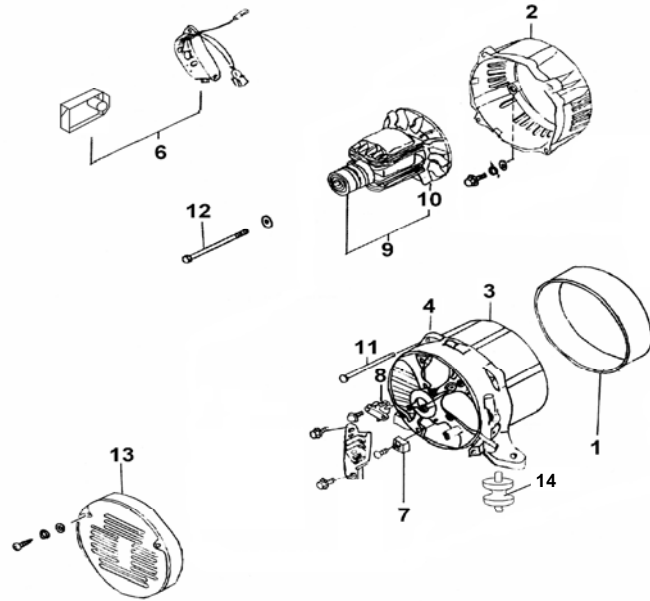
| Pos | Código | Descrição | Aplicação | Qtd |
|-----|--------------|-------------------------|----------------------|-----|
| 1 | K170FG1601 | CHAPA DE PROTEÇÃO | TK2500CX | 1 |
| | K178FG1601 | CHAPA DE PROTEÇÃO | TK4000CX | 1 |
| 2 | K170FG1603 | TAMPA FRONTAL (FLANGE) | TK2500CX | 1 |
| | K178FGO1603 | TAMPA FRONTAL x 190 mm | TK4000CX | 1 |
| | K178FG1603 | TAMPA FRONTAL x 204 mm | TK4000CX | 1 |
| 3 | K170FG1606 | ESTATOR | TK2500CX | 1 |
| | K178FGO1606 | ESTATOR x 190mm | TK4000CX | 1 |
| | K178FG1606 | ESTATOR x 204mm | TK4000CX | 1 |
| 4 | K170FG1607 | TAMPA BASE | TK2500CX | 1 |
| | K178FG1607 | TAMPA BASE | TK4000CX | 1 |
| 5 | K170FG1608 | CONEXÃO | TK2500CX | 1 |
| | K178FG1608 | CONEXÃO | TK4000CX | 1 |
| 6 | KXXXFG1611 * | AVR | TK(2500/4000/6000)CX | 1 |
| 7 | K170FG1613 | RETIFICADOR | TK(2500/4000/6000)CX | 1 |
| 8 | K170FG1615 | SUPORTE C/ ESCOVAS | TK2500CX | 1 |
| | K178FG1615 | SUPORTE C/ ESCOVAS | TK4000CX | 1 |
| 9 | K170FG1616 | ROTOR | TK2500CX | 1 |
| | K178FGO1616 | ROTOR x 190mm | TK4000CX | 1 |
| | K178FG1616 | ROTOR x 204mm | TK4000CX | 1 |
| 10 | K170FG1617 | VENTOINHA | TK2500CX | 1 |
| | K178FG1617 | VENTOINHA | TK4000CX | 1 |
| 11 | K170FG1619 | PARAFUSO M6x120 | TK2500CX | 4 |
| | K178FG1619 | PARAFUSO M6x120 | TK4000CX | 4 |
| 12 | K170FG1620 | PARAFUSO M10x214 | TK2500CX | 1 |
| | K178FG1620 | PARAFUSO M10x214 | TK4000CX | 1 |
| 13 | K170FG1623 | TAMPA TRASEIRA | TK2500CX | 1 |
| | K178FGO1623 | TAMPA TRASEIRA x 190 mm | TK4000CX | 1 |
| | K178FG1623 | TAMPA TRASEIRA x 204 mm | TK4000CX | 1 |

* CONFIRA DESCRIÇÃO DETALHADA DO AVR A PARTIR DA PAGINA 15

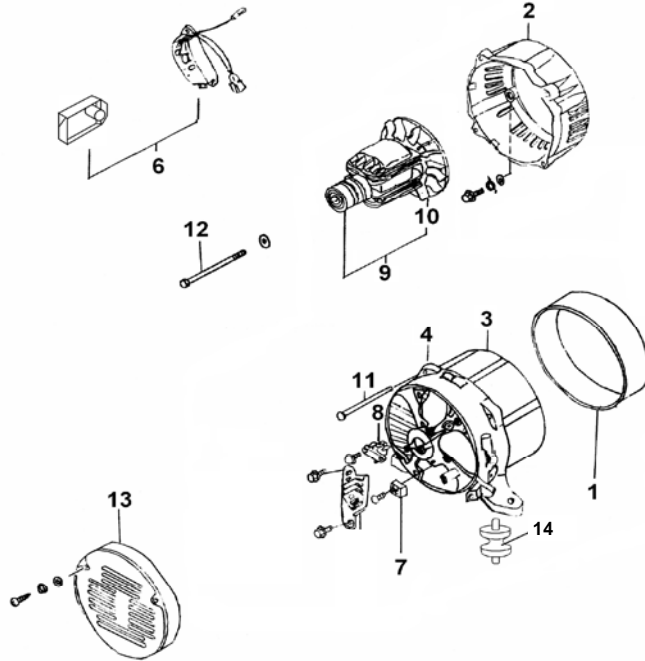
(5) ALTERNADOR SÉRIE "CX" DIESEL / 6000CX**(5) ALTERNADOR SÉRIE "CX" DIESEL**

| Pos | Código | Descrição | Aplicação | Qtd |
|-----|--------------|-------------------------|----------------------|-----|
| 1 | K186FG1601 | CHAPA DE PROTEÇÃO | TK6000CX / CX3 | 1 |
| 2 | K186FGO1603 | TAMPA FRONTAL x 190 mm | TK6000CX / CX3 | 1 |
| | K186FG1603 | TAMPA FRONTAL x 204 mm | TK6000CX / CX3 | 1 |
| 3 | K186FG1606 | ESTATOR x 190mm | TK6000CX | 1 |
| | K186FGO1606 | ESTATOR x 204mm | TK6000CX | 1 |
| | K186FGTO1606 | ESTATOR x 190mm | TK6000CX3 | 1 |
| | K186FGT1606 | ESTATOR x 204mm | TK6000CX3 | 1 |
| | K186FGTO3606 | ESTATOR x 190mm | TK6000CX3D | 1 |
| | K186FGT3606 | ESTATOR x 204mm | TK6000CX3D | 1 |
| 4 | K186FG1607 | TAMPA BASE (L COXIM) | TK6000CX / CX3 | 1 |
| 5 | K186FG1608 | CONEXÃO | TK6000CX / CX3 | 1 |
| 6 | KXXXFG1611 * | AVR | TK(2500/4000/6000)CX | 1 |
| 7 | K186FG1613 | RETIFICADOR | TK6000CX | 1 |
| | K186FGT1613 | RETIFICADOR | TK6000CX3 | 1 |
| 8 | K186FG1615 | SUPORTE C/ ESCOVAS | TK6000CX / CX3 | 1 |
| 9 | K186FGO1616 | ROTOR x 190mm | TK6000CX | 1 |
| | K186FG1616 | ROTOR x 204mm | TK6000CX | 1 |
| | K186FGTO1616 | ROTOR x 190mm | TK6000CX3 | 1 |
| | K186FGT1616 | ROTOR x 204mm | TK6000CX3 | 1 |
| | K186FGTO3616 | ROTOR x 190mm | TK6000CX3D | 1 |
| | K186FGT3616 | ROTOR x 204mm | TK6000CX3D | 1 |
| 10 | K186FG1617 | VENTOINHA | TK6000CX | 1 |
| | K186FGT1617 | VENTOINHA | TK6000CX3 | 1 |
| 11 | K186FG1619 | PARAFUSO M6x120 | TK6000CX / CX3 | 4 |
| 12 | K186FG1620 | PARAFUSO M10x214 | TK6000CX / CX3 | 1 |
| 13 | K186FGO1623 | TAMPA TRASEIRA x 190 mm | TK6000CX / CX3 | 1 |
| 13 | K186FG1623 | TAMPA TRASEIRA x 204 mm | TK6000CX / CX3 | 1 |
| 14 | K170FG1966 | COXIM | TK2500 CX | 2 |
| | K178FG1967 | COXIM | TK4000 CX | 2 |
| | K186FG1968 | COXIM | TK6000CX / CX3 | 2 |

* CONFIRA DESCRIÇÃO DETALHADA DO AVR A PARTIR DA PAGINA 15

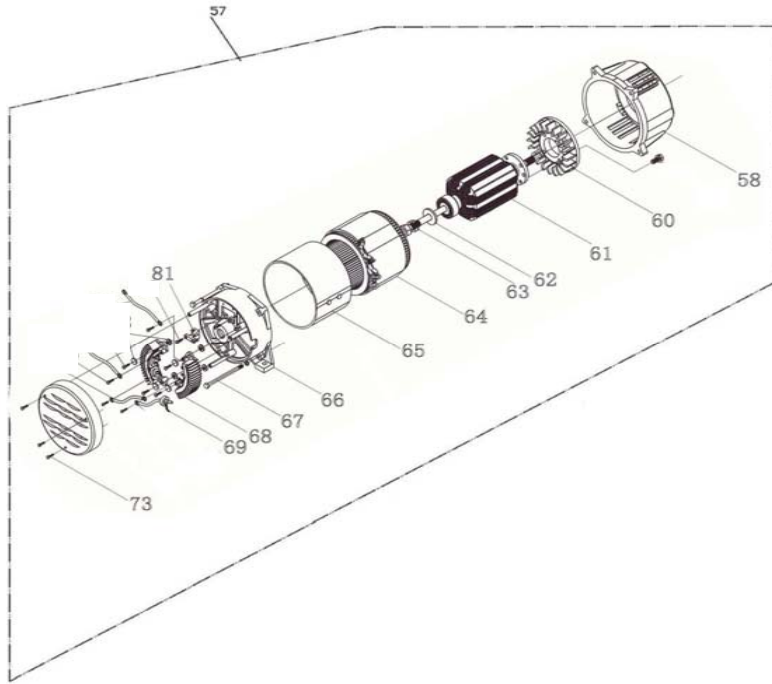
(6) ALTERNADOR DIESEL TD4000CX**(6) ALTERNADOR SÉRIE "CX" DIESEL**

| Pos | Código | Descrição | Aplicação | Qty |
|-----|------------|----------------------|-----------|-----|
| 1 | S178FG1601 | CHAPA DE PROTEÇÃO | TD4000CX | 1 |
| 2 | S178FG1603 | TAMPA FRONTAL | TD4000CX | 1 |
| 3 | S178FG1606 | ESTATOR | TD4000CX | 1 |
| 4 | S178FG1607 | TAMPA BASE (L COXIM) | TD4000CX | 1 |
| 7 | S178FG1613 | RETIFICADOR | TD4000CX | 1 |
| 8 | S178FG1615 | SUPORTE C/ ESCOVAS | TD4000CX | 1 |
| 9 | S178FG1616 | ROTOR | TD4000CX | 1 |
| 10 | S178FG1617 | VENTOINHA | TD4000CX | 1 |
| 11 | S178FG1619 | PARAFUSO M6x120 | TD4000CX | 4 |
| 12 | S178FG1620 | PARAFUSO M10x214 | TD4000CX | 1 |
| 13 | S178FG1623 | TAMPA TRASEIRA | TD4000CX | 1 |
| 14 | S178FG1967 | COXIM | TD4000CX | 2 |

(7) ALTERNADOR DIESEL TD6000CXS/TD7000CXE**(7) ALTERNADOR SÉRIE "CX" DIESEL**

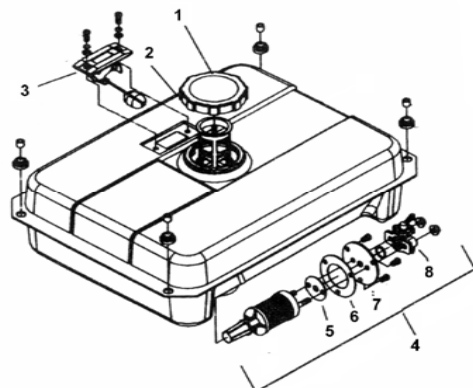
| Pos | Código | Descrição | Aplicação | Qtd |
|----------|---------------|---------------------------------------|--|----------|
| 1 | S186FG1601 | CHAPA DE PROTEÇÃO | TD(6000/7000) CX | 1 |
| | S186FG16013P | CHAPA DE PROTEÇÃO TRI | TD7000CX3/CX3ED | 1 |
| 2 | S186FG1603 | TAMPA FRONTAL | TD(6000/7000) CX/3 | 1 |
| | S186FG1606 | ESTATOR | TD6000CXS/TD7000CXE | 1 |
| | S186FGT1606 | ESTATOR | TD7000CX3E / TD7000SGE3 | 1 |
| | S186FGT1606HA | ESTATOR (AVR HÁ) | TD7000CX3E / TD7000SGE3 | 1 |
| | S186FGT3606 | ESTATOR | TD7000CX3ED / TD7000SGE3D | 1 |
| | S186FGT3606HA | ESTATOR (CONSULTAR AVR HÁ) | TD7000CX3ED / TD7000SGE3D | 1 |
| | S186FG1607 | TAMPA BASE (L COXIM) | TD(6000/7000) CX/3 TD7000SGE / SGE3 / SGE3D | 1 |
| 6 | AVR | CONSULTE A PARTIR DA PAGINA 15 | | 1 |
| 7 | S186FG1613 | RETIFICADOR | TD6000CXS/TD7000CXE | 1 |
| | S186FGT1613 | RETIFICADOR | TD7000CX3E/TD7000CX3ED | 1 |
| 8 | S186FG1615 | SUPORTE C/ ESCOVAS | TD(6000/7000) CX/3 | 1 |
| | S186FG1616 | ROTOR | TD6000CXS/TD7000CXE | 1 |
| | S186FGT1616 | ROTOR | TD7000CX3E / TD7000SGE3 | 1 |
| | S186FGT3616 | ROTOR | TD7000CX3ED / TD7000SGE3D | 1 |
| | S186FGT1616HA | ROTOR (AVR HÁ) | TD7000CX3E / TD7000SGE3 | 1 |
| | S186FGT3616HA | ROTOR (AVR HÁ) | TD7000CX3ED / TD7000SGE3D | 1 |
| | S186FG1617 | VENTOINHA | TD6000CXS/TD7000CXE | 1 |
| | S186FGT1617 | VENTOINHA | TD7000CX3E/TD7000CX3ED TD7000SGE3 / SGE3D | 1 |
| 11 | S186FG1619 | PARAFUSO M6x120 | TD(6000/7000) CX/3 | 4 |
| | S186FG1620 | PARAFUSO M10x214 | TD(6000/7000) CX/3 | 1 |
| | S186FG1623 | TAMPA TRASEIRA | TD(6000/7000) CX/3 | 1 |
| 14 | S186FG1968 | COXIM | TD(6000/7000) CX/3 | 2 |

* CONFIRA DESCRIÇÃO DETALHADA DO AVR A PARTIR DA PAGINA 15

(8) ALTERNADOR DIESEL TD7000CXEW**(8) ALTERNADOR SÉRIE "CX" DIESEL**

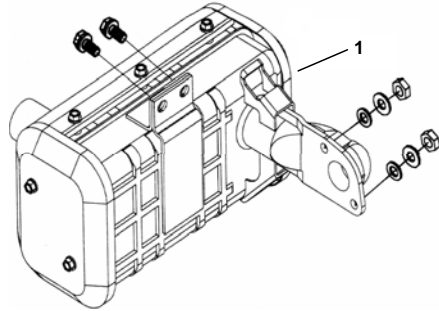
| Pos | Código | Descrição | Aplicação | Qty |
|-----|-------------|----------------------|------------|-----|
| 57 | S186FG1604 | ALTERNADOR COMPLETO | TD7000CXEW | 1 |
| 58 | S186FG1605W | TAMPA FRONTAL | TD7000CXEW | 1 |
| 60 | S186FG1606W | VENTOINHA | TD7000CXEW | 1 |
| 61 | S186FG1607W | ROTOR | TD7000CXEW | 1 |
| 64 | S186FG1610W | ESTATOR | TD7000CXEW | 1 |
| 65 | S186FG1611W | CHAPA DE PROTEÇÃO | TD7000CXEW | 1 |
| 66 | S186FG1612W | TAMPA BASE | TD7000CXEW | 1 |
| 68 | S186FG1614W | DIODO DE RETIFICAÇÃO | TD7000CXEW | 1 |
| 69 | S186FG1615W | INDUTOR | TD7000CXEW | 2 |
| 81 | S186FG1624W | ESCOVA | TD7000CXEW | 2 |

| | | | | |
|----|--------------|--------------------------------|------------|---|
| 57 | S186FG1604HA | ALTERNADOR COMPLETO TD7000SXEW | TD7000SXEW | 1 |
|----|--------------|--------------------------------|------------|---|

(9) TANQUE DE COMBUSTÍVEL "CX" DIESEL**(9) TANQUE DE COMBUSTÍVEL "CX" DIESEL**

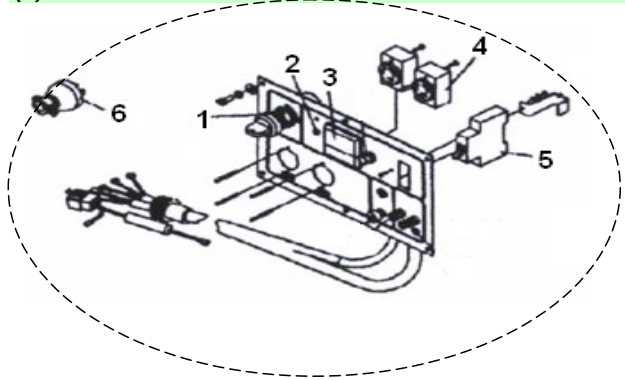
| Pos | Código | Descrição | Aplicação | Qtd |
|-----|-------------|--------------------------|---|-----|
| 1 | K170FG1103 | TAMPA DO TANQUE | TK(2500 / 4000 / 6000)CX TD(4000/6000/7000) CX/3 | 1 |
| 2 | K170F1122 | PENEIRA DO TANQUE | TK(2500 / 4000 / 6000)CX TD(4000/6000/7000) CX/3 | 1 |
| 3 | K170FG1112 | MEDIDOR DE COMBUSTÍVEL | TK(2500 / 4000 / 6000)CX TD(4000/6000/7000) CX/3 | 1 |
| 4 | K170F1119G | FILTRO DE COMBUSTÍVEL | TK(2500 / 4000 / 6000)CX TD(4000/6000/7000) CX/3 | 1 |
| 5 | K170F1118 | JUNTA DO FILTRO DE COMB. | TK(2500 / 4000 / 6000)CX TD(4000/6000/7000) CX/3 | 1 |
| 6 | K170FG1125 | JUNTA | TK(2500 / 4000 / 6000)CX TD(4000/6000/7000) CX/3 | 1 |
| 7 | K170FG1119 | PRATO DE FIXAÇÃO | TK(2500 / 4000 / 6000)CX TD(4000/6000/7000) CX/3 | 1 |
| 8 | K170FG1136 | TORNEIRA DE COMBUSTÍVEL | TK(2500 / 4000 / 6000)CX TD(4000/6000/7000) CX/3 | 1 |
| 9 | K170FG1101B | TANQUE (SOMENTE A LATA) | TK(2500 / 4000 / 6000)CX TD(4000/6000/7000) CX/3 | 1 |

(10) ESCAPAMENTO SÉRIE "CX" DIESEL



(10) ESCAPAMENTO SÉRIE "CX" DIESEL

| Pos | Código | Descrição | Aplicação | Qty |
|-----|------------|------------|----------------------------------|-----|
| 1 | K170FG0901 | SILENCIOSO | TK2500CX | 1 |
| 1 | K178FG0901 | SILENCIOSO | TK4000CX TD4000CX | 1 |
| 1 | K186FG0901 | SILENCIOSO | TK6000CX TD6000XS/TD7000CXE/3 | 1 |

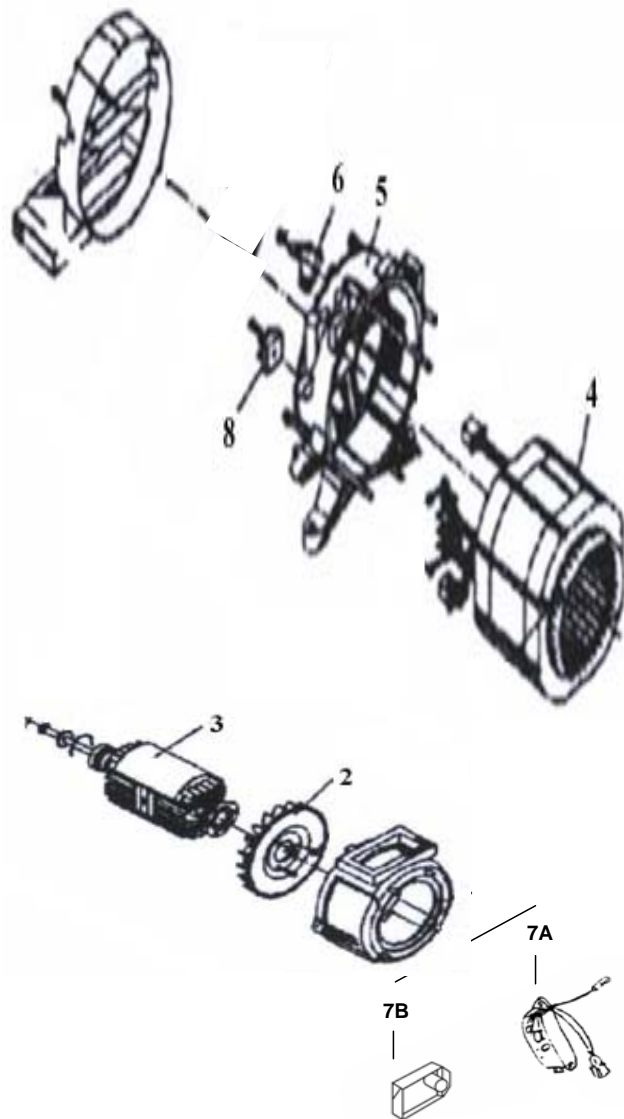
(1) PAINEL SGE

7

(1) PAINEL SGE

| Pos | Código | Descrição | Aplicação | Qty |
|-----|--------------|---------------------------------|--------------------------------------|-----|
| 1 | K186FGS0902 | CHAVE IGNIÇÃO | TK5500SGE/TD7000SGE | 1 |
| 2 | K186FGS0904 | LED PRESSÃO DO OLEO | TK5500SGE/TD7000SGE | 1 |
| 3 | K186FGS0905 | VOLTÍMETRO | TK5500SGE | 1 |
| | S186FGS0905 | VOLTÍMETRO | TD7000SGE | 1 |
| 4 | K186FGS0907 | TOMADA 3 P | TK5500SGE / TD7000SGE / SGE3 / SGE3D | 2 |
| 5 | K186FGS0909 | DISJUNTOR | TK5500SGE/TD7000SGE | 1 |
| | K186FGT1921 | DISJUNTOR | TD7000SGE3 / SGE3D | 1 |
| 6 | K170FG1960 | ADAPTADOR 3P | TK5500SGE / TD7000SGE / SGE3 / SGE3D | 1 |
| 7 | S186FGTS1905 | PAINEL COMPLETO TD7000SGE3D | TD7000SGE3D | 1 |
| | S186FGMSATS | PAINEL COMPLETO TD7000SGE-ATS | TD7000SGE-ATS | 1 |
| | S186FGTSATS | PAINEL COMPLETO TD7000SGE3D-ATS | TD7000SGE3D-ATS | 1 |

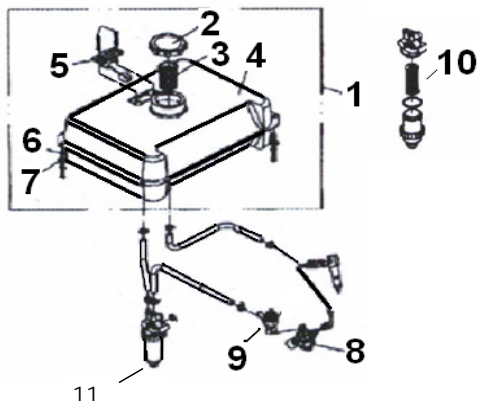
(2) ALTERNADOR SGE



(2) ALTERNADOR SGE

| Pos | Código | Descrição | Aplicação | Qty |
|-----|--------------|---------------------------------------|-------------------------------------|----------|
| 1 | K186FGS0201 | ALTERNADOR COMPLETO | TK5500SGE | 1 |
| | S186FGS0201 | ALTERNADOR COMPLETO | TD7000SGE | 1 |
| | S186FGT1603 | ALTERNADOR COMPLETO | TD7000CX3E / TD7000SGE3 | 1 |
| | S186FGT1603D | ALTERNADOR COMPLETO | TD7000CX3ED / TD7000SGE3D | 1 |
| 2 | K186FGS0205 | VENTOINHA | TK5500SGE | 1 |
| | S186FGS0205 | VENTOINHA | TD7000SGE | 1 |
| 3 | K186FGSO0206 | ROTOR x 190mm | TK5500SGE | 1 |
| | K186FGS0206 | ROTOR x 204mm | TK5500SGE | 1 |
| | S186FGSO0206 | ROTOR | TD7000SGE | 1 |
| | S186FGT1616 | ROTOR | TD7000CX3E / TD7000SGE3 | 1 |
| | S186FGT3616 | ROTOR | TD7000CX3ED / TD7000SGE3D | 1 |
| | K186FGSO0210 | ESTATOR x 190mm | TK5500SGE | 1 |
| 4 | K186FGS0210 | ESTATOR x 204mm | TK5500SGE | 1 |
| | S186FGS0210 | ESTATOR | TD7000SGE | 1 |
| | S186FGT1606 | ESTATOR | TD7000CX3E / TD7000SGE3 | 1 |
| | S186FGT3606 | ESTATOR | TD7000CX3ED / TD7000SGE3D | 1 |
| | K186FGS0214 | TAMPA DA BASE | TK5500SGE | 1 |
| 5 | S186FGS0214 | TAMPA DA BASE | TK5500SGE | 1 |
| | S186FG1607 | TAMPA DA BASE | TD(6000/7000) CX/3 | 1 |
| | S186FG1607 | TAMPA DA BASE | TD7000SGE / SGE3 / SGE3D | 1 |
| 6 | K186FGS0215 | CONJUNTO ESCOVAS | TK5500SGE/TD7000SGE | 1 |
| | S186FG1615 | CONJUNTO ESCOVAS | TD(6000/7000) CX/3 | 1 |
| | | TD7000SGE / SGE3 / SGE3D | 1 | 1 |
| 7 | AVR | CONSULTE A PARTIR DA PAGINA 15 | | 1 |
| 7A | K178FG1611 | AVR MODELO MEIA LUA | TK5500SGE | 1 |
| 7B | K178FG1611P | AVR MODELO QUADRADO | TK5500SGE | 1 |
| 8 | K170FG1613 | DIODO RETIFICADOR | TK5500SGE | 1 |
| | K170FG1613 | DIODO RETIFICADOR | TD7000SGE | 1 |
| | K170FG1613 | DIODO RETIFICADOR | TD7000CX3E / CX3ED / TD7000SGE3 / S | 1 |

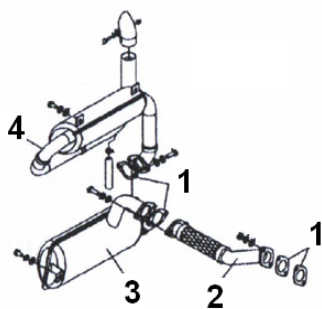
(3) TANQUE DE COMBUSTÍVEL SGE



(3) TANQUE DE COMBUSTÍVEL SGE

| Pos | Código | Descrição | Aplicação | Qty |
|-----|-------------|------------------------|--------------------------------------|-----|
| 1 | K186FGS0701 | TANQUE COMB. COMPLETO | TK5500SGE | 1 |
| | S186FGS0701 | TANQUE COMB. COMPLETO | TD7000SGE / SGE3 / SGE3D | 1 |
| 2 | K186FGS0702 | TAMPA DO TANQUE | TK5500SGE / TD7000SGE / SGE3 / SGE3D | 1 |
| 3 | K186FGS0703 | PENEIRA DE COMBUSTÍVEL | TK5500SGE / TD7000SGE / SGE3 / SGE3D | 1 |
| 4 | K186FGS0704 | TANQUE DE COMBUSTÍVEL | TK5500SGE / TD7000SGE / SGE3 / SGE3D | 1 |
| | S186FGS0704 | TANQUE DE COMBUSTÍVEL | TD7000SGE / SGE3 / SGE3D | 1 |
| 5 | K186FGS0705 | MEDIDOR DE COMBUSTÍVEL | TK5500SGE / TD7000SGE / SGE3 / SGE3D | 1 |
| 6 | K186FGS0709 | COXIM | TK5500SGE / TD7000SGE / SGE3 / SGE3D | 4 |
| 7 | K186FGS0710 | COXIM TANQUE | TK5500SGE / TD7000SGE / SGE3 / SGE3D | 4 |
| 8 | K186FGS0719 | BOMBA INJETORA SGE | TK5500SGE | 1 |
| | S186FGS0719 | BOMBA INJETORA SGE | TD7000SGE / SGE3 / SGE3D | 1 |
| 9 | K186FGS0720 | VÁLVULA SOLENÓIDE | TK5500SGE | 1 |
| | S186FGS0720 | VÁLVULA SOLENÓIDE | TD7000SGE / SGE3 / SGE3D | 1 |
| 10 | K186FGS0725 | ELEMENTO FILTRO COMB | TK5500SGE / TD7000SGE / SGE3 / SGE3D | 1 |
| 11 | K186FGS0723 | FILTRO COMB COMPLETO | TK5500SGE / TD7000SGE / SGE3 / SGE3D | 1 |

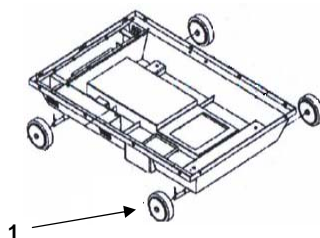
(4) ESCAPAMENTO SGE



(4) ESCAPAMENTO SGE

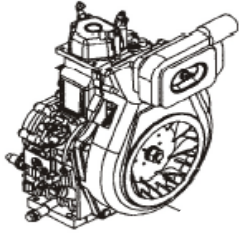
| Pos | Código | Descrição | Aplicação | Qty |
|-----|-------------|-----------------------|--------------------------------------|-----|
| 1 | K186FGS0801 | JUNTA ESCAPAMENTO | TK5500SGE / TD7000SGE / SGE3 / SGE3D | 4 |
| 2 | K186FGS0805 | DUTO DE ESCAPE | TK5500SGE / TD7000SGE / SGE3 / SGE3D | 1 |
| 3 | K186FGS0806 | SILENCIOSO PRIMÁRIO | TK5500SGE / TD7000SGE / SGE3 / SGE3D | 1 |
| 4 | K186FGS0811 | SILENCIOSO SECUNDÁRIO | TK5500SGE / TD7000SGE / SGE3 / SGE3D | 1 |

(5) QUADRO / COXIM / RODAS SGE



(5) QUADRO / COXIM / RODAS SGE

| Pos | Código | Descrição | Aplicação | Qty |
|-----|-------------|-------------------------|--------------------------------------|-----|
| 1 | K186FGS0312 | RODA | TK5500SGE / TD7000SGE / SGE3 / SGE3D | 4 |
| | S186FGS0312 | RODA | TK5500SGE / TD7000SGE / SGE3 / SGE3D | 4 |
| | K186FGS0500 | BOTAO DA PORTA COMPLETO | | |

(6) FILTRO DE AR**(6) FILTRO DE AR SGE**

| Pos | Código | Descrição | Aplicação | Qty |
|-----|-------------|-----------------------|-------------------------------------|-----|
| 1 | K186FGS0700 | FILTRO DE AR COMPLETO | TK5500SGE / TD7000SGE / SGE3 / SGE4 | 1 |

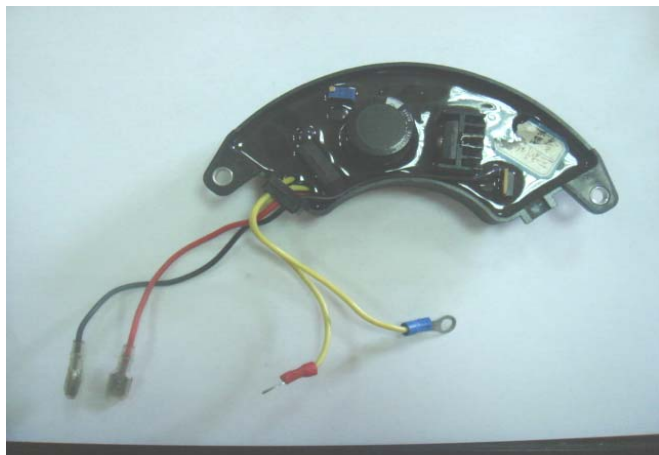
(7) AVR TRIFÁSICO OPEN FRAME



(7) AVR TRIFÁSICO OPEN FRAME SÉRIE TD

| | | | | |
|---|-------------|------------------------------------|-------------|---|
| 1 | S186FGT1612 | AVR MEIA-LUA TRI 380V OPEN 6 CABOS | TD7000CX3E | 1 |
| 1 | S186FGT3612 | AVR MEIA-LUA TRI 220V OPEN 6 CABOS | TD7000CX3ED | 1 |

| | | | | |
|---|---------------|--------------------------------------|--------------------------|---|
| 1 | S186FGT1612BV | AVR MEIA-LUA TRI BIVOLT OPEN 6 CABOS | TD7000CX3E / TD7000CX3ED | 1 |
|---|---------------|--------------------------------------|--------------------------|---|



| | | | | |
|---|---------------|------------------------------------|-------------|---|
| 1 | S186FGT3612DI | AVR MEIA-LUA TRI 240V OPEN 4 CABOS | TD7000CX3ED | 1 |
|---|---------------|------------------------------------|-------------|---|



| | | | | |
|---|---------------|------------------------------------|-------------|---|
| 1 | S186FGT1612HA | AVR MEIA-LUA TRI 380V OPEN 8 CABOS | TD7000CX3E | 1 |
| 1 | S186FGT3612HA | AVR MEIA-LUA TRI 240V OPEN 8 CABOS | TD7000CX3ED | 1 |

(8) AVR TRIFÁSICO CABINADO



(8) AVR TRIFÁSICO PARA GERADORES CABINADOS SÉRIE TD

| | | | | |
|---|--------------|--------------------------------------|-------------|---|
| 1 | S186FGTS1612 | AVR MEIA LUA 380V TRI SILENT 6 CABOS | TD7000SGE3 | 1 |
| 1 | S186FGTS3612 | AVR MEIA LUA 220V TRI SILENT 6 CABOS | TD7000SGE3D | 1 |

| | | | | |
|---|----------------|--------------------------------------|-------------|---|
| 1 | S186FGTS3612DI | AVR MEIA LUA 220V TRI SILENT 4 CABOS | TD7000SGE3D | 1 |
|---|----------------|--------------------------------------|-------------|---|



| | | | | |
|---|----------------|--------------------------------------|-------------|---|
| 1 | S186FGTS1612HA | AVR MEIA LUA 380V TRI SILENT 8 CABOS | TD7000SGE3 | 1 |
| 1 | S186FGTS3612HA | AVR MEIA LUA 220V TRI SILENT 8 CABOS | TD7000SGE3D | 1 |

(9) AVR MONOFÁSICO OPEN FRAME



(9) AVR MONOFÁSICO OPEN FRAME (QUADRO ABERTO) SÉRIE TD

| | | | | |
|---|------------|------------------------------|-----------------------------|---|
| 1 | S178FG1611 | AVR MEIA-LUA MONOFASICO OPEN | TD4000CX/TD6000CX/TD7000CXE | 1 |
|---|------------|------------------------------|-----------------------------|---|



| | | | | |
|---|--------------|------------------------------|-----------------------------|---|
| 1 | S178FG1611DI | AVR MEIA-LUA MONOFASICO OPEN | TD4000CX/TD6000CX/TD7000CXE | 1 |
|---|--------------|------------------------------|-----------------------------|---|

(10) AVR MONOFÁSICO CABINADO



(9) AVR MONOFÁSICO PARA GERADORES CABINADOS SÉRIE TD

| | | | | |
|---|-------------|--------------------------|-----------------------|---|
| 1 | S186FGS1611 | AVR MEIA LUA MONO SILENT | TD5500SGE / TD7000SGE | 1 |
|---|-------------|--------------------------|-----------------------|---|



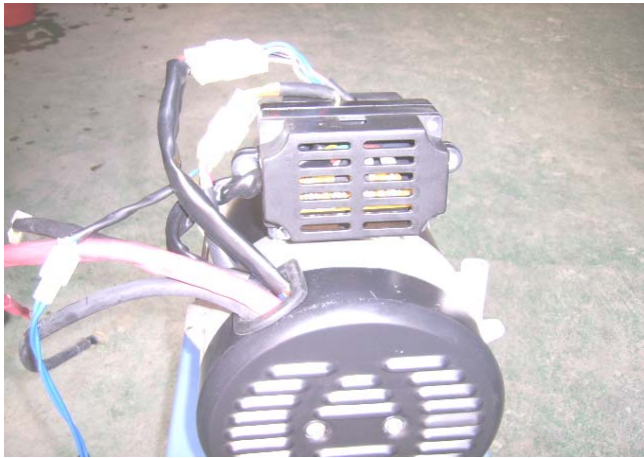
(11) AVR MOTOSOLDADOR

| | | | | |
|---|---------------|--------------------------|-----------------------|---|
| 1 | S186FGS1611DI | AVR MEIA LUA MONO SILENT | TD5500SGE / TD7000SGE | 1 |
|---|---------------|--------------------------|-----------------------|---|



(11) AVR MOTOSOLDADOR TD7000CXEW

| | | | | |
|---|-------------|-----|------------|---|
| 1 | S186FG1639W | AVR | TD7000CXEW | 1 |
|---|-------------|-----|------------|---|



| | | | | |
|---|--------------|-----|------------|---|
| 1 | S186FG1639WS | AVR | TD7000SXEW | 1 |
|---|--------------|-----|------------|---|