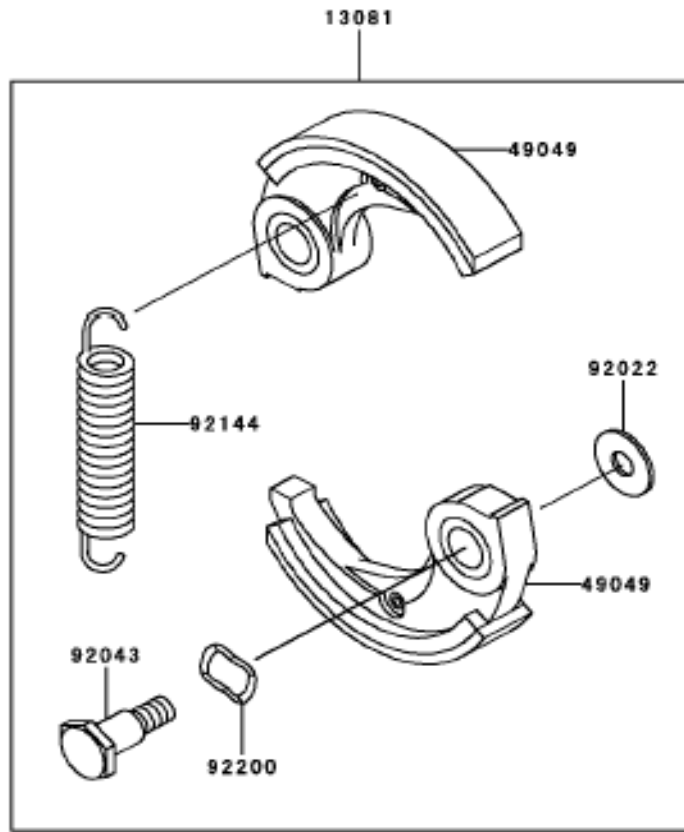


Ref. Quantity	Part No.	Quantidade	
		A	B
1009 1	1009-2366 G	1	
11012	11012-2185	1	
11060	11060-2298	1	
11060A	11060-2299	2	
11060B	11060-2305	1	
11060C	11060-2306	1	
11060D	11060-2307	1	
13183	13183-2506	1	
13270	13270-2014	1	
13270A	13270-2015	1	
13270B	13270-2016	1	
14020	14020-2009	1	
14025	14025-2027	1	
14090	14090-2060	1	
15003	15003-2675	1	
16009	16009-2127	1	
16014	16014-2069	1	
16021	16021-2008	1	
16025	16025-2173	1	
16030	16030-2087	1	
16055	13168-2118	1	
16073	16073-2176	1	
16087	16087-2059	1	
16087A	16087-2060	1	
43028	43028-2065	1	
43028A	43028-2082	1	
49043	49043-2071	2	
92009	92009-2053	2	
92009A	92009-2061	4	
92009B	92009-2249	2	
92009C	92009-2342	1	
92009D	92009-2361	4	
92015	92015-2097	2	
92033	92033-2070	1	
92043	92043-2099	1	
92055	92055-2067	1	
92081	92081-2245	1	
92081A	92081-2249	1	
92081B	92081-2272	1	
92081C	92081-2339	1	
92081D	92081-2340	1	



Ref. Quantity	Part No.		A	B
13081	13081-2220	Embreagem completa	1	1
49049	49049-2075	Use 13081	2	2
92022	92026-2125	Arruela	2	2
92043	92043-2210	Parfuso da Embreagem	2	2
92144	92144-2390	Mola da Embreagem	1	1
92200	92200-2064	Arruela	2	2

