

DESENHO EXPLODIDO

• EMPRESA: TOYAMA DO BRASIL LTDA. TY-20PL71M0003
 • MARCA: TOYAMA COMPACTADOR DE PERCUSSÃO
 • DATA: 31/01/2012 TTR80X - TTR80XP
 • REVISÃO: 6
 • ELABORAÇÃO: LUIS GUILHERME TATIANA

Toyama

POSITION

TOYAMA PART NUMBER

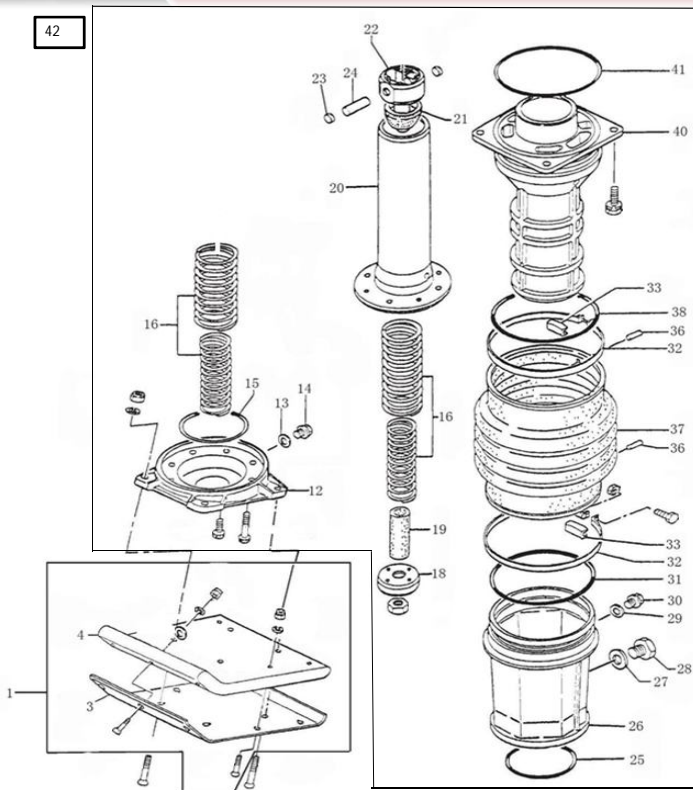
PORTUGUESE DESCRIPTION

ENGLISH DESCRIPTION

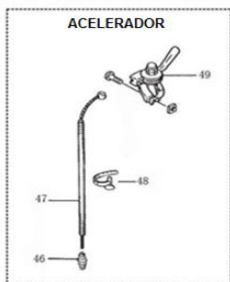
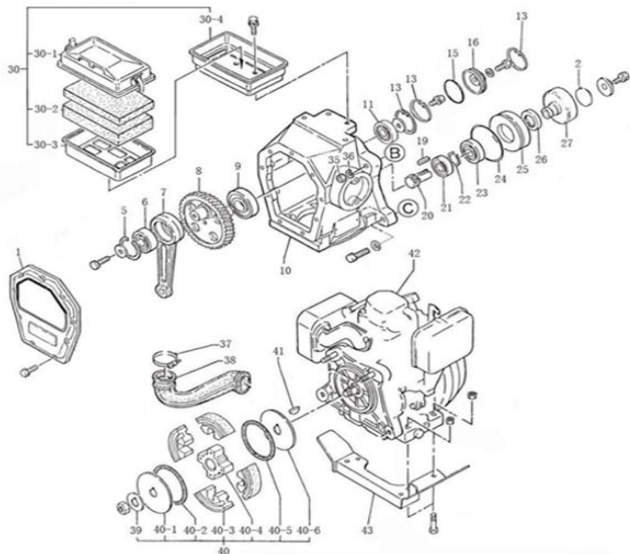
QUANTITY

APPLICATION

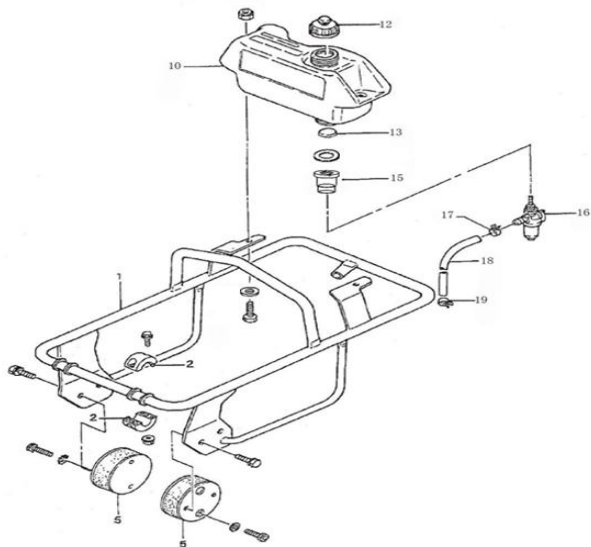
42



1	71-00062	CONJUNTO SAPATA	FOOT ASSY	1	TTR80X - TTR80XP
3	71-00063	PLACA DE METAL	METAL SHEET	1	TTR80X - TTR80XP
4	71-00064	SAPATA DE PLÁSTICO	PLASTIC FOOT	1	TTR80X - TTR80XP
12	71-00065	SUPORE DA SAPATA	FOOT PLATE	1	TTR80X - TTR80XP
13	71-00066	ANEL DE VEDAÇÃO 12	PACKING 12	1	TTR80X - TTR80XP
14	71-00067	TAMPA DO ÓLEO M12x1.25	OIL PLUG M12x1.25	2	TTR80X - TTR80XP
15	71-00068	O-RING G-90	O-RING G-90	1	TTR80X - TTR80XP
16	71-00069	MOLA	MAIN SPRING	1	TTR80X - TTR80XP
-	71-00069	MOLA	INNER SPRING	2	TTR80X - TTR80XP
-	71-00069	MOLA	OUT SPRING	2	TTR80X - TTR80XP
18	71-00070	ANEL GUIA DE MOLAS	PISTON END	1	TTR80X - TTR80XP
19	71-00071	EMBOLO	STOPPER LOWER	1	TTR80X - TTR80XP
20	71-00072	CILINDRO DA MOLA	SPRING CYLINDER	1	TTR80X - TTR80XP
21	71-00073	TAMPÃO DE PARADA	STOPPER UPPER	1	TTR80X - TTR80XP
22	71-00074	CABEÇA DO PISTÃO GUIA	PISTON ROD KIT	1	TTR80X - TTR80XP
23	71-00075	BUCHA DO PINO DO PISTÃO	NYLON PLUG	2	TTR80X - TTR80XP
24	71-00076	PINO DO PISTÃO	PISTON PIN	1	TTR80X - TTR80XP
25	71-00077	O-RING 100x3.1	O-RING 100x3.1	2	TTR80X - TTR80XP
26	71-00078	PROTETOR COLLUNA	PROTECTION SLEEVE	1	TTR80X - TTR80XP
27	71-00079	ANEL DE VEDAÇÃO 16	COPPER PACKING 16	1	TTR80X - TTR80XP
28	71-00080	BUJÃO DO ÓLEO	LEVEL GAUGE, PLUG TYPE	1	TTR80X - TTR80XP
29	71-00081	ANEL DE VEDAÇÃO 12	PACKING 12	2	TTR80X - TTR80XP
30	71-00082	PLUG 1/4x14	PLUG 1/4x14	2	TTR80X - TTR80XP
31	71-00083	O-RING 160x4	O-RING 160x4	1	TTR80X - TTR80XP
32	71-00084	ABRAÇADEIRA	BELLOWS CLAMP	2	TTR80X - TTR80XP
33	71-00085	ESPAÇADOR ABRAÇADEIRA	BAND GUIDE, BELLOWS	2	TTR80X - TTR80XP
36	71-00086	PINO 6D-8.5L	PIN 6D-8.5L	1	TTR80X - TTR80XP
37	71-00087	CAPA PROTETORA DO CILINDRO (ALEMÁ)	GERMAN MADE BELLOW	1	TTR80X - TTR80XP
-	71-00088	CAPA PROTETORA DO CILINDRO (CHINESA)	CHINESE MADE BELLOW	1	TTR80X - TTR80XP
38	71-00089	O-RING 160x4	O-RING 160x4	1	TTR80X - TTR80XP
40	71-00090	GUIA DO CILINDRO	GUIDE CYLINDER	1	TTR80X - TTR80XP
41	71-00091	O-RING 160x5.3	O-RING 160x5.3	1	TTR80X - TTR80XP
42	71-01000	CONJUNTO PERCURSÃO	RAMMER SET	1	TTR80X - TTR80XP



POSITION	TOYAMA PART NUMBER	PORTUGUESE DESCRIPTION	ENGLISH DESCRIPTION	QUANTITY	APPLICATION
1	71-00092	TAMPA DA CARÇAÇA	BACK OF CRANKCASE	1	TTR80X - TTR80XP
2	71-00093	O-RING 22.4x2.65	O-RING 22.4x2.65	1	TTR80X - TTR80XP
5	71-00094	ANEL TRAVA R-52	STOP RING R-52	1	TTR80X - TTR80XP
6	71-00095	ROLAMENTO 6304	BEARING 6304	1	TTR80X - TTR80XP
7	71-00096	BIELA	CONNECTING ROD	1	TTR80X - TTR80XP
8	71-00097	ENGRENAGEM	GEAR WHEEL	1	TTR80X - TTR80XP
9	71-00098	ROLAMENTO 6207	BEARING 6207	1	TTR80X - TTR80XP
10	71-00099	CARÇAÇA	CRANKCASE	1	TTR80X - TTR80XP
11	71-00100	ROLAMENTO 6204	BEARING 6204	2	TTR80X - TTR80XP
13	71-00101	ANEL TRAVA 47	STOP RING 47	3	TTR80X - TTR80XP
15	71-00102	O-RING 43.7x1.8	O-RING 43.7x1.8	1	TTR80X - TTR80XP
16	71-00103	TAMPA DO ROLAMENTO	BEARING COVER	1	TTR80X - TTR80XP
19	71-00104	CHAVETA 5x20	FLAT KEY 5x20	1	TTR80X - TTR80XP
20	71-00105	PINHÃO	PINION	1	TTR80X - TTR80XP
21	71-00106	ROLAMENTO 6204	BEARING 6204	2	TTR80X - TTR80XP
22	71-00107	ANEL TRAVA S-35	STOP RING S-35	1	TTR80X - TTR80XP
23	71-00108	ROLAMENTO 6007Z	BEARING 6007Z	1	TTR80X - TTR80XP
24	71-00109	O-RING G-100	O-RING G-100	1	TTR80X - TTR80XP
25	71-00110	ESPAÇADOR	SPACER	1	TTR80X - TTR80XP
26	71-00111	RETENOR DE ÓLEO TC-40528	OIL SEAL TC-40528	1	TTR80X - TTR80XP
27	71-00112	TAMBOR DA EMBREAGEM	CLUTCH DRUM	1	TTR80X - TTR80XP
-	71-00113	CHAVETA 5x5x19	KEY 5x5x19	1	TTR80X - TTR80XP
30	71-00114	CONJUNTO FILTRO DE AR	AIR CLEANER ASSY	1	TTR80X - TTR80XP
36	71-00115	-	FLATGASKET 10	2	TTR80X - TTR80XP
37	71-00116	ABRAÇADEIRA 40	HOOP 40	1	TTR80X - TTR80XP
38	71-00117	SIFÃO FILTRO DE AR	SYPHON, AIR FILTER	1	TTR80X - TTR80XP
39	71-00118	ARRUELA DE TRAVA EMBREAGEM	LOCK WASHER, CLUTCH	1	TTR80X - TTR80XP
40	71-00119	CONJUNTO EMBREAGEM C812E	CLUTCH ASSY C812E	1	TTR80X - TTR80XP
41	71-00120	CHAVETA	WOODRUFF KEY	1	TTR80X - TTR80XP
42	TE40Z	MOTOR	ENGINE	1	TTR80X
42-1	-	MOTOR	ENGINE	1	TTR80XP
43	71-00123	SUPORTE DO MOTOR	ENGINE PLATE	1	TTR80X - TTR80XP
47	71-00124	CABO DO ACELERADOR	THROTTLE WIRE	1	TTR80X - TTR80XP
48	71-00125	CINTA	RIBBON	1	TTR80X - TTR80XP
49	71-00126	ACELERADOR	THROTTLE LEVER	1	TTR80X - TTR80XP
-	71-00127	ACELERADOR	THROTTLE LEVER	1	TTR80X - TTR80XP



POSITION	TOYAMA PART NUMBER	PORTUGUESE DESCRIPTION	ENGLISH DESCRIPTION	QUANTITY	APPLICATION
1	71-00128	QUADRO OPERACIONAL	HANDLE	1	TTR80X - TTR80XP
2	71-00129	ROLETE DO QUADRO OPERACIONAL	ROLLER HANDLE	1	TTR80X - TTR80XP
5	71-00130	AMORTECEDOR	SHOCK ABSORBER	2	TTR80X - TTR80XP
10	71-00131	TANQUE DE COMBUSTÍVEL	FUEL TANK	1	TTR80X - TTR80XP
12	71-00132	TAMPA DO TANQUE DE COMBUSTÍVEL	CAP ASSY TANK	1	TTR80X - TTR80XP
13	71-00133	O-RING 22x2.4	O-RING 22x2.4	1	TTR80X - TTR80XP
15	71-00134	FILTRO INTERNO DO TANQUE	COPPER CONNECTION	1	TTR80X - TTR80XP
16	71-00135	TORNEIRA DE COMBUSTÍVEL	FUEL COCK ASSY	1	TTR80X - TTR80XP
17	71-00136	ABRAÇADEIRA DA MANGUEIRA 9.5	HOSE BAND 9.5	1	TTR80X - TTR80XP
18	71-00137	MANGUEIRA DE COMBUSTÍVEL	FUEL HOSE	1	TTR80X - TTR80XP
19	71-00138	ABRAÇADEIRA DA MANGUEIRA 9.5	HOSE BAND 9.5	1	TTR80X - TTR80XP