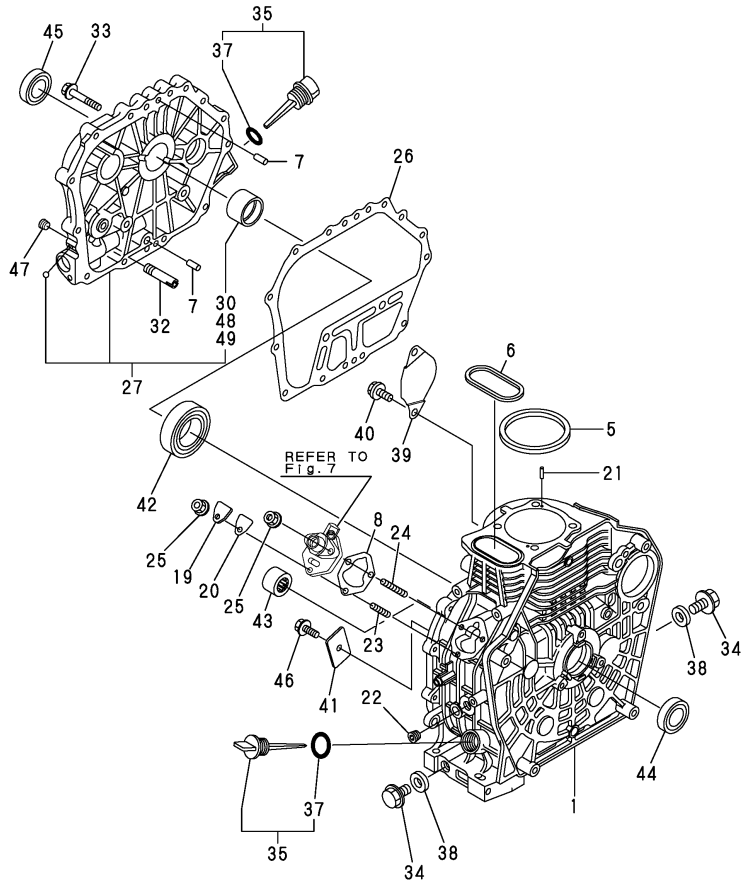


Fig.1. BLOCO CILINDRO/CYLINDER BLOCK



OCR10-G70100 1. BLOCO DO CILINDRO/CYLINDER BLOCK

(A)=L100N6-M
(B)=L100N6-ME
(C)=

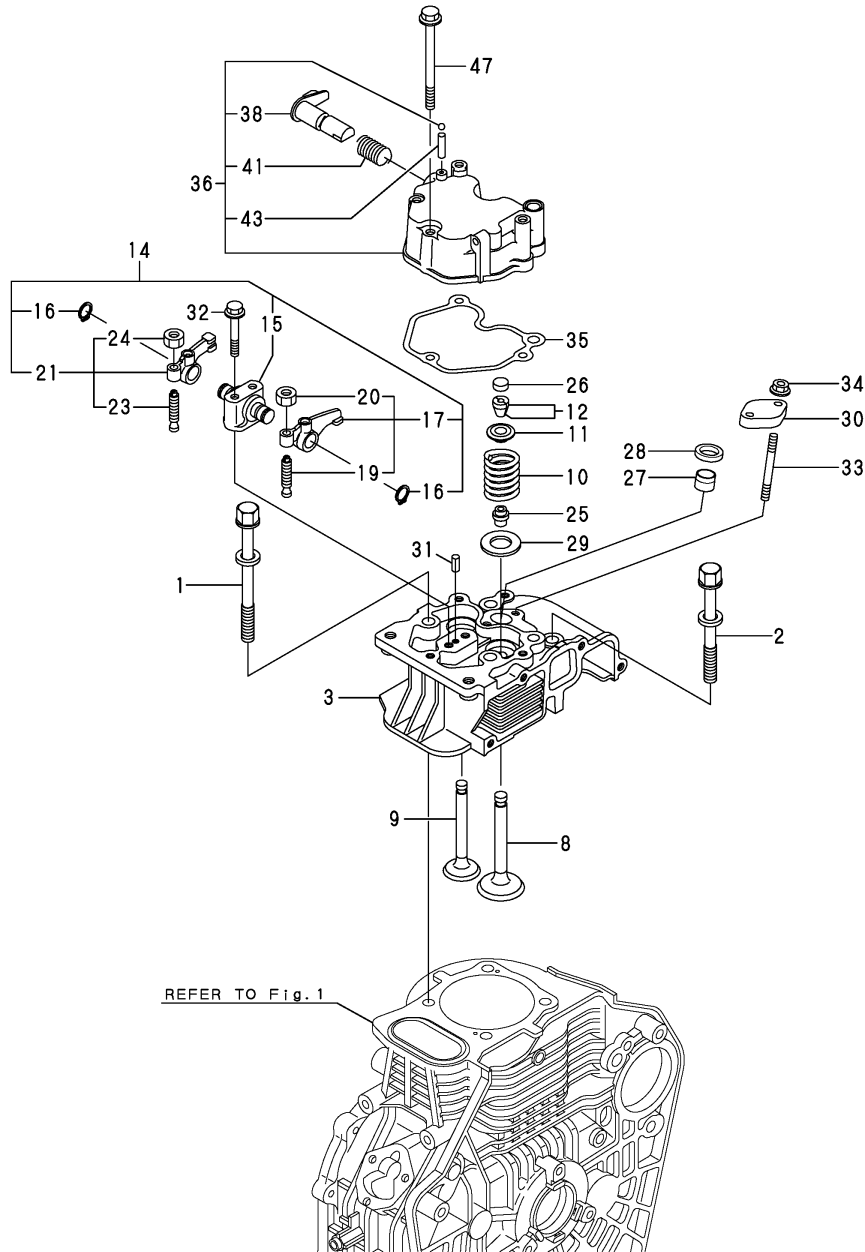
(D)=
(E)=
(F)=

REF.	LEV.	PARTS NO.	DESCRIÇÃO/DESCRIPTION	Q'TY						I	R
				(A)	(B)	(C)	(D)	(E)	(F)		
1	1	114310-01020	BLOCO CONJ./BLOCK ASSY, CYLINDER	1	1						
5	1	114651-01340	JUNTA DO CABEÇOTE/GASKET CYL. HEAD	1	1						
6	1	114650-01380	O-RING	1	1						
7	1	114270-01600	PINO, 8X12/ PIN 8X12	2	2						
8	1	114250-01800	CALÇO BOMBA INJ./SHIM SET	1	1						
19	1	114250-01830	TAMPA CHECK IN/COVER, CHECK HOLE	1	1						
20	1	114250-01841	JUNTA/GASKET, COVER	1	1						
21	1	22312-040080	PINO/PIN, 4 X 8	2	2						
22	1	23875-020000	PLUG, R02	1	1						
23	1	26226-060182	PRISIONEIRO/STUD,BOLT 6 X 18	1	1						
24	1	26226-060222	PRISIONEIRO/STUD,BOLT 6 X 22	2	2						
25	1	26366-060002	PORCA/NUT, 6	3	3						
26	1	114650-01412	JUNTA/GASKET, CRANK CASE	1	1						
27	1	114310-01450	TAMPA CONJ./COVER(D, CRANK CASE	1	1						
30	2	114650-02100	MANCAL PRINCIPAL/BEARING, MAIN	1	1						1
32	1	114250-35150	TUBO/PIPE, INLET	1	1						
33	1	26106-080352	PARAFUSO/BOLT, 8 X 35	16	16						
34	1	105425-01690	PLUG DRENO/PLUG, DRAIN 16	2	2						
35	1	114699-01760	MEDIDOR ÓLEO CONJ./CAP ASSY, L/O.SUP	2	2						
37	2	114299-01950	O-RING	2	2						
38	1	22190-160002	ARRUELA/WASHER, SEAL 16	2	2						
39	1	114350-01700	TAMPA MOTOR PART./COVER, STARTER	1							
40	1	26106-100122	PARAFUSO/BOLT, 10 X 12	2							
41	1	114299-02030	RETENTOR MANCAL/RETAINER, BEAR.	1	1						
42	1	114650-02150	ROLAMENTO/BEARING, HR6308G,3	1	1						
43	1	24162-152220	ROLAMENTO DE AGULHA/NEEDLE,	1	1						
44	1	24423-355008	RETENTOR/SEAL, TC355008	1	1						
45	1	24423-355008	RETENTOR/SEAL, TC355008	1	1						
46	1	26106-080122	PARAFUSO/BOLT, 8 X 12	1	1						
47	1	23876-010000	PLUG, R01	1	1						
48	1	114650-02200	MANCAL PRINC.=0,25/MAIN BEARING=0.25	1	1						2
49	1	114650-02210	MANCAL PRINC.=0,25/MAIN BEARING=0.50	1	1						3

Remarks

- (1)REPAIR PART.
- (2)UNDER SIZED(U.S.=0.25)PART.
- (3)UNDER SIZED(U.S.=0.50)PART.

Fig.2. CABEÇOTE E TAMPA/CYLINDER HEAD & BONNET

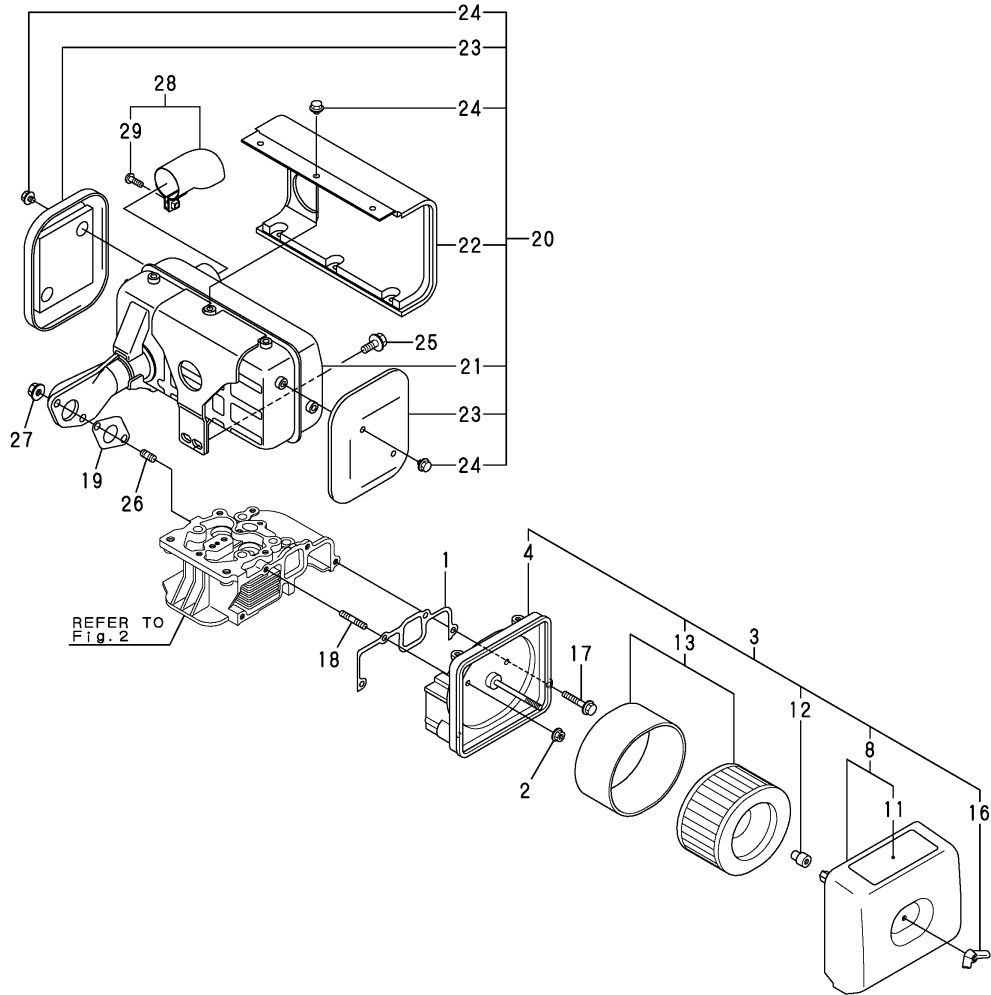


OCR10-G70100 2. CABEÇOTE E TAMPA/CYLINDER HEAD & BONNET

(A)=L100N6-M (D)=
 (B)=L100N6-ME (E)=
 (C)= (F)=

REF.	LEV.	PARTS NO.	DESCRIÇÃO/DESCRIPTION	Q'TY						I	R
				(A)	(B)	(C)	(D)	(E)	(F)		
1	1	114310-01200	PARAFUSO CABEÇOTE/BOLT, CYL.HEAD	2	2						
2	1	114310-01210	PARAFUSO CABEÇOTE /BOLT, CYL.HEAD	2	2						
3	1	114320-11020	CABEÇOTE/HEAD ASSY, CYLINDER	1	1						
8	1	114310-11100	VALVULA ADMISSÃO/VALVE, INTAKE	1	1						
9	1	114310-11110	VALVULA ESCAPE/VALVE, EXHAUST	1	1						
10	1	114310-11120	MOLA DA VALVULA/SPRING, VALVE	2	2						
11	1	114310-11180	PRATO DA MOLA/RETAINER, SPRING	2	2						
12	1	114310-11930	COLAR DA VALVULA/COTTER ASSY	2	2						
14	1	114310-11250	SUPORTE BALANCIM CONJ.SUPPORT ASS.	1	1						
15	2	114310-11260	SUPORTE BALANCIM/SUPPORT, ROCKER	1	1						
16	2	114310-11280	TRAVA /C TYPE RETAINING RIN	2	2						
17	2	114310-11650	BALANCIM ADMISSÃO/ARM ASSY INTAKE	1	1						
19	3	114299-11240	PARAFUSO DE AJUSTE/SCREW, ADJUST.	1	1						
20	3	26856-060002	PORCA/NUT, 6	1	1						
21	2	114310-11660	BALANCIM ESCAPE/ARM ASSY EXHAUST	1	1						
23	3	114299-11240	PARAFUSO DE AJUSTE/SCREW, ADJUST.	1	1						
24	3	26856-060002	PORCA/NUT, 6	1	1						
25	1	114650-11340	RETENTOR VALVULA/SEAL, VALVE STEM	2	2						
26	1	104211-11370	CAPA VALVULA/CAP, VALVE	2	2						
27	1	114339-11451	PROTETOR BICO INJ./PROTECTOR, NOZ.	1	1						
28	1	114339-11551	ASSENTO BICO INJ./SEAT, NOZZLE	1	1						
29	1	114650-11600	ARRUELA ENCOSTO/WASHER, VALVE SPR.	2	2						
30	1	114210-11901	PRENDEDOR BICO INJ./RETAINER, NOZ.	1	1						
31	1	22351-040008	PINO/PIN, 4.0A X 8	1	1						
32	1	26106-080502	PARAFUSO/BOLT, 8 X 50	2	2						
33	1	26226-060552	PRISIONEIRO/STUD,BOLT 6 X 55	2	2						
34	1	26366-060002	PORCA/NUT, 6	2	2						
35	1	114310-11310	JUNTA TAMPA CABEÇOTE/GASKET, BONI	1	1						
36	1	114310-11950	TAMPA CABEÇOTE CONJ./BONNET ASSY,	1	1						
38	2	114210-03590	ALAVANCA DESC./SHAFT ASSY, DECOMP.	1	1						
41	2	114299-03640	MOLA DESCOMP./SPRING, DECOMP.	1	1						
43	2	22312-030160	PINO/PIN, 3 X 16	1	1						
47	1	26106-060652	PARAFUSO/BOLT, 6 X 65	3	3						

Fig.3. FILTRO AR E SILENCIOSO/AIR CLEANER & MUFFLER



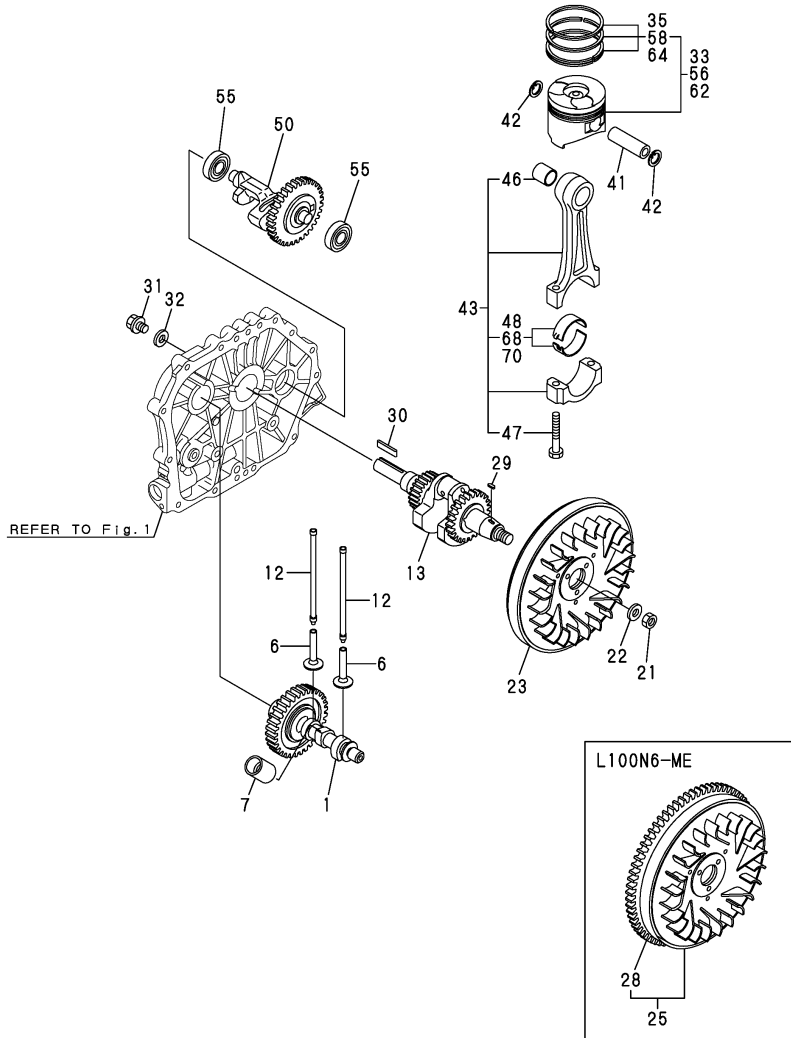
OCR10-G70100 3. FILTRO AR E SILENCIOSO/AIR CLEANER & MUFFLER

(A)=L100N6-M
(B)=L100N6-ME
(C)=

(D)=
(E)=
(F)=

REF.	LEV.	PARTS NO.	DESCRIÇÃO/DESCRIPTION	Q'TY						I	R
				(A)	(B)	(C)	(D)	(E)	(F)		
1	1	114310-12210	JUNTA GOLETOR ADMISSÃO/GASKET, AIR	1	1						
2	1	114250-12300	PORCA/NUT	3	3						
3	1	114310-12511	FILTRO AR CONJ./CLEANER ASSY, AIR	1	1						
4	2	114310-12010	CARCAÇA FILTRO/BODY ASSY, AIR CLNR	1	1						
8	2	114210-12500	TAMPA FILTRO/COVER ASSY, AIR CLNR	1	1						
11	3	114210-12610	ADESIVO/LABEL, AIR CLEANER	1	1						
12	2	114210-12560	PORCA/NUT, WING	1	1						
13	2	114210-12590	ELEMENTO CONJ./ELEMENT ASSY	1	1						
16	2	114210-12600	PORCA BORBOLETA/LOCKING KNOB	1	1						
17	1	26106-060352	PARAFUSO/BOLT, 6 X 35	1	1						
18	1	26226-060352	PRISIONEIRO/STUD,BOLT 6 X 35	3	3						
19	1	114310-13200	JUNTA ESCAPE/GASKET, MUFFLER	1	1						
20	1	11431C-13550	SILENCIOSO CONJ./MUFFLER ASSY	1	1						
21	2	11431C-13560	SILENCIOSO/MUFFLER	1	1						
22	2	11431C-13700	PROTEÇÃO A/COVER, MUFFLER A	1	1						
23	2	11431C-13710	PROTEÇÃO B/COVER, MUFFLER B	2	2						
24	2	11431C-13720	PARAFUSO/BOLT, M6X6 FLANGE	10	10						
25	1	26106-080202	PARAFUSO/BOLT, 8 X 20	2	2						
26	1	26216-080182	PRISIONEIRO/STUD,BOLT 8 X 18	2	2						
27	1	26306-080002	PORCA/NUT, 8	2	2						
28	1	114658-13800	COTOVELO ESCAPE/PIPE ASSY, EXHAUST	1	1						
29	2	26554-060182	PARAFUSO/SCREW M 6X 18	1	1						

Fig.4. CRANKSHAFT,PISTON & CAMSHAFT
Fig.4. VIRABREQUIM, PISTÃO E COMANDO VALVULA



Remarks
 (1)OVER SIZED(O.S.=0.25)PART.
 (2)OVER SIZED(O.S.=0.50)PART.
 (3)UNDER SIZED(U.S.=0.25)PART.
 (4)UNDER SIZED(U.S.=0.50)PART.

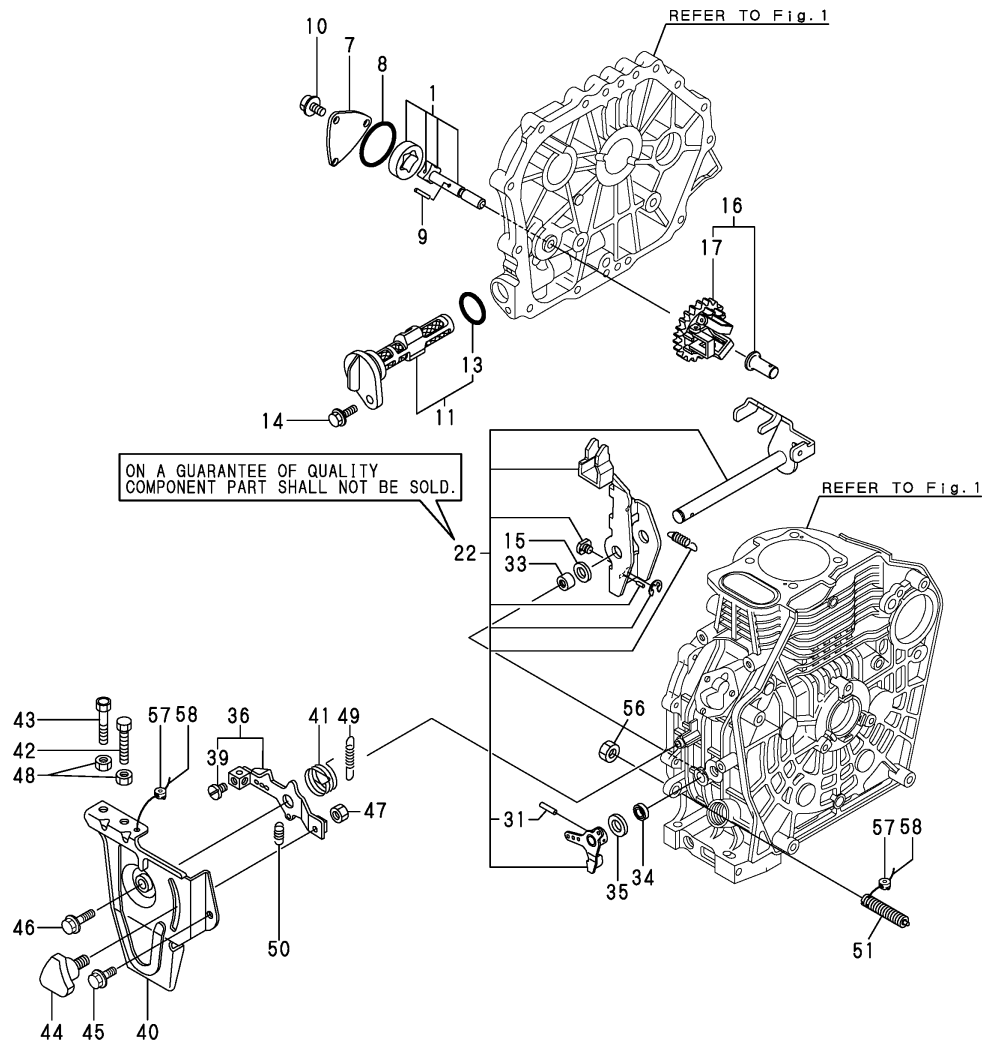
OCR10-G70100 4. CRANKSHAFT,PISTON & CAMSHAFT
4. VIRABREQUIM, PISTÃO E COMANDO VALVULA

(A)=L100N6-M
 (B)=L100N6-ME
 (C)=
 (D)=
 (E)=
 (F)=

REF.	LEV.	PARTS NO.	DESCRIÇÃO/DESCRIPTION	Q'TY						I	R
				(A)	(B)	(C)	(D)	(E)	(F)		
1	1	71432C-14010	COMANDO VALVULA CONJ./CAMSHAFT	1	1						
6	1	114310-14200	TUCHO/TAPPET	2	2						
7	1	114210-14300	BUHCA DO TUCHO/TAPPET ASSY, ROLLER	1	1						
12	1	114310-14400	VARETA VALVULA/ROD ASSY, PUSH	2	2						
13	1	71431C-21030	VIRABREQUIM CONJ./CRANKSHAFT ASSY	1	1						
21	1	122710-01220	PORCA/NUT M18	1	1						
22	1	114650-21551	ARRUELA/WASHER, FLYWHEEL	1	1						
23	1	11431C-21420	VOLANTE/FLYWHEEL, D/DE	1							
25	1	11431C-21590	VOLANTE C/ CREMALHEIRA/FLYWHEEL		1						
28	2	11431C-21600	CREMALHEIRA/GEAR, RING D		1						
29	1	22512-050140	CHAVETA/KEY, 5 X 14	1	1						
30	1	160842-21150	CHAVETA/KEY, 6.3X50	1	1						
31	1	160842-21250	PARAFUSO/BOLT, M7/16-20UNF	1	1						
32	1	160842-21260	ARRUELA/WASHER, PULLEY	1	1						
33	1	714320-22720	PISTÃO C/ ANÉIS/PISTON W/RINGS (D	1	1						
35	2	714310-22500	JOGO ANÉIS/RING SET, PISTON	1	1						
41	1	114699-22300	PINO/PIN, PISTON	1	1						
42	1	129792-22400	TRAVA/CIRCLIP, C23	2	2						
43	1	71431C-23010	BIELA CONJ./ROD ASSY, CONNECTING	1	1						
46	3	124060-23100	BUCHA PINO PISTÃO/BUSH, PISTON PIN	1	1						
47	3	119810-23200	PARAFUSO BIELA/BOLT, CONNECTING	2	2						
48	2	714650-23600	MANCAL BIELA/BEARING, CRANKPIN	1	1						
50	1	714310-28510	EIXO BALANCEADOR/SHAFT ASSY, BALAI	1	1						
55	1	24101-063040	ROLAMENTO/BEARING, 6304 C3	2	2						
56	1	714320-22620	PISTÃO CONJ.=0.25/PISTON W/RING=0.25	1	1						1
58	2	714310-22540	JOGO DE ANÉIS 0.25/RING SET 0.25	1	1						1
62	1	714320-22580	PISTÃO CONJ. 0.50/PISTON W/RING 0.5	1	1						2
64	2	714310-22550	JOGO ANÉIS 0.5/RING SET O.S=0.50	1	1						2
68	1	714650-23610	MANCAL BIELA 0.25/BEARING,PIN(0.25	1	1						3
70	1	714650-23620	MANCAL BIELA 0.50/BEARING,PIN(0.50	1	1						4

Fig.5. LUB.OIL PUMP & GOVERNOR

Fig.5. BOMBA DE ÓLEO LUB. E GOVERNADOR



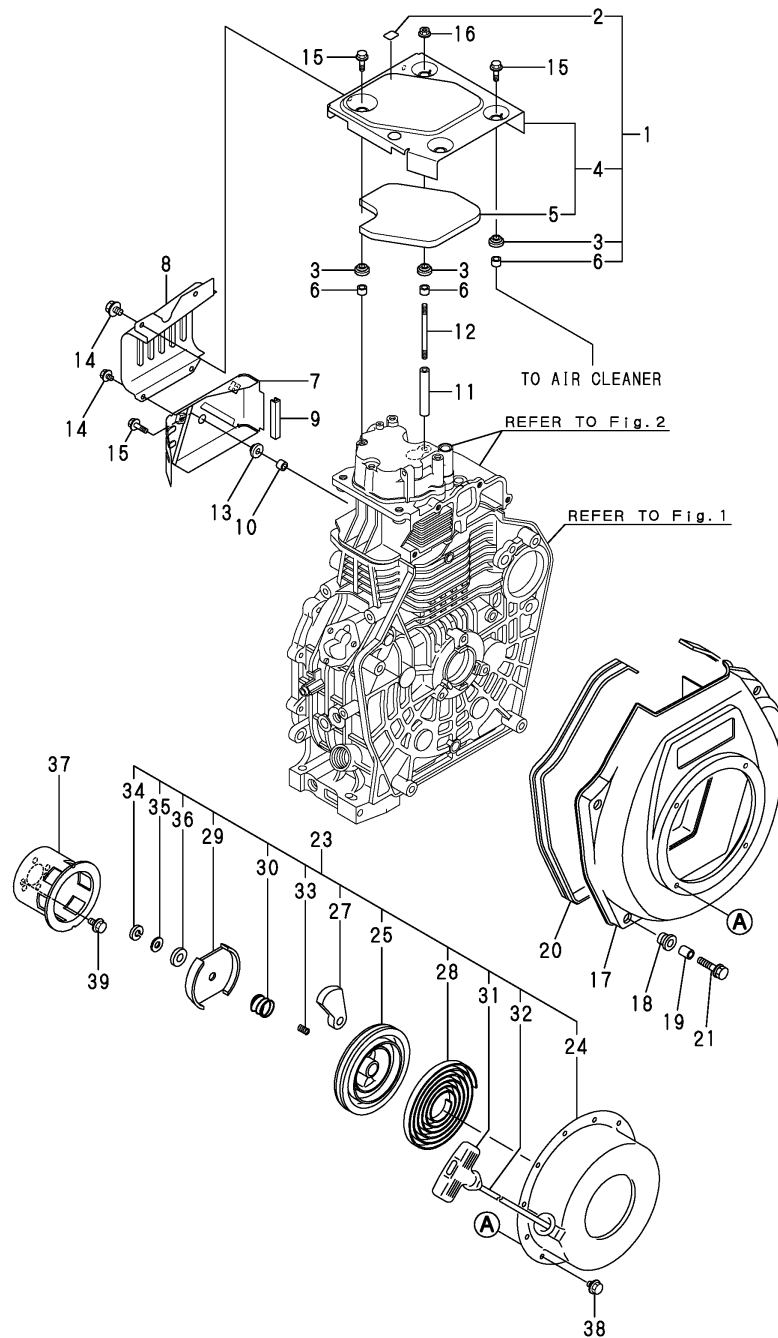
5.BOMBA DE ÓLEO LUB. E GOVERNADOR/LUB.OIL PUMP & GOVERNOR

(A)=L100N6-M
(B)=L100N6-ME
(C)=

(D)=
(E)=
(F)=

REF.	LEV.	PARTS NO.	DESCRIÇÃO/DESCRIPTION	Q'TY						I	R
				(A)	(B)	(C)	(D)	(E)	(F)		
1	1	114650-32010	BOMBA ÓLEO CONJ./PUMP ASSY, LUB.OIL	1	1						
7	1	114250-32070	TAMPA/COVER, LUB.OIL PUMP	1	1						
8	1	103338-32570	O-RING, PUMP COVER	1	1						
9	1	22312-030160	PINO/PIN, 3 X 16	1	1						
10	1	26106-060122	PARAFUSO/BOLT, 6 X 12	3	3						
11	1	114250-35110	FILTRO ÓLEO/FILTER ASSY, LUB.OIL	1	1						
13	2	24341-000224	JUNTA/PACKING, S 22.4	1	1						
14	1	26106-060162	PARAFUSO/BOLT, 6 X 16	1	1						
15	1	114770-61190	JUNTA/WASHER, GOVERNOR	1	1						
16	1	714210-61700	GOVERNADOR CONJ./GOVERNOR ASSY	1	1						
17	2	114210-61290	PESO DO GOVERNADOR/WEIGHT GOV.	1	1						
22	1	114311-61500	ALAVANCA GOVERNADOR/LEVER GOV.	1	1						
31	2	22322-030200	PINO/PIN, 3 X 20	1	1						
33	1	114770-61520	BUCHA/BEARING	2	2						
34	1	114770-61600	RETENTOR ÓLEO/SEAL, OIL	1	1						
35	1	114770-61610	ARRUELA PRESSÃO/WASHER, THRUST	1	1						
36	1	114210-66060	ALAVANCA REG./HANDLE REGULATOR	1	1						
39	2	26117-050089	PARAFUSO/BOLT, 5 X 8	1	1						
40	1	114210-66100	SUPORTE REGULADOR/BACKET, REG.	1	1						
41	1	114252-66252	MOLA RETORNO/SPRING, RETURN	1	1						
42	1	114250-66440	PARAFUSO AJUSTE/BOLT, ADJUSTING	1	1						
43	1	102100-67080	PARAFUSO AJUSTE/BOLT, ADJUSTING	1	1						
44	1	160725-78350	PARAFUSO C/ BOTÃO/BOLT, KNOB M6X15	1	1						
45	1	26106-060142	PARAFUSO/BOLT, 6 X 14	1	1						
46	1	26106-060202	PARAFUSO/BOLT, 6 X 20	1	1						
47	1	26347-060002	PORCA/U-NUT, 6	1	1						
48	1	26757-060002	PORCA/NUT, 6	2	2						
49	1	114320-66010	MOLA REGULADOR/SPRING, REGULATOR	1	1						
50	1	114250-66200	MOLA RETORNO/SPRING, RETURN	1	1						
51	1	114320-66600	LIMITADOR COMBUSTIVEL/LIMITER ASSY,	1	1						
56	1	26776-100002	PORCA/NUT, 10	1	1						
57	1	114780-61090	TRAVA/TIN	2	2						
58	1	22451-060000	CABO/WIRE, 0.6	2	2						

Fig.6. ARREFECIMENTO E PARTIDA/COOLING & START DEVICE



OCR10-G70100 6. ARREFECIMENTO E PARTIDA/COOLING & START DEVICE

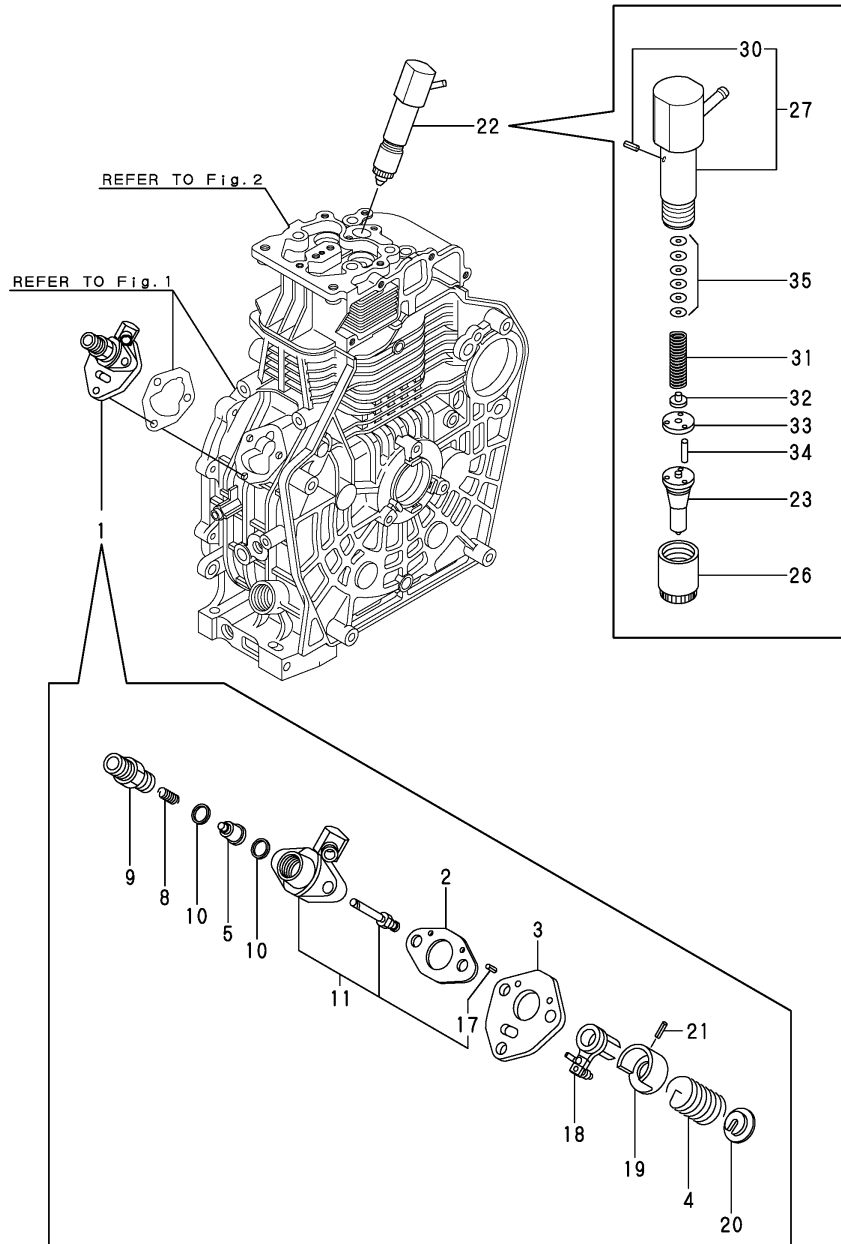
(A)=L100N6-M
(B)=L100N6-ME
(C)=

(D)=
(E)=
(F)=

REF.	LEV.	PARTS NO.	DESCRIÇÃO/DESCRIPTION	Q'TY						I	R
				(A)	(B)	(C)	(D)	(E)	(F)		
1	1	714310-45100	TAMPA CONJ./TOP COVER, ASSY	1	1						
2	2	114210-07200	ADESIVO/LABEL, DECOMPRESSION	1	1						
3	2	114299-45220	LUVA/GROMMET, TANK	4	4						
4	2	114310-45300	TAMPA SUPERIOR/OVER, TOP(BLACK)(13)	1	1						
5	3	114310-45310	AMORTECEDOR/DAMPER	1	1						
6	2	114399-45340	ESPAÇADOR/COLLAR, CYL.COVER	4	4						
7	1	114310-45260	TAMPA LATERAL "B"/COVER B, SIDE	(13)	1	1					
8	1	114310-45270	TAMPA LATERAL "A"/COVER A, SIDE	(13)	1	1					
9	1	114350-45320	BORRACHA DE VEDAÇÃO/RUBBER, SEAL	1	1						
10	1	114350-45340	ESPAÇADOR/COLLAR, CYL.COVER	1	1						
11	1	114310-45350	SPACER, TOP COVER	1	1						
12	1	114310-45360	PRISIONEIRO/STUD BOLT, TOP COVER	1	1						
13	1	183720-55210	LUVA/GROMMET, TANK	1	1						
14	1	26106-060082	PARAFUSO/BOLT, 6 X 8	4	4						
15	1	26106-060202	PARAFUSO/BOLT, 6 X 20	4	4						
16	1	26366-060002	PORCA/NUT, 6	1	1						
17	1	114310-45100-1	TAMPA VOLANTE/FAN CASE (GRAY)(2K)	1	1						
18	1	114250-45301	BORRACHA/RUBBER, CUSHION	4	4						
19	1	114250-45310	ESPAÇADOR/COLLAR, FAN CASE	4	4						
20	1	114650-45330	BORRACHA VEDAÇÃO/SEAL, FAN CASE	1	1						
21	1	114370-45351	PARAFUSO/BOLT, FAN CASE	4	4						
23	1	114699-76251	PARTIDA RETRATIL CONJ./STARTER ASSY	1	1						
24	2	114699-76510	TAMPA PARTIDA/CASE, STARTER	1	1						
25	2	114699-76521	ALOJAMENTO MOLA/REEL, RECOIL	1	1						
27	2	114699-76531	CATRACA/RATCHET	2	2						
28	2	114399-76540	MOLA ESPIRAL/SRING, SPIRAL	1	1						
29	2	114699-76551	GUIA CATRACA/GUIDE, RATCHET	1	1						
30	2	114699-76560	MOLA FRICÇÃO/SRING, FRICTION	1	1						
31	2	114399-76620	MANIPULO PARTIDA/KNOB, STARTER	1	1						
32	2	114699-76630	CORDA PARTIDA/ROPE, STARTER	1	1						
33	2	114699-76650	MOLA COMPRESSÃO/SRING, COMPRES.	1	1						
34	2	114699-76660	ANEL RETENÇÃO/RING, RETAINING	1	1						
35	2	114699-76670	ARRUELA/WASHER	1	1						
36	2	114699-76680	ARRUELA/WASHER	1	1						
37	1	114699-76592	POLIA PARTIDA/PULLEY, STARTER	1	1						
38	1	26106-060082	PARAFUSO/BOLT, 6 X 8	4	4						
39	1	26106-060122	PARAFUSO/BOLT, 6 X 12	3	3						

Fig.7. FUEL INJECTION PUMP & FUEL INJECTION VALVE

Fig.7. BOMBA INJETORA E BICO INJETOR



OCR10-G70100 7. FUEL INJECTION PUMP & FUEL INJECTION VALVE

7. BOMBA INJETORA E BICO INJETOR

(A)=L100N6-M

(B)=L100N6-ME

(C)=

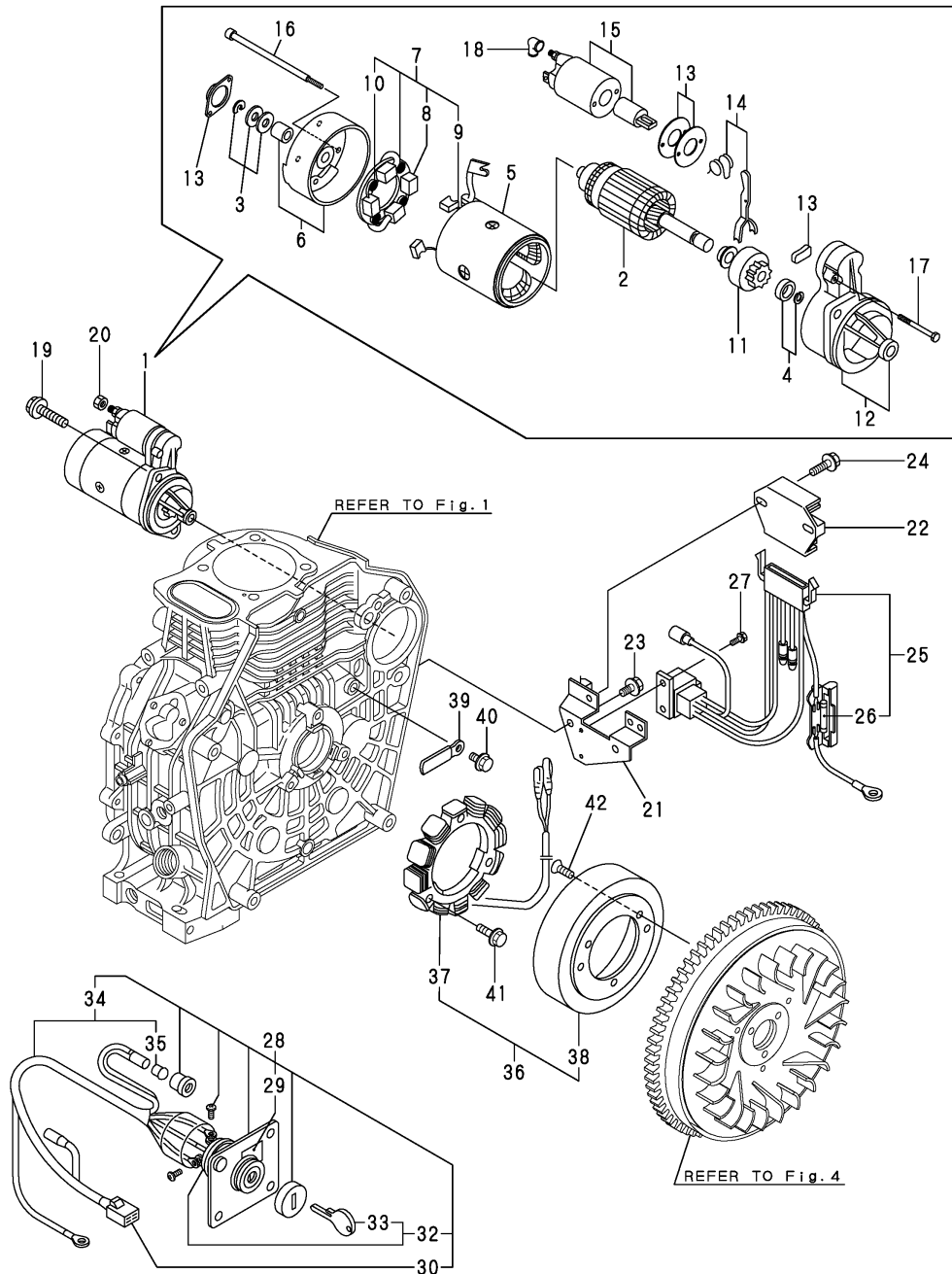
(D)=

(E)=

(F)=

REF.	LEV.	PARTS NO.	DESCRIÇÃO/DESCRIPTION	Q'TY						I	R
				(A)	(B)	(C)	(D)	(E)	(F)		
1	1	714339-51400	BOMBA INJETORA CONJ./F.I.PUMP ASSY	1	1						
2	2	105546-51020	JUNTA CORPO BOMBA/GASKET,PUMP	1	1						
3	2	114250-51080	PRATO/PLATE	1	1						
4	2	114250-51160	MOLA EMBOLO/SPRING, PLUNGER	1	1						
5	2	114650-51300	VALVULA RECALQUE/VALVE ASS, DELIV.	1	1						
8	2	105546-51330	MOLA VALVULA/SPRING, VALVE	1	1						
9	2	114250-51340	FIXADOR VALVULA/HOLDER, DELIVERY	1	1						
10	2	124550-51350	ESPAÇADOR/PACKING, DELIVERY	2	2						
11	2	114339-51400	CORPO CONJ./BODY ASSY,FOP	1	1						
17	4	22351-020006	PINO/PIN, 2.0A X 6	2	2						
18	2	114250-51600	ALAVANCA CONTROLE/LEVER, CONTROL	1	1						
19	2	114250-51640	ASSENTO MOLA/SEAT, SPRING	1	1						
20	2	114250-51650	ASSENTO MOLA/SEAT, SPRING	1	1						
21	2	22351-030008	PINO/PIN, 3.0A X 8	1	1						
22	1	714339-53100	BICO INJETOR/FUEL INJECTOR	1	1						
23	2	114339-53050	ELEMENTO BICO/NOZZLE ASSY	1	1						
26	2	114250-53080	PORCA/NUT,NOZZLE	1	1						
27	2	114339-53100	PORTA INJETOR/HOLDER ASSY, NOZ.	1	1						
30	3	22351-025005	PINO/PIN, 2.5A X 5	1	1						
31	2	114250-53120	MOLA BICO/SPRING,NOZZLE	1	1						
32	2	114250-53130	ASSENTO MOLA/SEAT,SPRING	1	1						
33	2	114250-53140	ESPAÇADOR/SPACER,VALVE STOP	1	1						
34	2	114250-53210	PINO/PIN	2	2						
35	2	114250-53400	CALÇO/SHIM SET	1	1						

Fig.9. STARTING MOTOR & DYNAMO
Fig.9. MOTOR PARTIDA E DINAMO

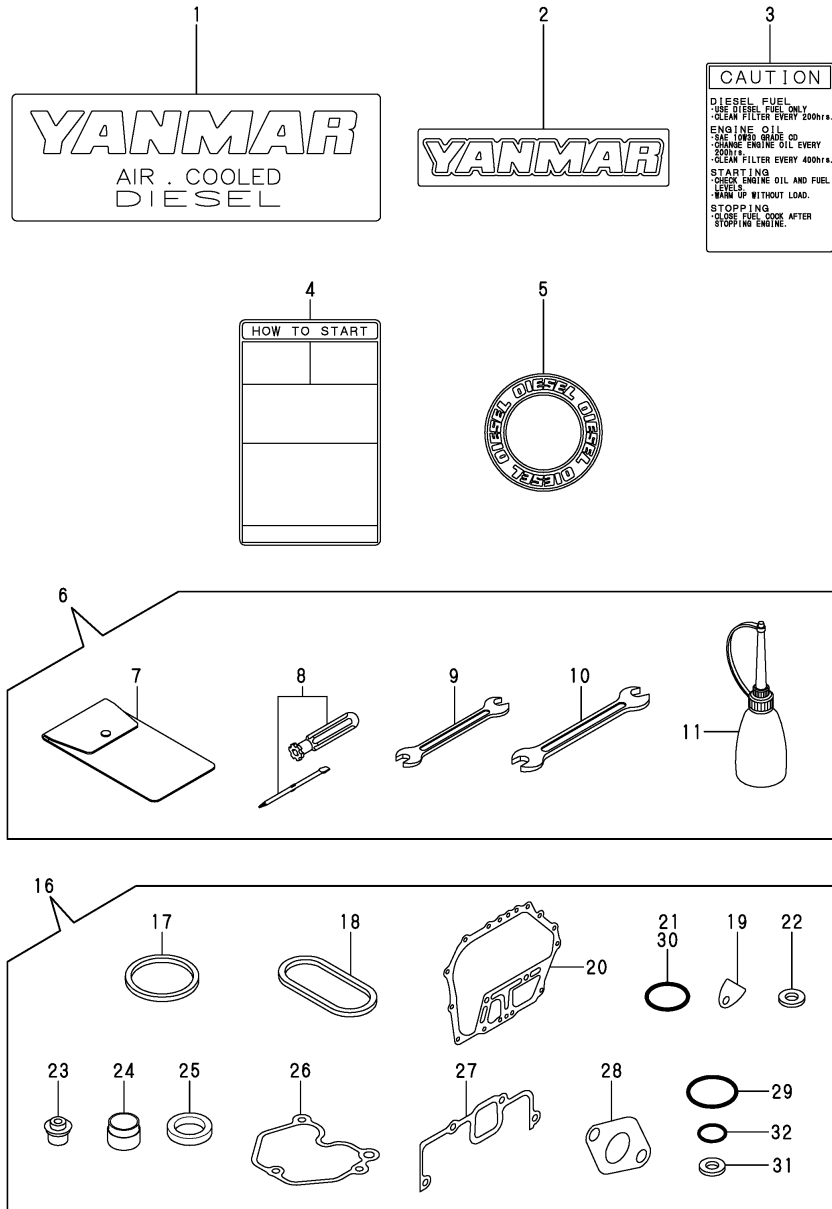


(A)=L100N6-M
(B)=L100N6-ME
(C)=

(D)=
(E)=
(F)=

REF.	LEV.	PARTS NO.	DESCRIÇÃO/DESCRIPTION	Q'TY						I	R
				(A)	(B)	(C)	(D)	(E)	(F)		
1	1	114362-77011	MOTOR PARTIDA/STARTER(HITACHI 12V	1							
2	2	114381-77110	INDUZIDO/ARMATURE		1						
3	2	X2114811000	ARRUELA CONJ./WASHER KIT, THRUST			1					
4	2	X2114715500	LIMITADOR PINHÃO/STOPPER SET, PINION		1						
5	2	114381-77130	BOBINA CONJ./COIL ASSY, FIELD		1						
6	2	114381-77140	TAMPA TRASEIRA/COVER, REAR		1						
7	2	114371-77160	PORTA ESCOVA/HOLDER ASSY, BRUSH		1						
8	3	114371-79040	ESCOVA(-)/BRUSH (-)		2						
9	3	114371-79050	ESCOVA (-)/BRUSH (+)		1						
10	3	114371-79060	MOLA ESCOVA/SPRING, BRUSH		4						
11	2	X211485016	PINHÃO CONJ./PINION ASSY		1						
12	2	114381-77151	ALOJAMENTO/HOUSING ASSY, GEAR		1						
13	2	114371-77170	GUARDA PÓ/COVER KIT, DUST		1						
14	2	114371-77180	ALAVANCA/SHIFT LEVER KIT		1						
15	2	124298-77020	AUTOMÁTICO/SWITCH, MAGNET		1						
16	2	124195-77770	PARAFUSO/THROUGH BOLT		2						
17	2	114371-79070	PARAFUSO/BOLT M 6X 37		2						
18	2	X2114274200	TAMPA TERMINAL/COVER, TERMINAL		1						
19	1	26106-100302	PARAFUSO/BOLT, 10 X 30		2						
20	1	26716-080002	PORCA/NUT, 8		1						
21	1	114385-77400	SUPORTE/BACKET, HARNESS		1						
22	1	119660-77710	LIMITADOR CORRENTE/LIMITER, CURRENT		1						
23	1	26106-060122	PARAFUSO/BOLT, 6 X 12		2						
24	1	26106-060202	PARAFUSO/BOLT, 6 X 20		2						
25	1	114351-77540	REGULATOR TENSÃO/HARNESS, WIRE		1						
26	2	29411-200000	FUSIVEL/FUSE, 20A		2						
27	1	26023-040102	PARAFUSO/SCREW, 4 X 10		2						
28	1	114351-77500	PAINEL PARTIDA CONJ./PANEL ASSY, SWI		1						
29	2	105198-07120	ADESIVOLABEL, START SWITCH		1						
30	2	114351-77520	CHICOTE/COUPLER		1						
32	2	106100-77620	CHAVE PARTIDA CONJ./SWITCH, KEY		1						
33	3	106100-77630	CHAVE PARTIDA/KEY, STARTER		1						
34	2	114351-77700	CHICOTE/HARNESS, WIRE		1						
35	3	29220-083200	LÂMPADA/BULB, 12V 3.4W		1						
36	1	114351-78290	DINAMO CONJ./DINAMO ASSY, 180		1						
37	2	114351-78830	ESTATOR CONJ./STATOR ASSY		1						
38	2	114351-78840	CAPA DO DINAMO/WHEEL, DYNAMO		1						
39	1	160710-78710	ABRAÇADEIRA DO CABO/CLAMP, CORD		1						
40	1	26106-060122	BOLT, 6 X 12		1						
41	1	26106-060202	BOLT, 6 X 20		3						
42	1	26577-060142	PARAFUSO/SCREW, 6 X 14		3						

Fig.10. TOOL,LABEL & GASKET SET
 Fig.10. FERRAMENTAS, ADESIVOS E JOGO JUNTA



Remarks
 (1)OPTIONAL

(A)=L100N6-M (D)=
 (B)=L100N6-ME (E)=
 (C)= (F)=

REF.	LEV.	PARTS NO.	DESCRIÇÃO/DESCRIPTION	Q'TY						I	R
				(A)	(B)	(C)	(D)	(E)	(F)		
1	1	114250-07090	ADESIVO/LABEL, YANMAR MARK A	1	1						
2	1	114250-07111	ADESIVO (B)/LABEL, YANMAR MARK B	1	1						
3	1	114210-07120	ADESIVO ATENÇÃO/LABEL, CAUTION	1	1						
4	1	114210-07130	ADESIVO PARTIDA/LABEL HOW TO START	1	1						
5	1	114261-07350	LABEL, YANMAR	1	1						
6	1	714250-92100	JOGO DE FERRAMENTAS/TOOL ASSY	1	1						
7	2	114250-92600	SACOLA FERRAMENTAS/BAG, TOOL	1	1						
8	2	160330-92730	CHAVE/DRIVER, +	1	1						
9	2	28110-100120	CHAVE DE BOCA/SPANNER, 10 X 12	1	1						
10	2	28110-140170	CHAVE DE BOCASPANNER, 14 X 17	1	1						
11	2	28210-000150	ALMOTOLIA/OILER	1	1						
16	1	714339-92600	JOGO DE JUNTA/GASKET SET(NON-ASB.)	1	1						1
17	2	114651-01340	JUNTA CABEÇOTE/GASKET, HEAD 0.5	1	1						
18	2	114650-01380	ANEL ORING/O-RING, TAPPET	1	1						
19	2	114250-01841	JUNTA COBERTURA/GASKET, COVER	1	1						
20	2	114650-01412	JUNTA/GASKET, CRANK CASE	1	1						
21	2	114299-01950	ANEL DE BORRACHA/O-RING	2	2						
22	2	22190-160002	ARRUELA/WASHER, SEAL 16	2	2						
23	2	114650-11340	RETENTOR VALVULA/SEAL, VALVE STEM	2	2						
24	2	114339-11451	PROTETOR INJETOR/PROTECTOR, NOZ.	1	1						
25	2	114339-11551	ASSENTO INJETOR/SEAT, NOZZLE	1	1						
26	2	114310-11310	JUNTA TAMPA CABEÇOTE/GASKET, BON.	1	1						
27	2	114310-12210	JUNTA COLETOR ADM./GASKET,AIR CLEAN	1	1						
28	2	114310-13200	JUNTA ESCAPE/GASKET, MUFFLER	1	1						
29	2	103338-32570	ANEL BORRACHA/O-RING, PUMP COVER	1	1						
30	2	24341-000224	CHAPA/PACKING, S 22.4	1	1						
31	2	23414-080000	JUNTA/GASKET, 8 X 1.0	1	1						
32	2	24341-000150	CHAPA/PACKING, S 15.0	1	1						