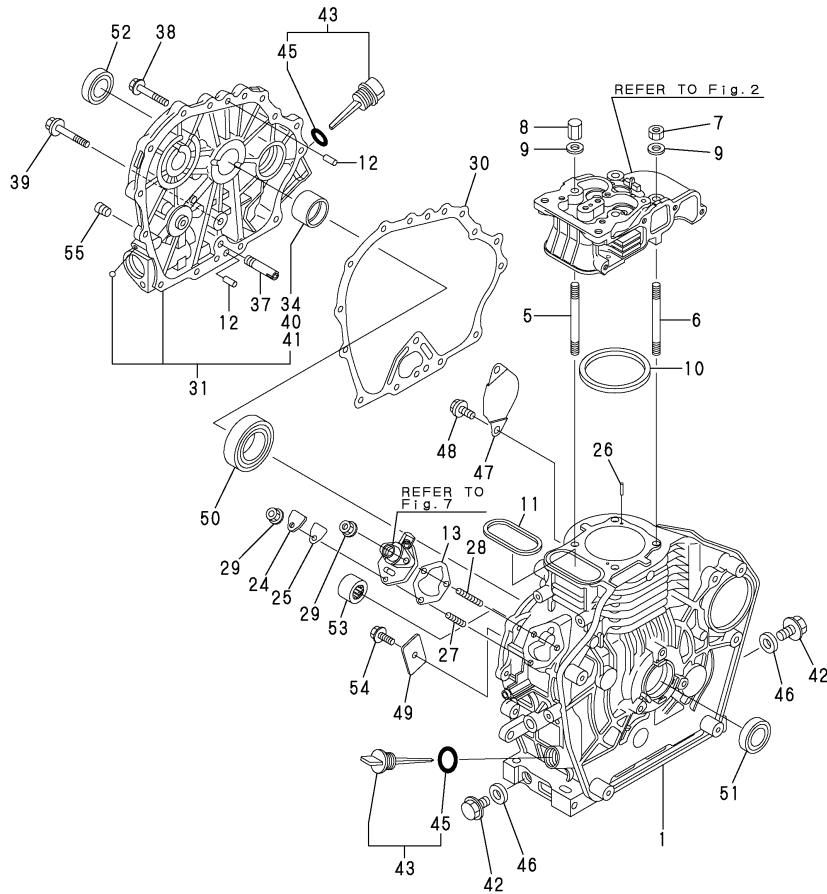


Fig.1. BLOCO CILINDRO/CYLINDER BLOCK



(A)=L48N6-M  
(B)=L48N6-ME  
(C)=

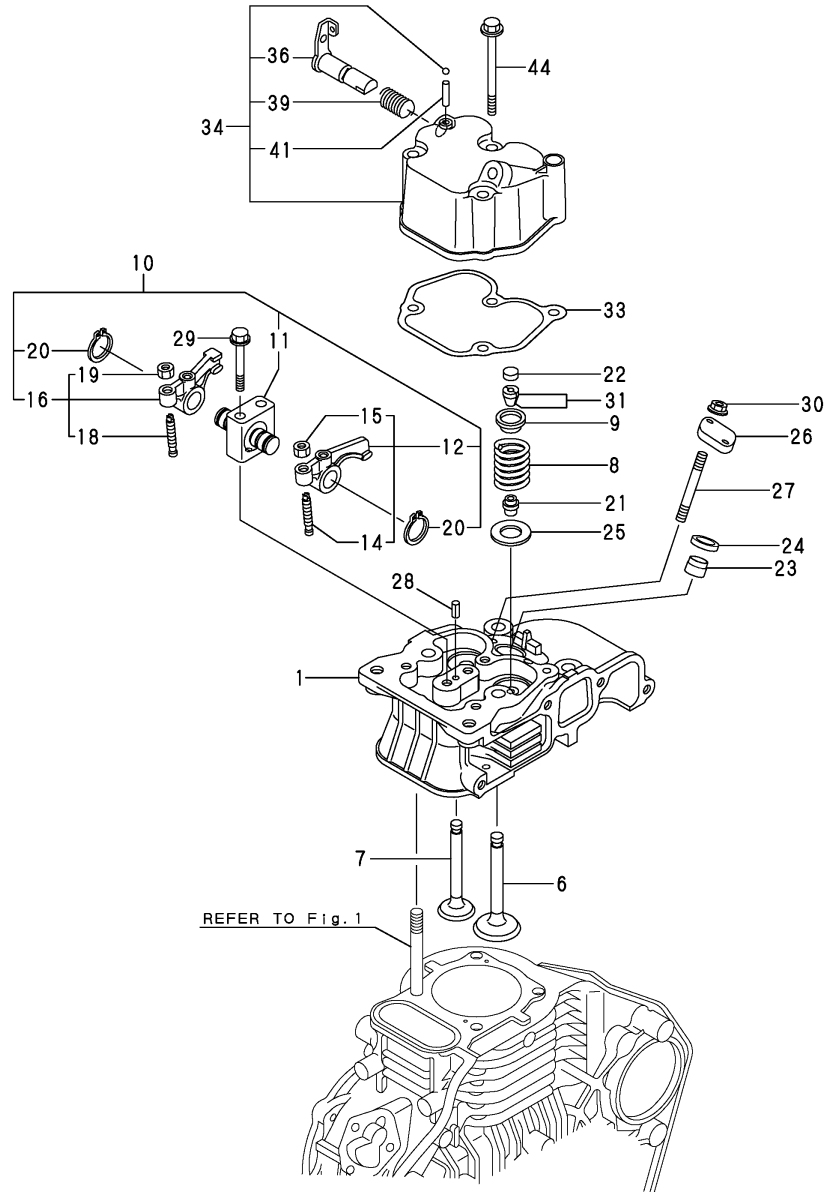
(D)=  
(E)=  
(F)=

REF.	LEV.	PARTS NO.	DESCRIÇÃO/DESCRIPTION	Q'TY						I	R
				(A)	(B)	(C)	(D)	(E)	(F)		
1	1	114149-01010	BLOCO CONJ./BLOCK ASSY, CYLINDER	1	1						
5	1	114250-01200	PRISIONEIROA/BOLT, CYL.HEAD A	2	2						
6	1	114250-01210	PRISIONEIRO B/BOLT, CYL.HEAD B	2	2						
7	1	114250-01221	PORCA DO CABEÇOTE/NUT, CYLINDER HEAD :	2	2						
8	1	114250-01251	PORCA CAP/NUT, CAP M8	2	2						
9	1	124950-01250	ARRUELA/WASHER, HEAD BOLT	4	4						
10	1	114771-01340	JUNTA CABEÇOTE/GASKET, HEAD 0.5	1	1						
11	1	114250-01380	O-RING	1	1						
12	1	114270-01600	PINO/PIN, 8X12	2	2						
13	1	114250-01800	CALÇO BOMBA INJ./SHIM SET, F.I.PUMP	1	1						
24	1	114250-01830	TAMPA CHECK IN/COVER, CHECK HOLE	1	1						
25	1	114250-01841	JUNTA TAMPA/GASKET, COVER	1	1						
26	1	22312-040080	PINO/PIN, 4 X 8	2	2						
27	1	26226-060182	PRISIONEIRO/STUD,BOLT 6 X 18	1	1						
28	1	26226-060222	PRISIONEIRO/STUD,BOLT 6 X 22	2	2						
29	1	26366-060002	PORCA/NUT, 6	3	3						
30	1	114250-01412	JUNTA TAMPA/GASKET, CRANK CASE	1	1						
31	1	114260-01455	TAMPA CONJ./COVER (D),CRANK CASE	1	1						
34	2	114250-02100	MANCAL PRINCIPAL/BEARING, MAIN	1	1						1
37	1	114250-35150	TUBO/PIPE, INLET	1	1						
38	1	26106-060252	PARAFUSO/BOLT, 6 X 25	14	14						
39	1	26106-080352	PARAFUSO/BOLT, 8 X 35	1	1						
40	1	114250-02200	MANCAL PRINC.=0.25/MAIN BEARING=0.25	1	1						2
41	1	114250-02210	MANCAL PRINC.=0.25/MAIN BEARING=0.50	1	1						3
42	1	105425-01690	PLUG DRENO/PLUG, DRAIN 16	2	2						
43	1	114299-01760	MEDIDOR ÓLEO CONJ./CAP ASSY, L/O.SUP	2	2						
45	2	114299-01950	O-RING	2	2						
46	1	22190-160002	ARRUELA/WASHER, SEAL 16	2	2						
47	1	114350-01700	TAMPA PARTIDA/COVER, STARTER	1							
48	1	26106-100122	PARAFUSO/BOLT, 10 X 12	2							
49	1	114299-02030	RETENTOR/RETAINER, BEARING	1	1						
50	1	114250-02113	ROLAMENTO/BEARING, HR6306G,3C3	1	1						
51	1	160110-02220	RETENTOR ÓLEO/SEAL, OIL	1	1						
52	1	160210-02220	RETENTOR ÓLEO/SEAL, OIL	1	1						
53	1	24162-152112	ROLAMENTO AGULHA/NEEDLE, 152112	1	1						
54	1	26106-080122	PARAFUSO/BOLT, 8 X 12	1	1						
55	1	23876-010000	PLUG, R01	1	1						

Remarks

- (1)REPAIR PART.
- (2)UNDER SIZED(U.S.=0.25)PART.
- (3)UNDER SIZED(U.S.=0.50)PART.

Fig.2. CABEÇOTE E TAMPA/CYLINDER HEAD & BONNET



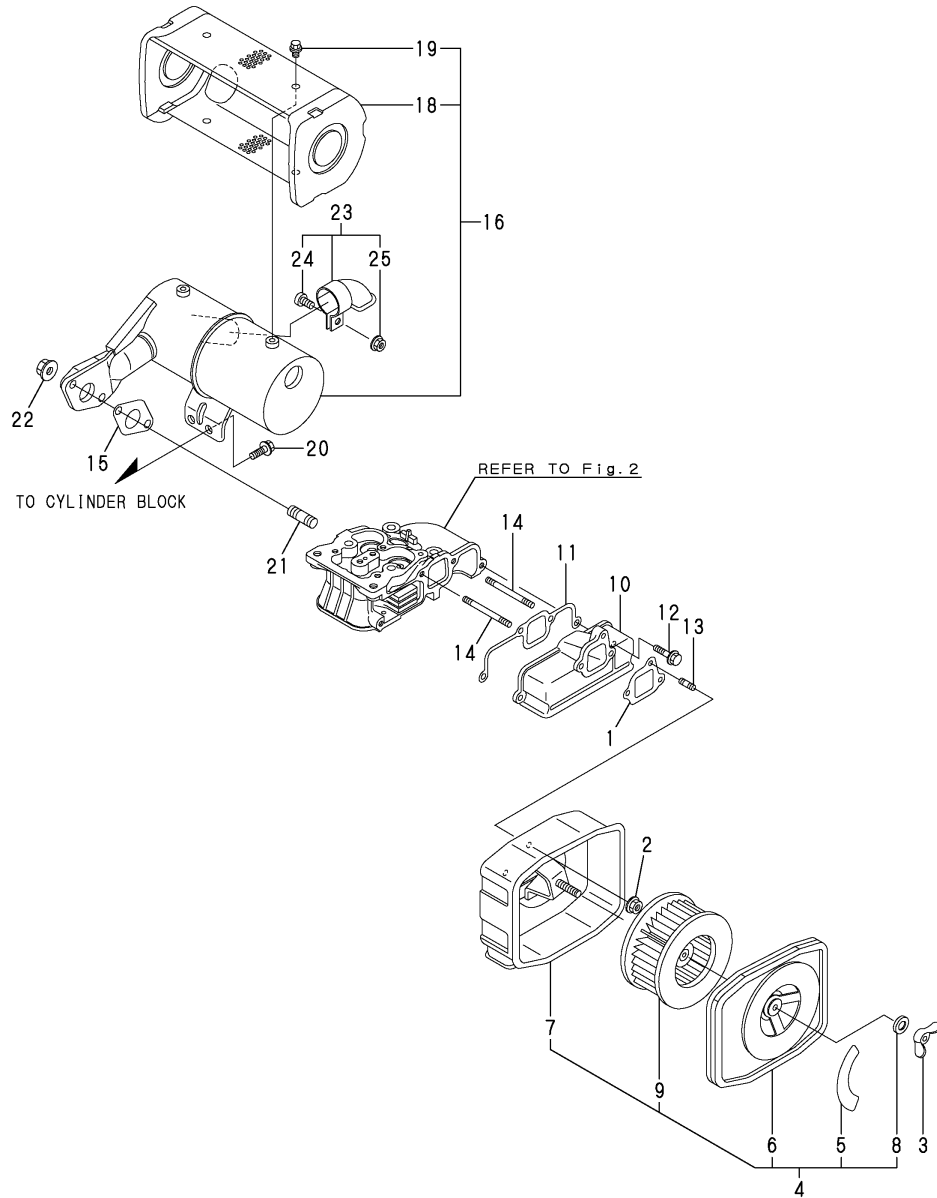
2. CABEÇOTE E TAMPA/CYLINDER HEAD & BONNET

(A)=L48N6-M  
(B)=L48N6-ME  
(C)=

(D)=  
(E)=  
(F)=

REF.	LEV.	PARTS NO.	DESCRIÇÃO/DESCRIPTION	Q'TY						
				(A)	(B)	(C)	(D)	(E)	(F)	
1	1	114120-11030	CABEÇOTE /HEAD ASSY, CYLINDER	1	1					
6	1	114771-11100	VALVULA ADMISSÃO/VALVE, INTAKE	1	1					
7	1	114771-11110	VALVULA ESCAPE/VALVE, EXHAUST	1	1					
8	1	114250-11120	MOLA VALVULA/SPRING, VALVE	2	2					
9	1	114250-11180	PRATO DA MOLA/RETAINER, SPRING	2	2					
10	1	114771-11250	SUPORTE BALANCIM CONJ./SUPPORT ASSY	1	1					
11	2	114771-11260	SUPORTE BALANCIM/SUPPORT, ROCKER AR	1	1					
12	2	114771-11650	BALANCIM ADMISSÃO/ARM ASSY INTAKE	1	1					
14	3	114250-11240	PARAFUSO AJUSTE/SCREW, ADJUSTING	1	1					
15	3	26856-060002	PORCA/NUT, 6	1	1					
16	2	114771-11660	BALANCIM ESCAPE/ARM ASSY EXHAUST	1	1					
18	3	114250-11240	PARAFUSO AJUSTE/SCREW, ADJUSTING	1	1					
19	3	26856-060002	PORCA/NUT, 6	1	1					
20	2	22242-000120	ANEL TRAVA/RING, 12	2	2					
21	1	114250-11340	RETENTOR VALVULA/SEAL, VALVE STEM	2	2					
22	1	119260-11370	CAPA VALVULA/CAP, VALVE	2	2					
23	1	114339-11451	PROTETOR BICO INJ./PROTECTOR, NOZZLE	1	1					
24	1	114339-11551	ASSENTO BIO INJ./SEAT, NOZZLE	1	1					
25	1	114250-11600	ARRUELA MOLA VALVULA/WASHER, VALVE SPRING	2	2					
26	1	114250-11901	PRENDEDOR BICO INJ./RETAINER, NOZZLE	1	1					
27	1	114718-11910	PRISIONEIRO/STUD BOLT, M6X65	2	2					
28	1	22351-040008	PINO/PIN, 4.0A X 8	1	1					
29	1	26106-060452	PARAFUSO/BOLT, 6 X 45	2	2					
30	1	26366-060002	PORCA/NUT, 6	2	2					
31	1	27310-055001	COLAR/COTTER	2	2					
33	1	114771-11310	JUNTA TAMPA CAB./GASKET, BONNET	1	1					
34	1	114771-11950	TAMPA CAB. CONJ./BONNET ASSY, HEAD	1	1					
36	2	114250-03591	ALAVANCA DESC./SHAFT ASSY, DECOMP.	1	1					
39	2	114250-03640	MOLA DESC./SPRING, DECOMP.	1	1					
41	2	22312-030160	PINO/PIN, 3 X 16	1	1					
44	1	26106-060552	PARAFUSO/BOLT, 6 X 55	3	3					

Fig.3. FILTRO AR E SILENCIOSO/AIR CLEANER & MUFFLER

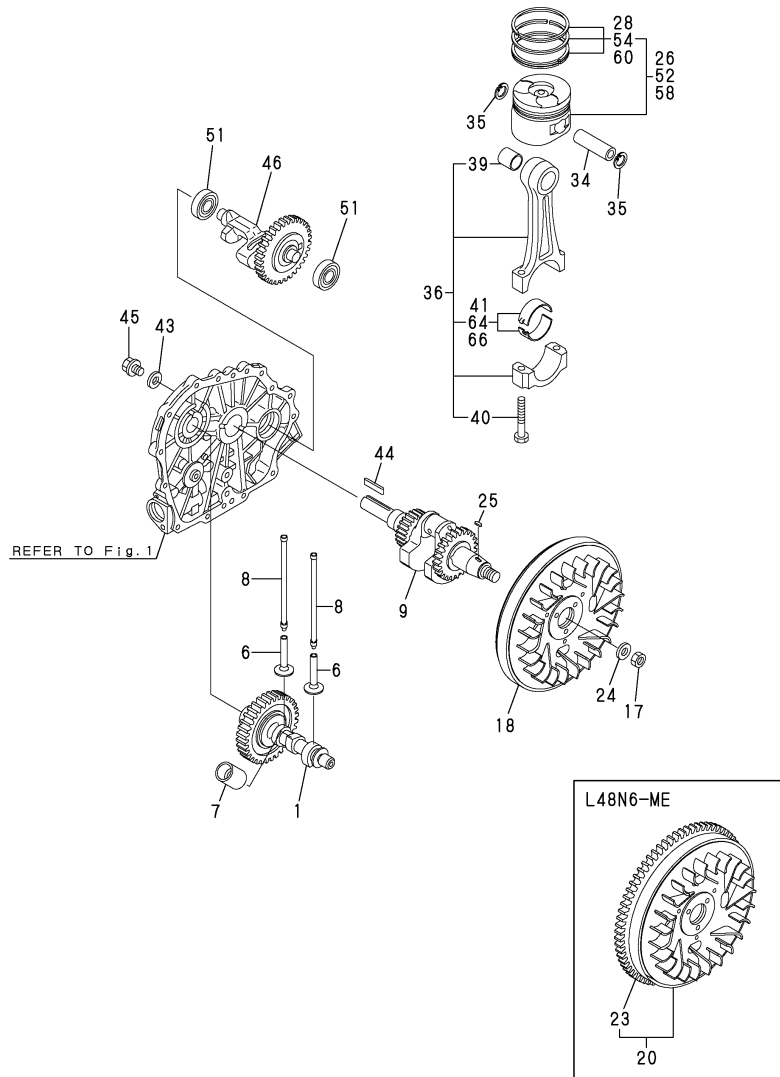


(A)=L48N6-M  
(B)=L48N6-ME  
(C)=

(D)=  
(E)=  
(F)=

REF.	LEV.	PARTS NO.	DESCRIÇÃO/DESCRIPTION	Q'TY						I	R
				(A)	(B)	(C)	(D)	(E)	(F)		
1	1	114250-12211	JUNTA FILTRO AR/GASKET, AIR CLEANER	1	1						
2	1	114250-12300	PORCA/NUT	3	3						
3	1	114250-12550	PORCA BORBOLETA/NUT, WING M6	1	1						
4	1	114250-12570	FILTRO AR CONJ./CLEANER ASSY, AIR	1	1						
5	2	114770-07450	ADESIVO FILTRO AR/LABEL, AIR CLEANER	1	1						
6	2	114250-12520	TAMPA FILTRO AR/COVER ASSY, CLEANER	1	1						
7	2	114250-12530	TAMPA FILTRO AR/CASE ASSY, CLEANER	1	1						
8	2	114250-12560	ARRUELA/WASHER, SEAL	1	1						
9	2	114250-12581	ELEMENTO FILTRO/ELEMENT, WET	1	1						
10	1	114771-12010	COLETOR ADMISSÃO/PIPE, INTAKE	1	1						
11	1	114771-12200	JUNTA COLETOR/GASKET, AIR INTAKE	1	1						
12	1	26106-060252	PARAFUSO/BOLT, 6 X 25	2	2						
13	1	26226-060142	PRISIONEIRO/STUD,BOLT 6 X 14	1	1						
14	1	26226-060552	PRISIONEIRO/STUD,BOLT 6 X 55	2	2						
15	1	114250-13201	JUNTA SILENCIOSO/GASKET, MUFFLER	1	1						
16	1	11429C-13500	SILENCIOSO CONJ./MUFFLER ASSY, E-D	1	1						
18	2	11429C-13700	PROTEÇÃO SILENCIOSO/COVER, MUFFLER	1	1						
19	2	26106-060082	PARAFUSO/BOLT M 6X 8 PLATED	4	4						
20	1	26106-060122	PARAFUSO/BOLT, 6 X 12	2	2						
21	1	26216-080182	PRISIONEIRO/STUD,BOLT 8 X 18	2	2						
22	1	26306-080002	PORCA/NUT, 8	2	2						
23	1	114288-13800	TUBO ESCAPE CONJ./PIPE ASSY, EXHAUST	1	1						
24	2	26554-060182	PARAFUSO/SCREW M 6X 18	1	1						
25	2	26367-060002	PORCA/NUT 6	1	1						

Fig.4. CRANKSHAFT,PISTON & CAMSHAFT  
 Fig.4. VIRABREQUIM, PISTÃO E COMANDO VALVULA



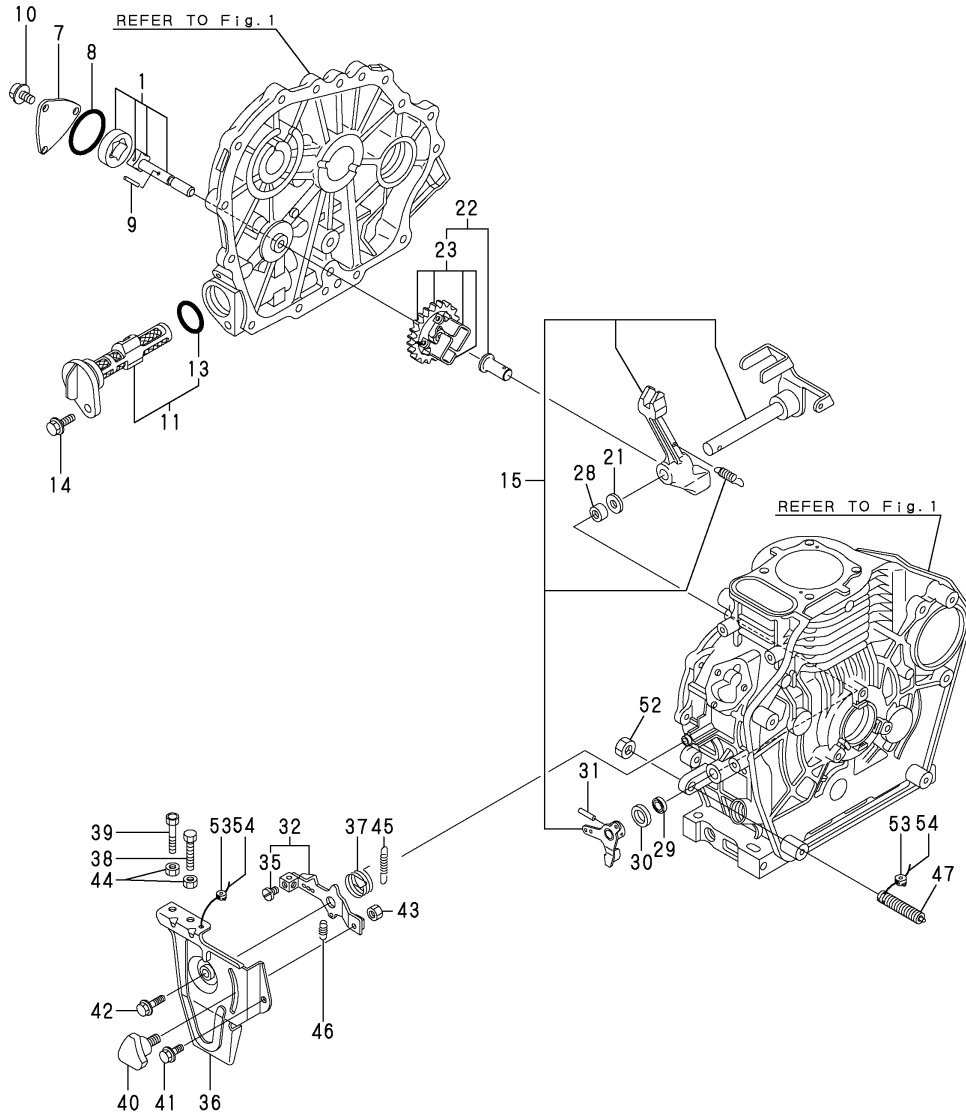
Remarks  
 (1)OVER SIZED(O.S.=0.25)PART.  
 (2)OVER SIZED(O.S.=0.50)PART.  
 (3)UNDER SIZED(U.S.=0.25)PART.  
 (4)UNDER SIZED(U.S.=0.50)PART.

OCR10-G69900 4. CRANKSHAFT,PISTON & CAMSHAFT  
 4. VIRABREQUIM, PISTÃO E COMANDO VALVULA

(A)=L48N6-M  
 (B)=L48N6-ME  
 (C)=  
 (D)=  
 (E)=  
 (F)=

REF.	LEV.	PARTS NO.	DESCRIÇÃO/DESCRIPTION	Q'TY						I	R
				(A)	(B)	(C)	(D)	(E)	(F)		
1	1	71429C-14010	COMANDO VALVULA CONJ./CAMSHAFT ASSY	1	1						
6	1	114250-14200	TUCHO/TAPPET	2	2						
7	1	114771-14260	BUCHA/TAPPET, FUEL OIL	1	1						
8	1	114250-14451	VARETA VALVULA/ROD CMP, PUSH	2	2						
9	1	71429C-21050	VIRABREQUIM/CRANKSHAFT ASSY	1	1						
17	1	103854-01221	PORCA VIRABREQUIM/NUT, CYLINDER HEAD	1	1						
18	1	11429C-21420	VOLANTE/FLYWHEEL, DE	1							
20	1	11429C-21590	VOLANTE C/ CREMALHEIRA/FLYWHEEL ASSY,		1						
23	2	11429C-21600	CREMALHEIRA/GEAR, RING D		1						
24	1	114250-21550	ARRUELA/WASHER, FLYWHEEL	1	1						
25	1	22512-040120	CHAVETA/KEY, 4 X 12	1	1						
26	1	714120-22720	PISTÃO C/ ANÉIS/PISTON W/RINGS (D	1	1						
28	2	714295-22500	JOGO DE ANÉIS/RING SET, PISTON	1	1						
34	1	114299-22300	PINO PISTÃO/PIN, PISTON	1	1						
35	1	22252-000190	ANEL TRAVA/RING, 19	2	2						
36	1	71429C-23010	BIELA CONJ./ROD ASSY, CONNECTING	1	1						
39	3	114770-23100	BUCHA PINO PISTÃO/BUSH, PISTON PIN	1	1						
40	3	119265-23200	PARAFUSO BIELA/BOLT, CONNECTING ROD	2	2						
41	2	714770-23600	MANCAL BIELA/BEARING, CRANKPIN	1	1						
43	1	160310-14550	ARRUELA/WASHER, PULLEY	1	1						
44	1	160642-21150	CHAVETA/KEY, 4.7X30	1	1						
45	1	160642-21250	PARAFUSO/BOLT, M5/15-24UNF	1	1						
46	1	714770-28531	EIXO BALANCEADOR/SHAFT ASSY, BALANC.	1	1						
51	1	24101-062020	ROLAMENTO/BEARING, 6202 C3	2	2						
52	1	714120-22620	PISTÃO C/ ANÉIS=0.25/PISTON W/RING=0.25	1	1						1
54	2	714295-22540	JOGO ANÉIS=0.25/RING SET O.S=0.25	1	1						1
58	1	714120-22580	PISTÃO C/ ANÉIS=0.5/PISTON W/RING=0.5	1	1						2
60	2	714295-22550	JOGO ANÉIS=0.25/RING SET O.S=0.50	1	1						2
64	1	714770-23610	MANCAL BIELA=0.25/BEARING, PIN=0.25	1	1						3
66	1	714770-23620	MANCAL BIELA=0.50/BEARING, PIN=0.50	1	1						4

Fig.5. LUB.OIL PUMP & GOVERNOR  
Fig.5. BOMBA DE ÓLEO LUB. E GOVERNADOR

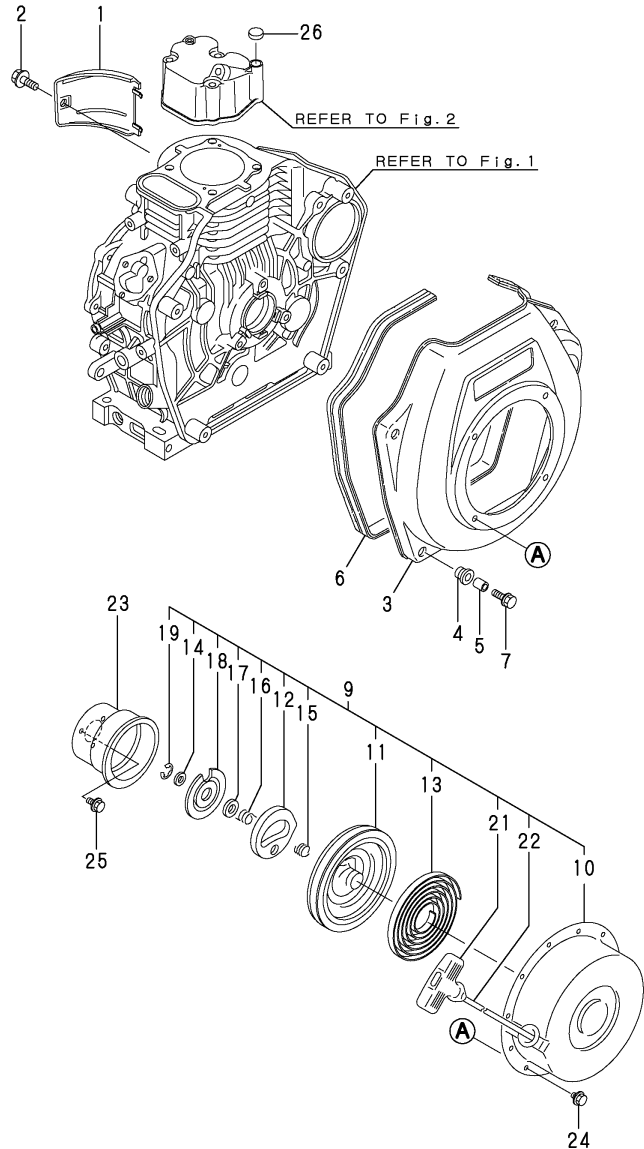


(A)=L48N6-M  
(B)=L48N6-ME  
(C)=

(D)=  
(E)=  
(F)=

REF.	LEV.	PARTS NO.	DESCRIÇÃO/DESCRIPTION	Q'TY						I	R
				(A)	(B)	(C)	(D)	(E)	(F)		
1	1	114250-32010	BOMBA ÓLEO CONJ./PUMP ASSY, LUB.OIL	1	1						
7	1	114250-32070	TAMPA BOMBA ÓLEO/COVER, LUB. OIL PUMP	1	1						
8	1	103338-32570	ORING VEDAÇÃO/O-RING, PUMP COVER	1	1						
9	1	22312-030160	PINO/PIN, 3 X 16	1	1						
10	1	26106-060122	PARAFUSO/BOLT, 6 X 12	3	3						
11	1	114250-35110	FILTRO ÓLEO LUB./FILTER ASSY, LUB.OIL	1	1						
13	2	24341-000224	ARRUELA/PACKING, S 22.4	1	1						
14	1	26106-060162	PARAFUSO/BOLT, 6 X 16	1	1						
15	1	114771-61170	ALAVANCA GOV./LEVER ASSY, GOVERNOR	1	1						
21	1	114770-61190	ARRUELA GOV./WASHER, GOVERNOR	1	1						
22	1	714299-61700	GOVERNADOR CONJ./GOVERNOR ASSY	1	1						
23	2	114299-61210	PESO GOV./WEIGHT ASSY, GOVERNO	1	1						
28	1	114770-61520	BUCHA/BEARING	2	2						
29	1	114770-61600	RETENTOR ÓLEO/SEAL, OIL	1	1						
30	1	114770-61610	ARRUELA/WASHER, THRUST	1	1						
31	1	22322-030200	PINO/PIN, 3 X 20	1	1						
32	1	114210-66060	ALAVANCA REG./HANDLE ASY,REGULATOR	1	1						
35	2	26117-050089	PARAFUSO/BOLT, 5 X 8	1	1						
36	1	114210-66100	SUPORTE/BRACKET, REGULATOR	1	1						
37	1	114252-66252	MOLA RETORNO/SPRING, RETURN	1	1						
38	1	114250-66440	PARAFUSO AJUSTE/BOLT, ADJUSTING	1	1						
39	1	102100-67080	PARAFUSO AJUSTE/BOLT, ADJUSTING	1	1						
40	1	160725-78350	BOTÃO/BOLT, KNOB M6X15	1	1						
41	1	26106-060142	PARAFUSO/BOLT, 6 X 14	1	1						
42	1	26106-060202	PARAFUSO/BOLT, 6 X 20	1	1						
43	1	26347-060002	PORCA/U-NUT, 6	1	1						
44	1	26757-060002	PORCA/NUT, 6	2	2						
45	1	114770-66010	MOLA REGULADOR/SPRING, REGULATOR	1	1						
46	1	114250-66200	MOLA RETORNO/SPRING, RETURN	1	1						
47	1	114211-66600	LIMITADOR INJEÇÃO/LIMITER ASSY, FUEL	1	1						
52	1	26776-100002	PORCA/NUT, 10	1	1						
53	1	114780-61090	TRAVA/TIN	2	2						
54	1	22451-060000	CABO/WIRE, 0.6	2	2						

Fig.6. ARREFECIMENTO E PARTIDA/COOLING & START DEVICE



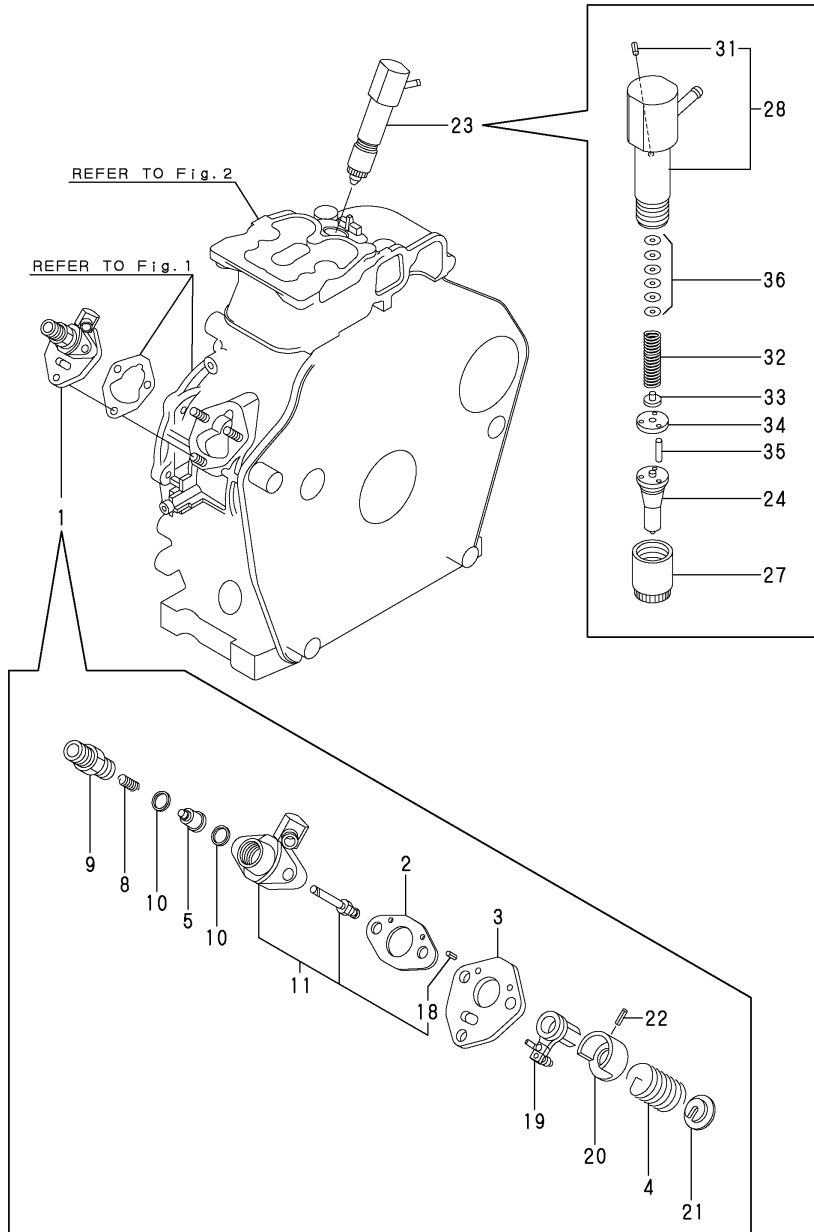
OCR10-G69900 6. ARREFECIMENTO E PARTIDA/COOLING & START DEVICE

(A)=L48N6-M  
(B)=L48N6-ME  
(C)=

(D)=  
(E)=  
(F)=

REF.	LEV.	PARTS NO.	DESCRIÇÃO/DESCRIPTION	Q'TY						I	R
				(A)	(B)	(C)	(D)	(E)	(F)		
1	1	114299-45210	PROTEÇÃO CILINDRO/COVER, CYLINDER	1	1						
2	1	26106-060122	PARAFUSO/BOLT, 6 X 12	1	1						
3	1	114771-45100	TAMPA VENTILADOR/CASE, COOLING FAN	1	1						
4	1	114250-45301	AMORTECEDOR/RUBBER, CUSHION	4	4						
5	1	114250-45310	BUCHA TAMPA VENT./COLLAR, FAN CASE	4	4						
6	1	114250-45330	BORRACHA DE VEDAÇÃO/SEAL, FAN CASE	1	1						
7	1	114370-45351	PARAFUSO TAMPA VENT./BOLT, FAN CASE	4	4						
9	1	114260-76251	PARTIDA RETRATIL CONJ./STARTER ASSY,	1	1						
10	2	114260-76520	TAMPA PARTIDA/CASE, STARTER	1	1						
11	2	160260-76520	CARRETEL/REEL	1	1						
12	2	160260-76530	CATRACA/RATCHET	1	1						
13	2	160260-76540	MOLA ESPIRAL/SPRING, SPIRAL	1	1						
14	2	160260-76550	ARRUELA/WASHER, THRUST	1	1						
15	2	160260-76560	MOLA FRICÇÃO/SPRING, FRICTION	1	1						
16	2	160290-76570	MOLA RETORNO/SPRING, RETURN	1	1						
17	2	160260-76580	ALOJAMENTO MOLA/COVER, SPRING	1	1						
18	2	160260-76590	PRATO FRICÇÃO/PLATE, FRICTION	1	1						
19	2	160260-76600	ARRUELA TRAVA/WASHER, STOPPER	1	1						
21	2	114250-76620	MANIPULO PARTIDA/KNOB, STARTER	1	1						
22	2	160260-76630	CORDA PARTIDA/ROPE, STARTER	1	1						
23	1	114250-76590	POLIA PARTIDA/PULLEY, STARTER	1	1						
24	1	26106-060082	PARAFUSO/BOLT, 6 X 8	4	4						
25	1	26106-060122	PARAFUSO/BOLT, 6 X 12	3	3						
26	1	129100-61850	PLUG	1	1						

Fig.7. FUEL INJECTION PUMP & FUEL INJECTION VALVE  
 Fig.7. BOMBA INJETORA E BICO INJETOR

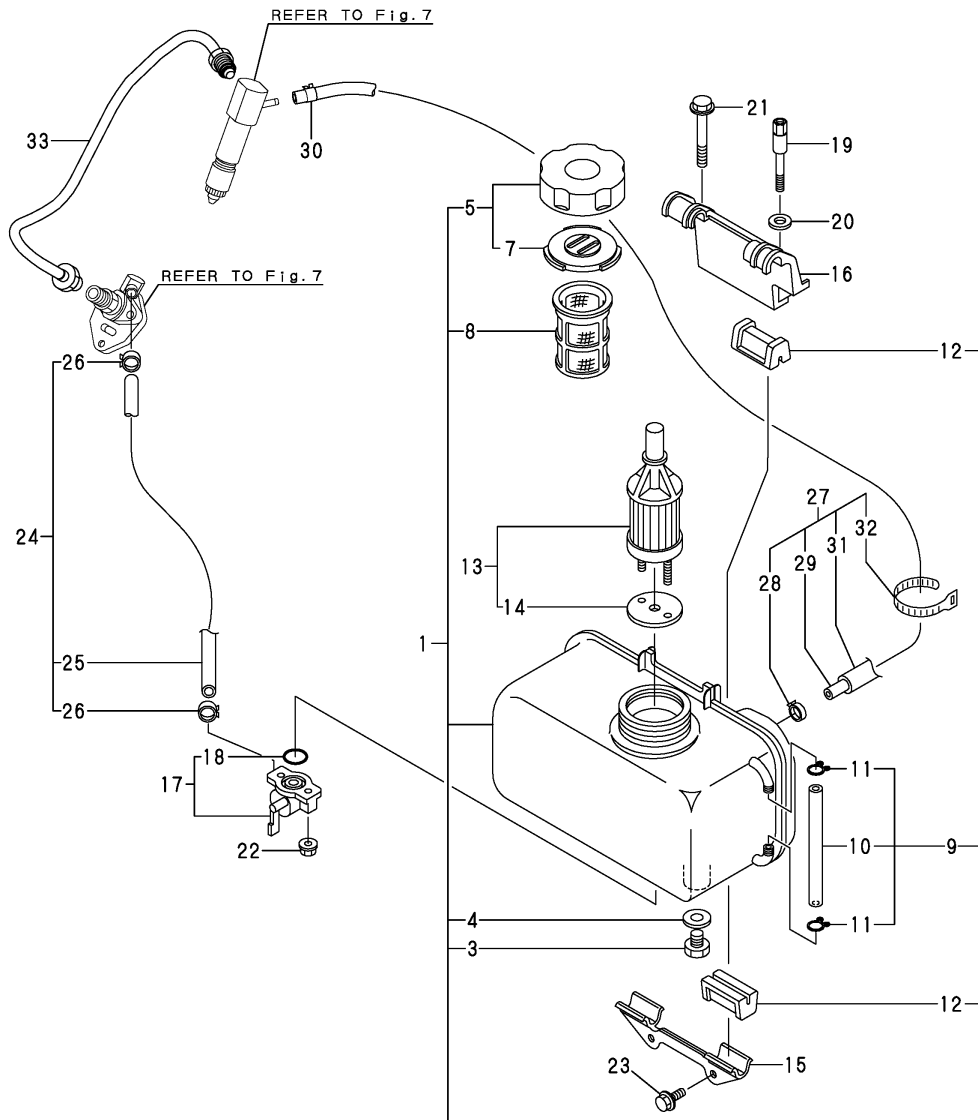


7. BOMBA INJETORA E BICO INJETOR

(A)=L48N6-M (D)=  
 (B)=L48N6-ME (E)=  
 (C)= (F)=

REF.	LEV.	PARTS NO.	DESCRIÇÃO/DESCRIPTION	Q'TY						I	R
				(A)	(B)	(C)	(D)	(E)	(F)		
1	1	714139-51400	BOMBA INJETORA CONJ./F.I.PUMP ASSY	1	1						
2	2	105546-51020	JUNTA CORPO BOMBA/GASKET, PUMP BODY	1	1						
3	2	114250-51080	PRATO/PLATE	1	1						
4	2	114250-51160	MOLA FLANGE/SPRING, PLUNGER	1	1						
5	2	114250-51300	VALVULA RECALQUE/VALVE ASSY, DELIVERY	1	1						
8	2	105546-51330	MOLA VALVULA/SPRING, VALVE	1	1						
9	2	114250-51340	FIXADOR VALVULA REC./HOLDER, DELIVERY	1	1						
10	2	124550-51350	JUNTA/PACKING, DELIVERY	2	2						
11	2	114350-51400	CORPO BOMBA/BODY ASSY, PUMP	1	1						
18	4	22351-020006	PINO/PIN, 2.0A X 6	2	2						
19	2	114250-51600	ALAVANCA CONTROLE/LEVER, CONTROL	1	1						
20	2	114250-51640	ASSENTO DA MOLA/SEAT, SPRING	1	1						
21	2	114250-51650	ASSENTO DA MOLA/SEAT, SPRING	1	1						
22	2	22351-030008	PINO/PIN, 3.0A X 8	1	1						
23	1	714139-53100	BICO INJETOR/FUEL INJECTOR	1	1						
24	2	114139-53050	ELEMENTO CONJ./NOZZLE ASSY	1	1						
27	2	114250-53080	PORCA BICO INJ./NUT, NOZZLE	1	1						
28	2	114139-53100	PORTA INJETOR/HOLDER ASSY, NOZZLE	1	1						
31	3	22351-025005	PINO/PIN, 2.5A X 5	1	1						
32	2	114250-53120	MOLA/SPRING, NOZZLE	1	1						
33	2	114250-53130	ASSENTO DA MOLA/SEAT, SPRING	1	1						
34	2	114250-53140	ESPAÇADOR/SPACER, VALVE STOP	1	1						
35	2	114250-53210	PINO/PIN	2	2						
36	2	114250-53400	CALÇO/SHIM SET	1	1						

Fig.8. FUEL TANK & FUEL PIPE  
Fig.8. TANQUE DE COMBUSTIVEL E TUBO



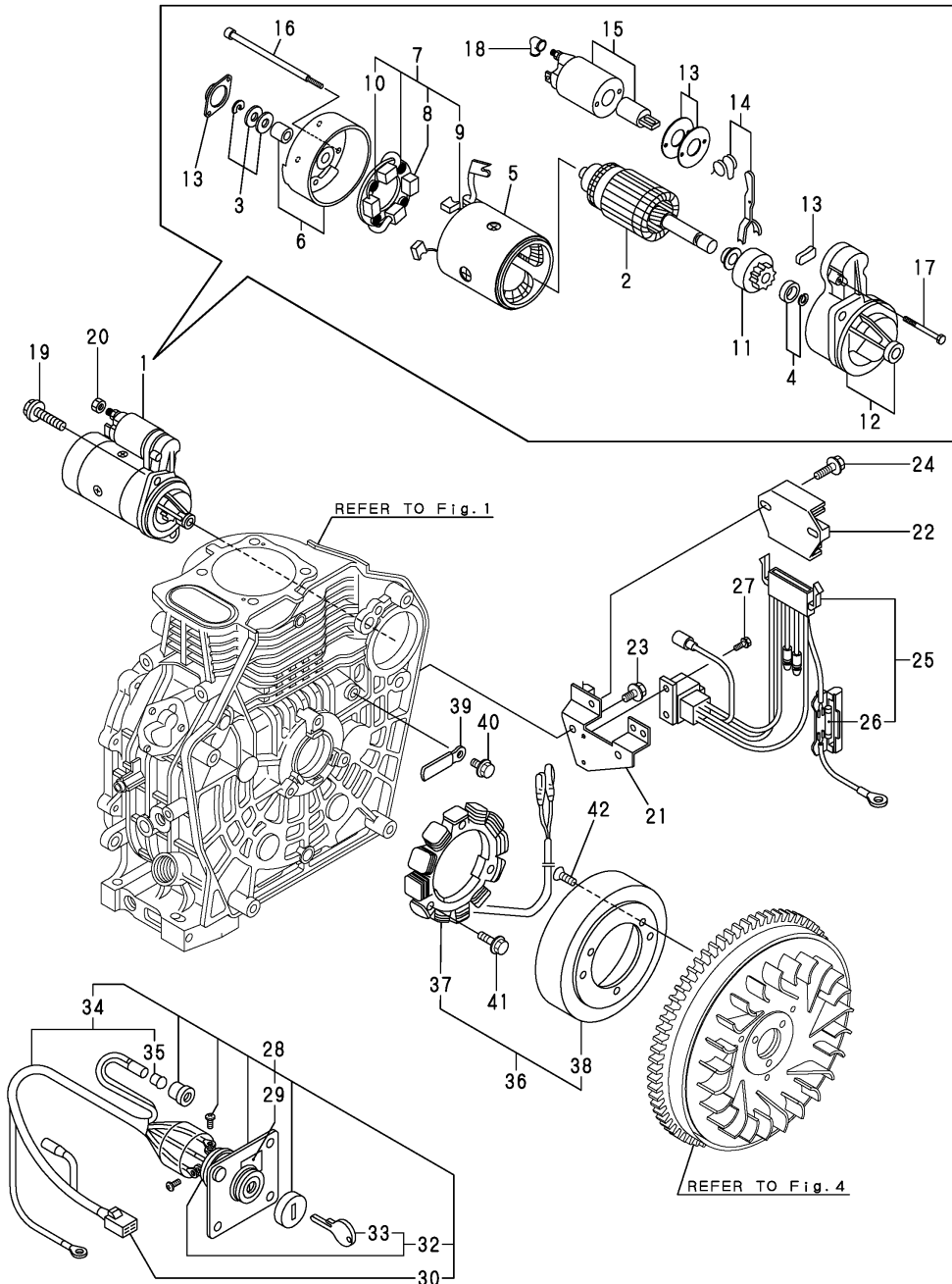
(A)=L48N6-M (D)=  
(B)=L48N6-ME (E)=  
(C)= (F)=

REF.	LEV.	PARTS NO.	DESCRIÇÃO/DESCRIPTION	Q'TY						I	R
				(A)	(B)	(C)	(D)	(E)	(F)		
1	1	714250-55702-1	TANQUE COMB. CONJ./TANK,FUEL(BLACK)	1	1						
3	3	105300-55080	PLUG DRENO/PLUG, DRAIN	1	1						
4	3	23414-080000	JUNTA/GASKET 8, ROUND	1	1						
5	2	114288-55041	TAMPA TANQUE/CAP ASSY, FUEL TANK	1	1						
7	3	114288-55081	VALVULA/VALVE	1	1						
8	2	114250-55100	FILTRO DE COMB./FILTER, FUEL	1	1						
9	2	114770-55200	INDICADOR NIVEL CONJ./PIPE ASSY,FUEL	1	1						
10	3	114250-55150	INDICADOR NIVEL/PIPE, GAUGE	1	1						
11	3	103854-55220	ABRAÇADEIRA/CLAMP	2	2						
12	2	114250-55201	AMORTECEDOR TANQUE/DAMPER, TANK	4	4						
13	1	114250-55121	FILTRO ÓLEO COMB./FILTER, FUEL OIL	1	1						
14	2	114250-55130	JUNTA/GASKET	1	1						
15	1	114299-55210	SUPORTE/STAY	1	1						
16	1	114299-55230	SUPORTE B/STAY (B)	1	1						
17	1	114250-55301	TORNEIRA/COCK	1	1						
18	2	24341-000150	O-RING 1A S-15.0	1	1						
19	1	114650-55810	PARAFUSO/BOLT, LIFTING	1	1						
20	1	22117-080000	ARRUELA/WASHER 8	1	1						
21	1	26106-080452	PARAFUSO/BOLT M 8X 45 PLATED	1	1						
22	1	26366-060002	PORCA/NUT M 6	2	2						
23	1	26106-060162	PARAFUSO/BOLT M 6X 16 PLATED	2	2						
24	1	114780-59010	TUBO COMB. CONJ./PIPE ASSY, FUEL OIL	1	1						
25	2	114780-59060	TUBO COMB./PIPE, FUEL OIL	1	1						
26	2	23080-014000	ABRAÇADEIRA/CLAMP 14	2	2						
27	1	114239-59300	TUBO RETORNO CONJ./PIPE ASSY, RETURN	1	1						
28	2	124722-59050	ABRAÇADEIRA/CLAMP, 9	1	1						
29	2	114650-59060	TUBO RETORNO/PIPE, FUEL RETURN	1	1						
30	2	124066-59100	ABRAÇADEIRA/CLIP, HOSE 8	1	1						
31	2	114652-59310	TUBO PROTEÇÃO/TUBE, PROTECTOR	1	1						
32	2	121750-59890	ABRAÇADEIRA/CLAMP, NYLON 140	1	1						
33	1	114120-59800	TUBO ALTA PRESSÃO/PIPE, FUEL INJECTION	1	1						



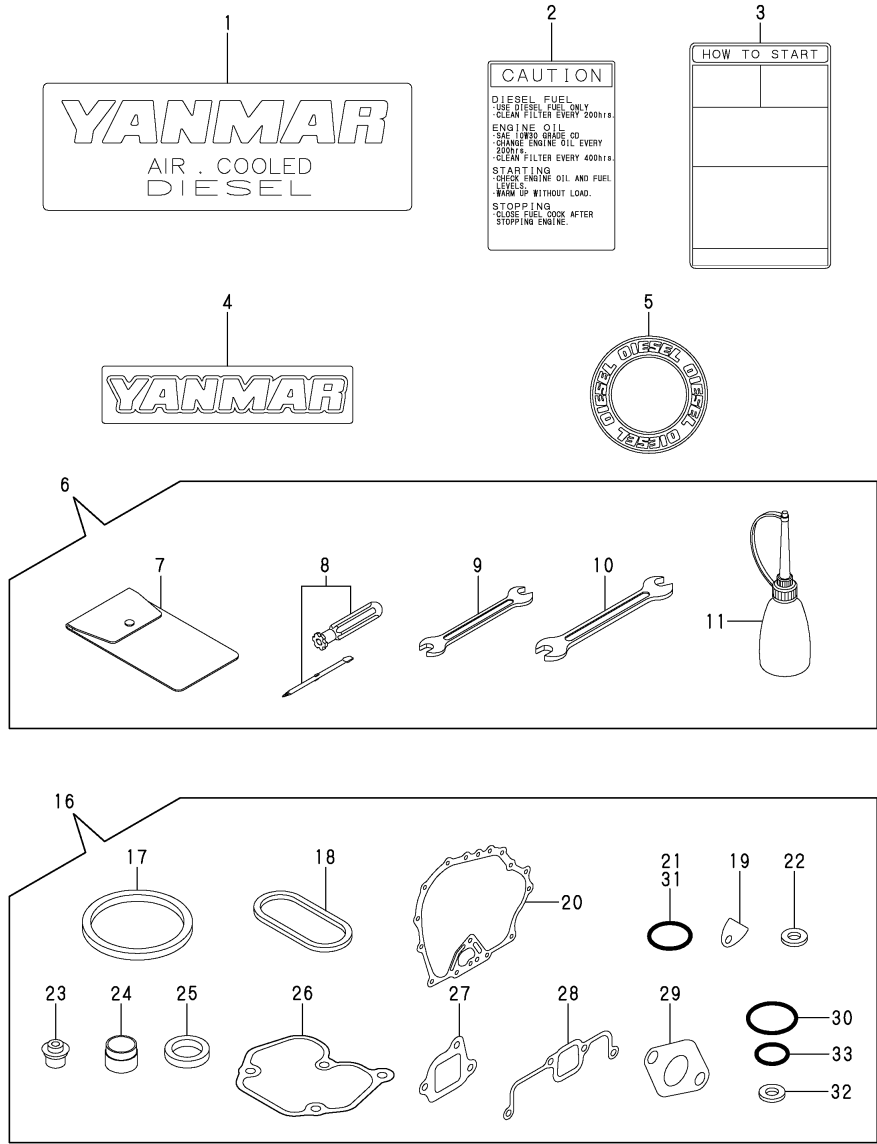
Fig.9. STARTING MOTOR & DYNAMO  
Fig.9. MOTOR PARTIDA E DINAMO

(A)=L48N6-M (D)=  
(B)=L48N6-ME (E)=  
(C)= (F)=



REF.	LEV.	PARTS NO.	DESCRIÇÃO/DESCRIPTION	Q'TY						I	R
				(A)	(B)	(C)	(D)	(E)	(F)		
1	1	114362-77011	MOTOR PARTIDA/STARTER(HITACHI 12V	1							
2	2	114381-77110	INDUZIDO/ARMATURE	1							
3	2	X2114811000	ARRUELA CONJ./WASHER KIT, THRUST	1							
4	2	X2114715500	LIMITADOR PINHÃO/STOPPER SET, PINION	1							
5	2	114381-77130	BOBINA CONJ./COIL ASSY, FIELD	1							
6	2	114381-77140	TAMPA TRASEIRA/COVER, REAR	1							
7	2	114371-77160	PORTA ESCOVA/HOLDER ASSY, BRUSH	1							
8	3	114371-79040	ESCOVA(-)/BRUSH (-)	2							
9	3	114371-79050	ESCOVA (-)/BRUSH (+)	1							
10	3	114371-79060	MOLA ESCOVA/SPRING, BRUSH	4							
11	2	X211485016	PINHÃO CONJ./PINION ASSY	1							
12	2	114381-77151	ALOJAMENTO/HOUSING ASSY, GEAR	1							
13	2	114371-77170	GUARDA PÓ/COVER KIT, DUST	1							
14	2	114371-77180	ALAVANCA/SHIFT LEVER KIT	1							
15	2	124298-77020	AUTOMÁTICO/SWITCH, MAGNET	1							
16	2	124195-77770	PARAFUSO/THROUGH BOLT	2							
17	2	114371-79070	PARAFUSO/BOLT M 6X 37	2							
18	2	X2114274200	TAMPA TERMINAL/COVER, TERMINAL	1							
19	1	26106-100302	PARAFUSO/BOLT, 10 X 30	2							
20	1	26716-080002	PORCA/NUT, 8	1							
21	1	114385-77400	SUPORTE/BRACKET, HARNESS	1							
22	1	119660-77710	LIMITADOR CORRENTE/LIMITER, CURRENT	1							
23	1	26106-060122	PARAFUSO/BOLT, 6 X 12	2							
24	1	26106-060202	PARAFUSO/BOLT, 6 X 20	2							
25	1	114351-77540	REGULATOR TENSÃO/HARNESS, WIRE	1							
26	2	29411-200000	FUSIVEL/FUSE, 20A	2							
27	1	26023-040102	PARAFUSO/SCREW, 4 X 10	2							
28	1	114351-77500	PAINEL PARTIDA CONJ./PANEL ASSY, SWI	1							
29	2	105198-07120	ADESIVOLABEL, START SWITCH	1							
30	2	114351-77520	CHICOTE/COUPLER	1							
32	2	106100-77620	CHAVE PARTIDA CONJ./SWITCH, KEY	1							
33	3	106100-77630	CHAVE PARTIDA/KEY, STARTER	1							
34	2	114351-77700	CHICOTE/HARNESS, WIRE	1							
35	3	29220-083200	LÂMPADA/BULB, 12V 3.4W	1							
36	1	114351-78290	DINAMO CONJ./DINAMO ASSY, 180	1							
37	2	114351-78830	ESTATOR CONJ./STATOR ASSY	1							
38	2	114351-78840	CAPA DO DINAMO/WHEEL, DYNAMO	1							
39	1	160710-78710	ABRAÇADEIRA DO CABO/CLAMP, CORD	1							
40	1	26106-060122	BOLT, 6 X 12	1							
41	1	26106-060202	BOLT, 6 X 20	3							
42	1	26577-060142	PARAFUSO/SCREW, 6 X 14	3							

Fig.10. TOOL,LABEL & GASKET SET  
 Fig.10. FERRAMENTAS, ADESIVOS E JOGO JUNTA



Remarks  
 (1)OPTIONAL

(A)=L48N6-M (D)=  
 (B)=L48N6-ME (E)=  
 (C)= (F)=

REF.	LEV.	PARTS NO.	DESCRIÇÃO/DESCRIPTION	Q'TY						I	R
				(A)	(B)	(C)	(D)	(E)	(F)		
1	1	114250-07090	ADESIVO/LABEL, YANMAR MARK A	1	1						
2	1	114250-07111	ADESIVO (B)/LABEL, YANMAR MARK B	1	1						
3	1	114210-07120	ADESIVO ATENÇÃO/LABEL, CAUTION	1	1						
4	1	114210-07130	ADESIVO PARTIDA/LABEL HOW TO START	1	1						
5	1	114261-07350	LABEL, YANMAR	1	1						
6	1	714250-92100	JOGO DE FERRAMENTAS/TOOL ASSY	1	1						
7	2	114250-92600	SACOLA FERRAMENTAS/BAG, TOOL	1	1						
8	2	160330-92730	CHAVE/DRIVER, +	1	1						
9	2	28110-100120	CHAVE DE BOCA/SPANNER, 10 X 12	1	1						
10	2	28110-140170	CHAVE DE BOCASANNER, 14 X 17	1	1						
11	2	28210-000150	ALMOTOLIA/OILER	1	1						
16	1	714139-92610	JOGO DE JUNTA/GASKET SET(NON-ASB.)	1	1						1
17	2	114771-01340	JUNTA CABEÇOTE/GASKET, HEAD 0.5	1	1						
18	2	114250-01380	ANEL ORING/O-RING, TAPPET	1	1						
19	2	114250-01841	JUNTA COBERTURA/GASKET, COVER	1	1						
20	2	114250-01412	JUNTA/GASKET, CRANK CASE	1	1						
21	2	114299-01950	ANEL DE BORRACHA/O-RING	2	2						
22	2	22190-160002	ARRUELA/WASHER, SEAL 16	2	2						
23	2	114250-11340	RETENTOR VALVULA/SEAL, VALVE STEM	2	2						
24	2	114339-11451	PROTETOR INJETOR/PROTECTOR, NOZZLE	1	1						
25	2	114339-11551	ASSENTO INJETOR/SEAT, NOZZLE	1	1						
26	2	114771-11310	JUNTA TAMPA CABEÇOTE/GASKET, BONNET	1	1						
27	2	114250-12211	JUNTA FILTRO AR/GASKET, AIR CLEANER	1	1						
28	2	114771-12200	JUNTA ESCAPE/GASKET, MUFFLER	1	1						
29	2	114250-13201	ANEL BORRACHA/O-RING, PUMP COVER	1	1						
30	2	103338-32570	CHAPA/PACKING, S 22.4	1	1						
31	2	24341-000224	JUNTA/GASKET, 8 X 1.0	1	1						
32	2	23414-080000	CHAPA/PACKING, S 15.0	1	1						
33	2	24341-000150	ANEL ORING/O-RING 1A S-15.0	1	1						