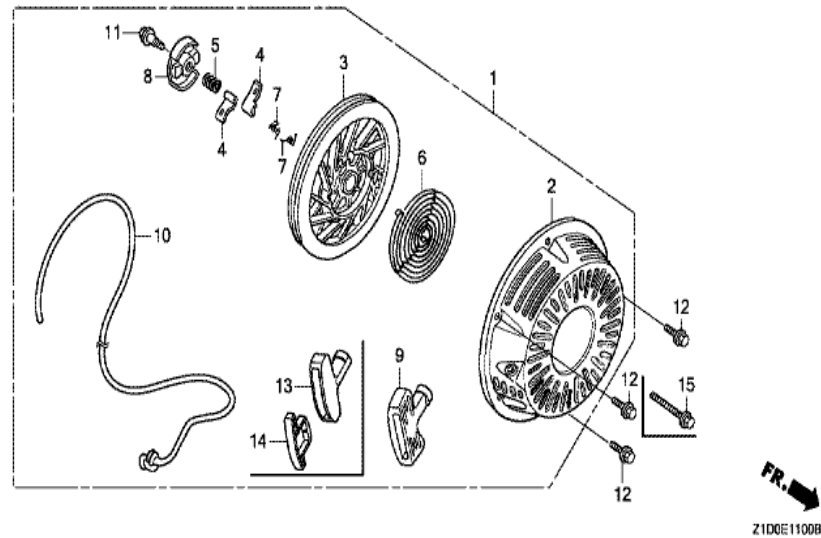


GX270T2(QCWE)

E-11 RECOIL STARTER (1)

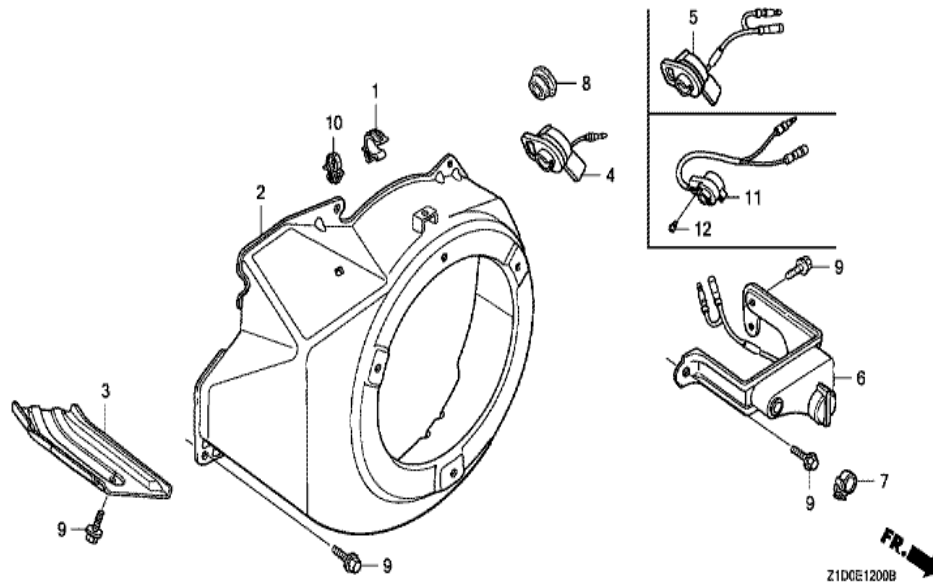


Z1D0E1100B

<u>Ref</u>	<u>Partnumber</u>	<u>Description</u>	<u>GX270T2</u>	<u>Serial Numbers</u>
001	28400-Z5K-013ZA	STARTER ASSY., RECOIL *R280*	1	
002	28410-ZE2-W01ZN	CASE COMP., RECOIL STARTER *R280 *	1	
003	28421-ZE2-W01	PULLEY, RECOIL STARTER	1	
004	28422-ZE2-W01	RATCHET, STARTER	2	
005	28441-ZE2-W01	SPRING, FRICTION	1	
006	28442-ZE2-W01	SPRING, STARTER RETURN	1	
007	28443-ZE2-W01	SPRING, RATCHET	2	
008	28444-ZE2-W01	RETAINER, SPRING	1	
010	28462-ZE2-W11	ROPE, RECOIL STARTER	1	
011	90004-ZE2-W01	SCREW, CENTER	1	
012	95701-0601000	BOLT, FLANGE, 6X10	3	
013	28461-Z5T-003	GRIP, STARTER	1	
014	28463-Z5T-013	GRIP, REINFORCEMENT	1	

GX270T2(QCWE)

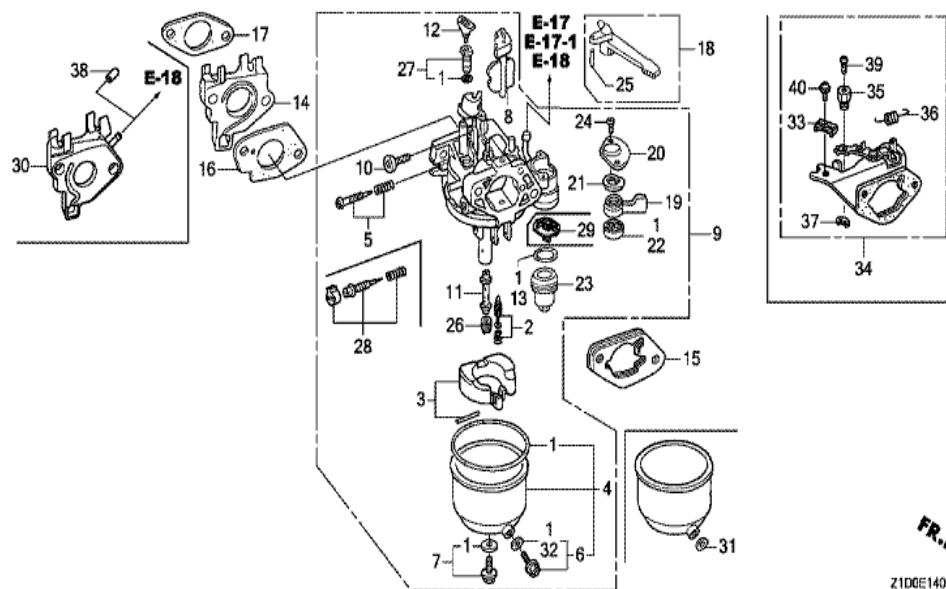
E-12 FAN COVER (1)



<u>Ref</u>	<u>Partnumber</u>	<u>Description</u>	<u>GX270T2</u>	<u>Serial Numbers</u>
001	16731-ZE2-003	CLIP, TUBE	1	
002	19610-Z5K-000ZC	COVER COMP., FAN *R280*	1	
003	19631-Z5K-000	SHROUD	1	
009	90013-883-000	BOLT, FLANGE, 6X12 (CT200)	6	
011	35120-Z5T-003	SWITCH ASSY., ENGINE STOP	1	
012	90004-Z5T-000	SCREW, TAPPING, 3X6 (PO)	2	

GX270T2(QCWE)

E-14 CARBURETOR (1)

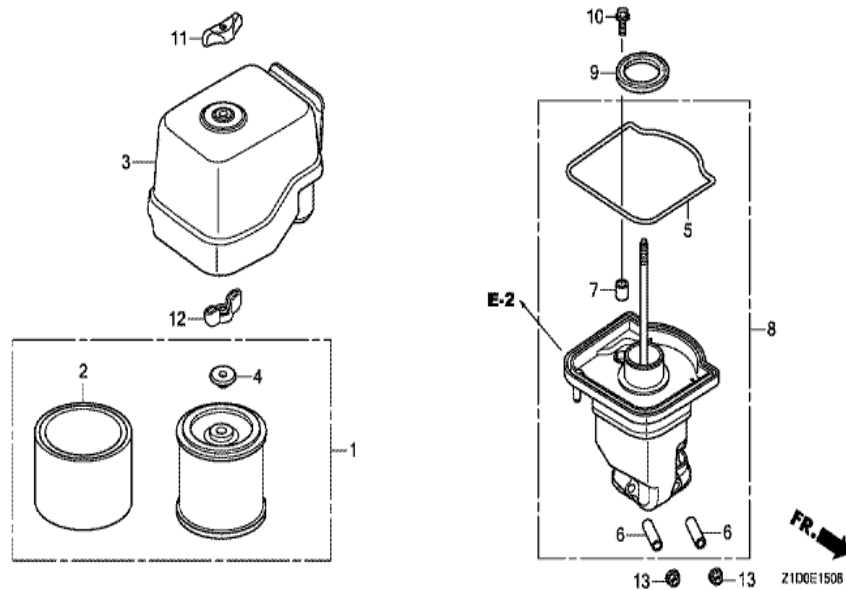


<u>Ref</u>	<u>Partnumber</u>	<u>Description</u>	<u>GX270T2</u>	<u>Serial Numbers</u>
001	16010-ZE2-812	GASKET SET	1	
002	16011-ZA0-931	VALVE SET, FLOAT	1	
003	16013-Z1C-003	FLOAT SET	1	
004	16015-Z5T-901	CHAMBER SET, FLOAT	1	
006	16024-Z5T-901	SCREW SET, DRAIN	1	
007	16028-Z5T-901	SCREW SET	1	
008	16044-ZE2-005	CHOKE SET	1	
009	16100-Z5K-781	CARBURETOR ASSY. (BE75T A)	1	
010	16124-ZE0-005	SCREW, THROTTLE STOP	1	
011	16166-Z5K-701	NOZZLE, MAIN	1	
012	16172-ZE3-W10	COLLAR, SETTING	1	
013	16173-001-004	O-RING	1	
014	16211-ZE2-010	INSULATOR, CARBURETOR	1	
<u>Ref</u>	<u>Partnumber</u>	<u>Description</u>	<u>GX270T2</u>	<u>Serial Numbers</u>
015	16220-ZA0-702	SPACER COMP., CARBURETOR	1	
016	16221-Z5K-000	PACKING, CARBURETOR	1	
017	16212-Z5K-000	PACKING, INSULATOR	1	
018	16610-ZE1-000	LEVER COMP., CHOKE (STD.)	1	
019	16953-ZE1-812	LEVER, COCK	1	

020	16954-ZE1-812	PLATE, LEVER SETTING	1
021	16956-ZE1-811	SPRING, COCK LEVER	1
022	16957-ZE1-812	PACKING, FUEL COCK	1
023	16967-ZE0-811	CUP, FUEL STRAINER	1
024	93500-030061H	SCREW, PAN, 3X6	2
025	94305-20122	PIN, SPRING, 2X12	1
026	99101-ZH80880	JET, MAIN, #88	(1)
026	99101-ZH80900	JET, MAIN, #90	(1)
026	99101-ZH80950	JET, MAIN, #95	1
027	99204-ZE20380	JET SET, PILOT, #38	1
028	16016-Z1E-V21	SCREW SET	1
029	16959-Z5T-901	FILTER, CUP	1
032	16141-Z0S-003	WASHER, PLAIN (6.2X10.7 DRAIN)	1

GX270T2(QCWE)

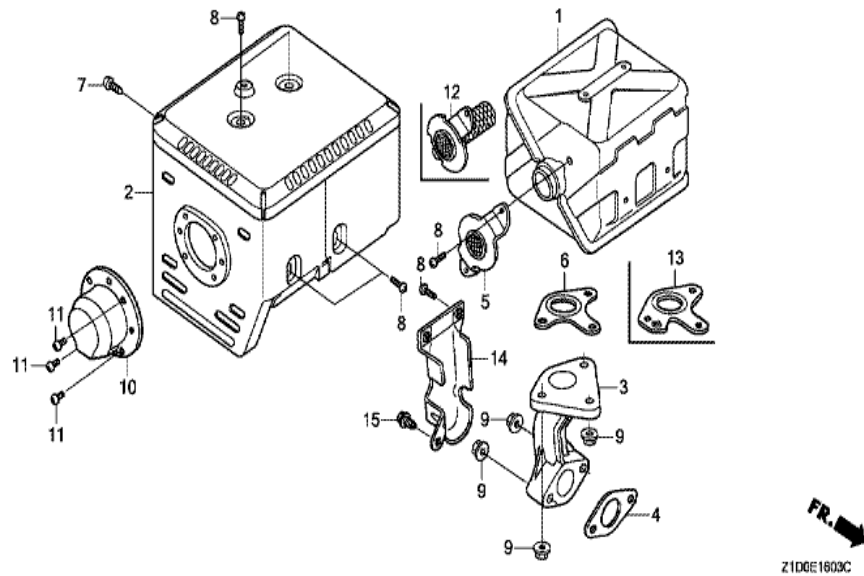
E-15-8 AIR CLEANER (9)



<u>Ref</u>	<u>Partnumber</u>	<u>Description</u>	<u>GX270T2</u>	<u>Serial Numbers</u>
001	17210-Z1C-781	ELEMENT, AIR CLEANER	1	
002	17218-Z1C-780	FILTER, OUTER	1	
003	17230-Z1C-780	COVER ASSY., AIR CLEANER (INCLUDE CYCLON	1	
004	17232-891-000	GROMMET, AIR CLEANER	1	
005	17233-Z1C-780	SEAL, AIR CLEANER COVER	1	
006	17238-ZE2-310	COLLAR, AIR CLEANER	2	
007	17239-ZE3-840	COLLAR B, AIR CLEANER	1	
008	17410-Z1C-780	ELBOW COMP., AIR CLEANER	1	
009	17417-Z5T-000	PACKING, AIR CLEANER CASE	1	
010	90009-Z1C-000	BOLT-WASHER, 6X22	1	
011	90300-Z4M-800	NUT, AIR CLEANER	1	
012	90325-044-000	NUT, TOOL BOX SETTING	1	
013	94050-06000	NUT, FLANGE, 6MM	2	

GX270T2(QCWE)

E-16-3 MUFFLER (4)

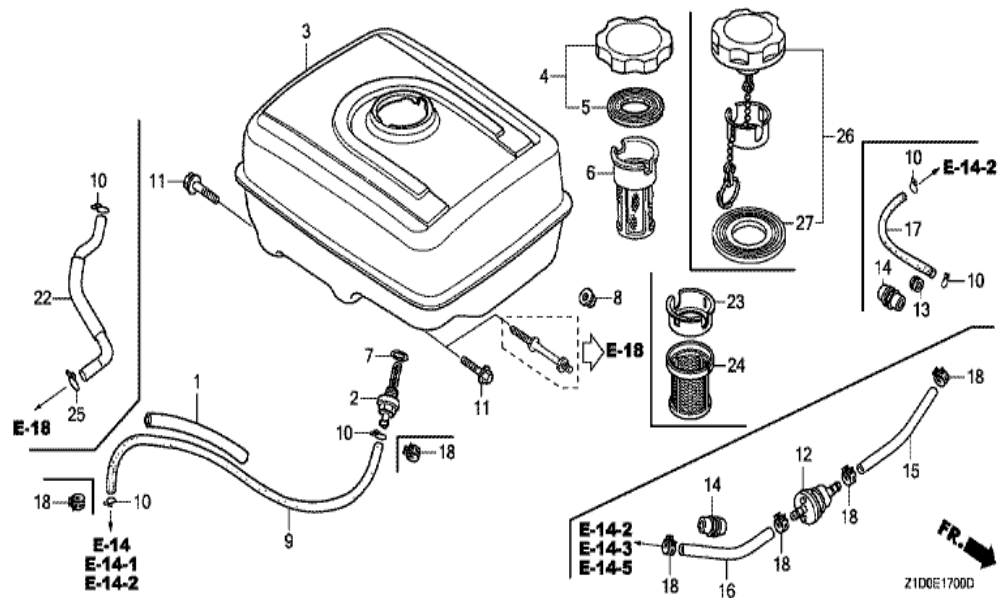


Z1DGE1603C

<u>Ref</u>	<u>Partnumber</u>	<u>Description</u>	<u>GX270T2</u>	<u>Serial Numbers</u>
001	18310-Z5K-010	MUFFLER COMP.	1	
002	18320-Z5K-000	PROTECTOR COMP., MUFFLER	1	
003	18331-Z5T-000	PIPE, EX.	1	
004	18333-Z1C-801	GASKET, EX. PIPE	1	
005	18336-ZE3-000	FLANGE COMP., BAFFLE	1	
006	18381-Z1C-801	GASKET, MUFFLER (THAI LEAKLESS)	1	
006	18381-ZE2-801	GASKET, MUFFLER (NIPPON LEAKLESS)	1	
007	90006-ZE2-000	SCREW, TAPPING, 6X10	1	
008	90050-ZE1-000	SCREW, TAPPING, 5X8	6	
009	94050-08000	NUT, FLANGE, 8MM	5	

GX270T2(QCWE)

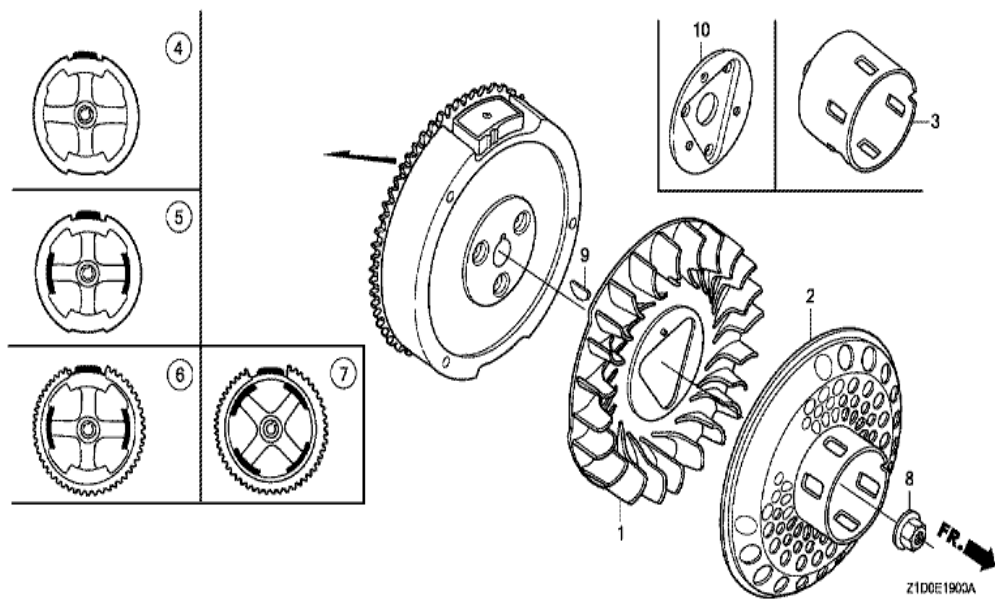
E-17 FUEL TANK (1)



<u>Ref</u>	<u>Partnumber</u>	<u>Description</u>	<u>GX270T2</u>	<u>Serial Numbers</u>
001	16854-ZH8-000	RUBBER, SUPPORTER (107MM)	1	
002	16955-ZE1-010	JOINT, FUEL TANK	1	
003	17510-Z5K-000ZB	TANK COMP., FUEL *NH31*	1	
004	17620-Z0T-813	CAP COMP., FUEL FILLER (CHROME PLATED) (	1	
004	17620-Z1T-800	CAP COMP., FUEL FILLER (CHROME PLATED) (	1	
005	17631-Z0T-801	PACKING, FUEL FILLER CAP (39X62X3) (RADI	1	
005	17631-Z1T-800	PACKING, FUEL FILLER CAP (39X62X3) (TOYO	1	
007	91353-671-004	O-RING, 14MM (NOK)	1	
008	94050-08000	NUT, FLANGE, 8MM	2	
009	95001-4521040	TUBE, FUEL, 4.5X210 (95001-45001-60M)	1	
010	95002-02080	CLIP, TUBE (B8)	2	
011	95701-0802500	BOLT, FLANGE, 8X25	2	

GX270T2(QCWE)

E-19 FLYWHEEL

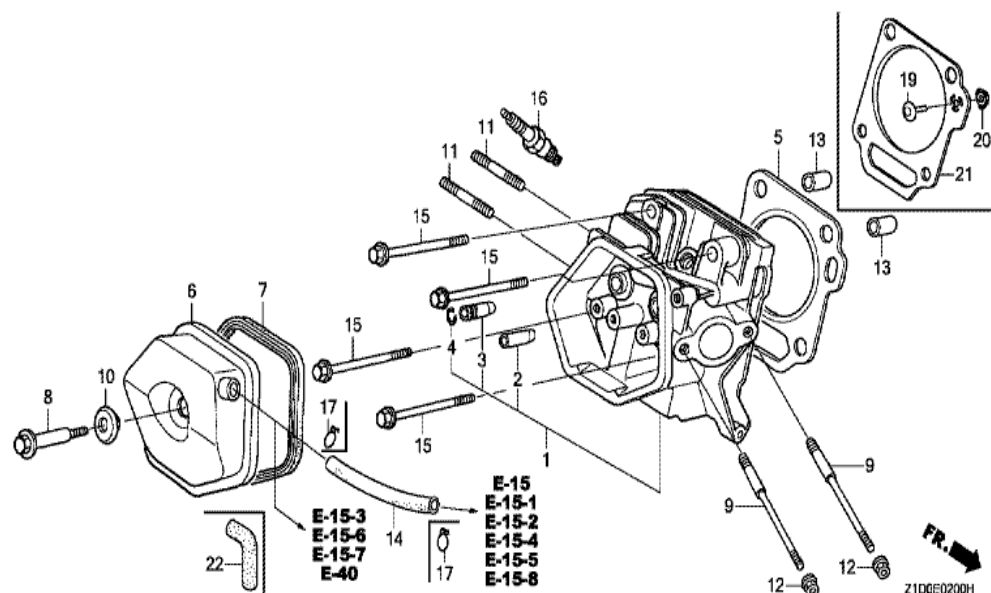


<u>Ref</u>	<u>Partnumber</u>	<u>Description</u>	<u>GX270T2</u>	<u>Serial Numbers</u>
001	19511-ZE2-000	FAN, COOLING	1	
003	28451-ZE2-W01	PULLEY, STARTER	1	
004	31110-Z5K-000	FLYWHEEL COMP.	1	
008	90201-ZE3-V00	NUT, SPECIAL, 16MM	1	
009	90741-ZE2-000	KEY, SPECIAL WOODRUFF, 25X18	1	



GX270T2(QCWE)

E-2 CYLINDER HEAD

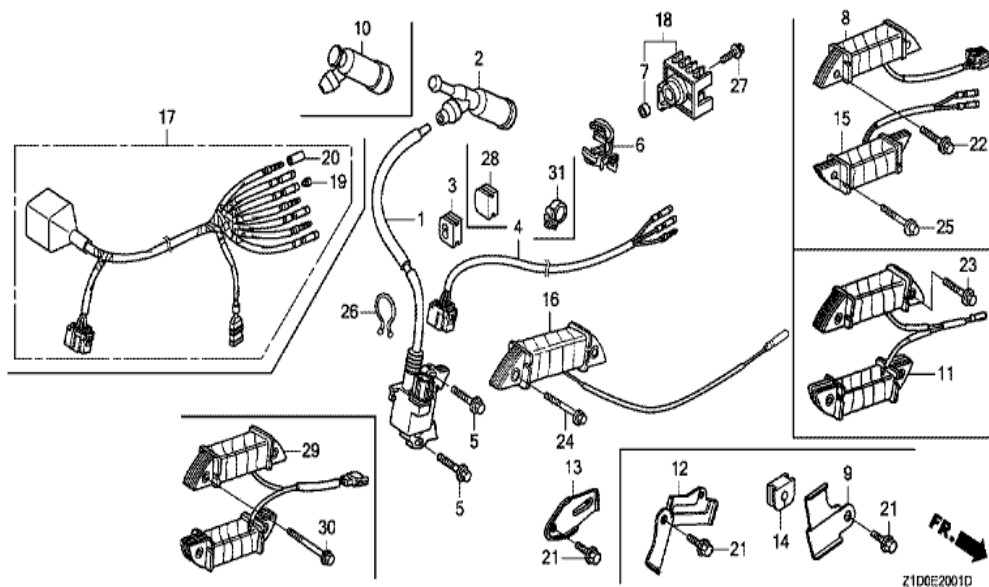


<u>Ref</u>	<u>Partnumber</u>	<u>Description</u>	<u>GX270T2</u>	<u>Serial Numbers</u>
001	12210-Z5K-405	HEAD COMP., CYLINDER	1	
001	12210-Z5K-415	HEAD COMP., CYLINDER	1	
002	12204-ZE2-306	GUIDE, IN. VALVE (O.S.)	1	
003	12205-ZE2-305	GUIDE, EX. VALVE (O.S.)	1	
004	12216-ZE2-300	CLIP, VALVE GUIDE	1	
005	12251-Z5K-003	GASKET, CYLINDER HEAD	1	
006	12310-ZE3-791	COVER COMP., HEAD (BREATHER TUBE JOINT)	1	
007	12391-ZE2-020	PACKING, HEAD COVER	1	
008	90014-Z5T-000	BOLT, HEAD COVER	1	
009	90042-ZE2-000	BOLT, STUD, 8X123	2	
010	90441-ZE2-010	WASHER COMP., HEAD COVER	1	
011	92900-080320E	BOLT, STUD, 8X32	2	
013	94301-12200	DOWEL PIN, 12X20	2	
<u>Ref</u>	<u>Partnumber</u>	<u>Description</u>	<u>GX270T2</u>	<u>Serial Numbers</u>
014	12315-ZE3-840	TUBE, BREATHER	1	
015	95701-1008000	BOLT, FLANGE, 10X80	4	
016	98079-55846	PLUG, SPARK (BPR5ES) (NGK)	(1)	
016	98079-55855	PLUG, SPARK (W16EPR-U) (DENSO)	(1)	
016	98079-55876	PLUG, SPARK (BPR5ES) (NGK)	(1)	

016	98079-56876	PLUG, SPARK (BPR6ES) (NGK)	1
017	17316-611-000	CLIP, BREATHER TUBE	2

GX270T2(QCWE)

E-20-1 IGNITION COIL (2)

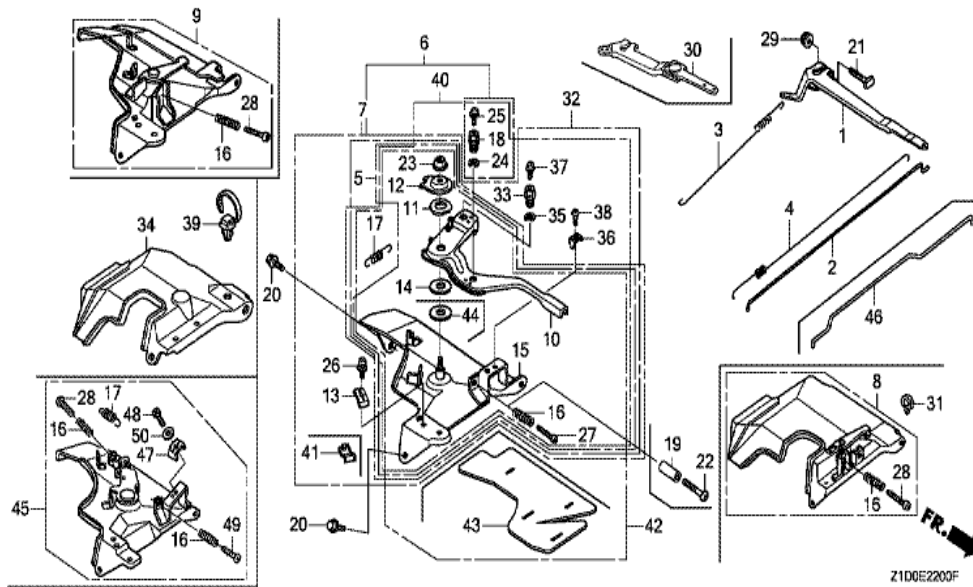


Z1D0E2001D

<u>Ref</u>	<u>Partnumber</u>	<u>Description</u>	<u>GX270T2</u>	<u>Serial Numbers</u>
001	30500-Z5K-003	COIL ASSY., IGNITION	1	
002	30700-Z1C-813	CAP ASSY., NOISE SUPPRESSOR (NGK Y-EZD)	1	
003	31512-ZE2-000	GROMMET, CORD	1	
004	32110-Z5K-000	HARNESS ASSY., ENGINE WIRE	1	
005	90015-883-000	BOLT, FLANGE, 6X28 (CT200)	2	
006	90684-ZA0-601	CLIP, HARNESS	1	

GX270T2(QCWE)

E-22 CONTROL (1)



Z100E2200F

<u>Ref</u>	<u>Partnumber</u>	<u>Description</u>	<u>GX270T2</u>	<u>Serial Numbers</u>
001	16551-ZE2-000	ARM, GOVERNOR	1	
002	16555-ZE2-000	ROD, GOVERNOR	1	
003	16561-ZE2-000	SPRING, GOVERNOR (L=145.0MM) (WIRE DIAME	1	
004	16562-Z1D-780	SPRING, THROTTLE RETURN	1	
007	16500-Z1D-780	CONTROL ASSY. (CYCLONE-REMOTE)	1	
010	16571-ZE2-W00	LEVER, CONTROL	1	
011	16574-ZE1-000	SPRING, LEVER	1	
012	16575-ZE2-W00	WASHER, CONTROL LEVER	1	
014	16578-ZE1-000	SPACER, CONTROL LEVER	1	
015	16580-Z1D-780	BASE COMP., CONTROL (CYCLONE)	1	
016	16584-883-300	SPRING, CONTROL ADJUSTING	1	
017	16592-883-310	SPRING, CABLE RETURN	1	
020	90013-883-000	BOLT, FLANGE, 6X12 (CT200)	2	
<u>Ref</u>	<u>Partnumber</u>	<u>Description</u>	<u>GX270T2</u>	<u>Serial Numbers</u>
021	90015-Z5T-000	BOLT, GOVERNOR ARM	1	
023	90114-SA0-000	NUT, SELF-LOCK, 6MM	1	
026	93500-050160A	SCREW, PAN, 5X16	1	
027	93500-050280A	SCREW, PAN, 5X28	1	
029	94050-06000	NUT, FLANGE, 6MM	1	

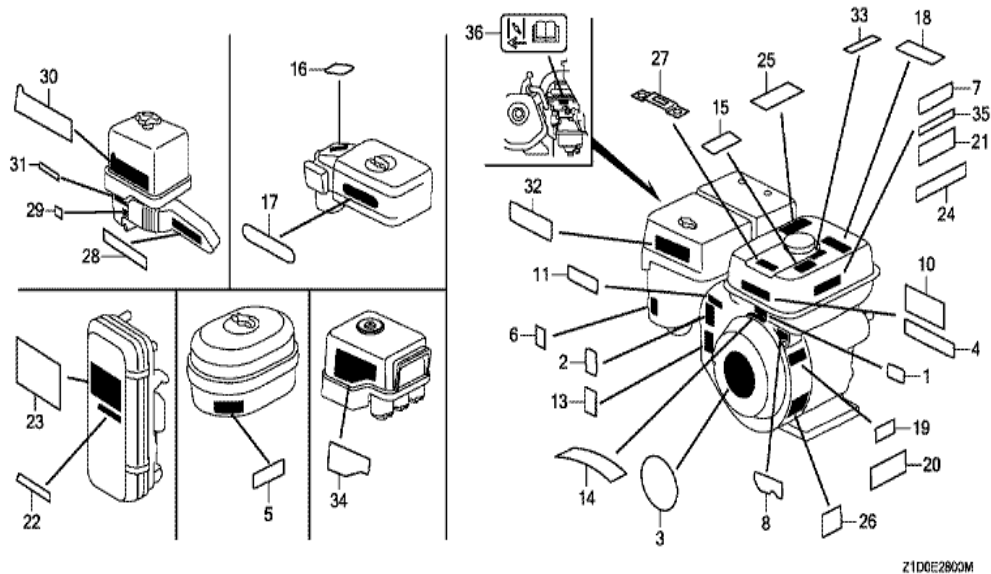
041 16582-Z1D-780

HOLDER, CONTROL CABLE

1

GX270T2(QCWE)

E-28 LABEL

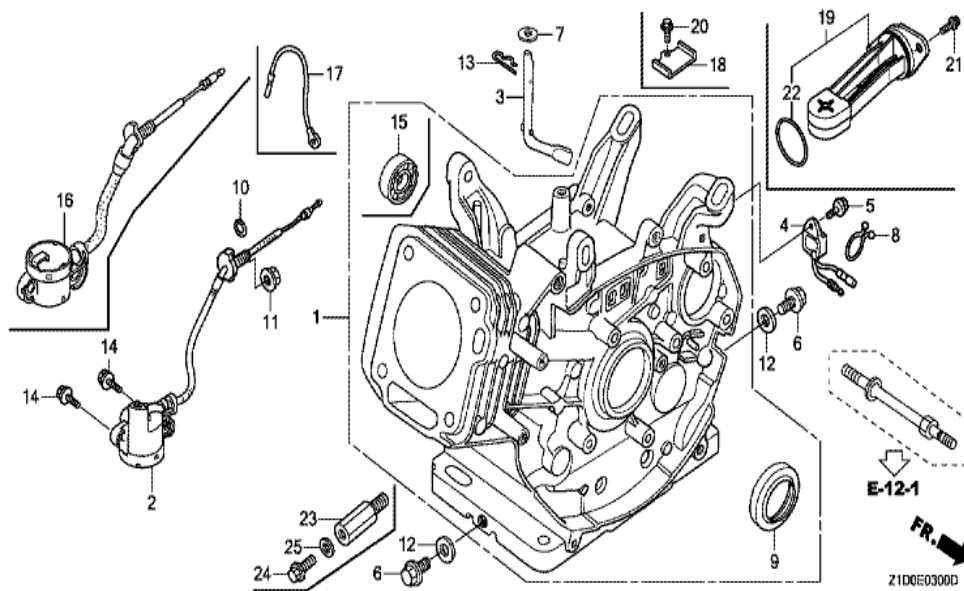


Z1D0E2800M

<u>Ref</u>	<u>Partnumber</u>	<u>Description</u>	<u>GX270T2</u>	<u>Serial Numbers</u>
003	87521-Z5K-000	EMBLEM (GX270)	1	
006	87528-Z4M-000	MARK, CHOKE	1	
011	87532-ZH7-000	MARK, THROTTLE INDICATION	1	
013	87114-ZH7-000	LABEL, WARNING (NOT CERTIFIED FOR SALE)	1	
018	87532-ZH8-810	MARK, OIL ALERT (ENGLISH)	1	
024	87522-Z0T-800	LABEL, CAUTION	1	
033	87532-ZK7-800	MARK, OIL ALERT	1	
034	87602-Z1C-780	MARK, SALES POINT	1	
035	87522-ZK7-800	LABEL, CAUTION (BRAZIL)	1	

GX270T2(QCWE)

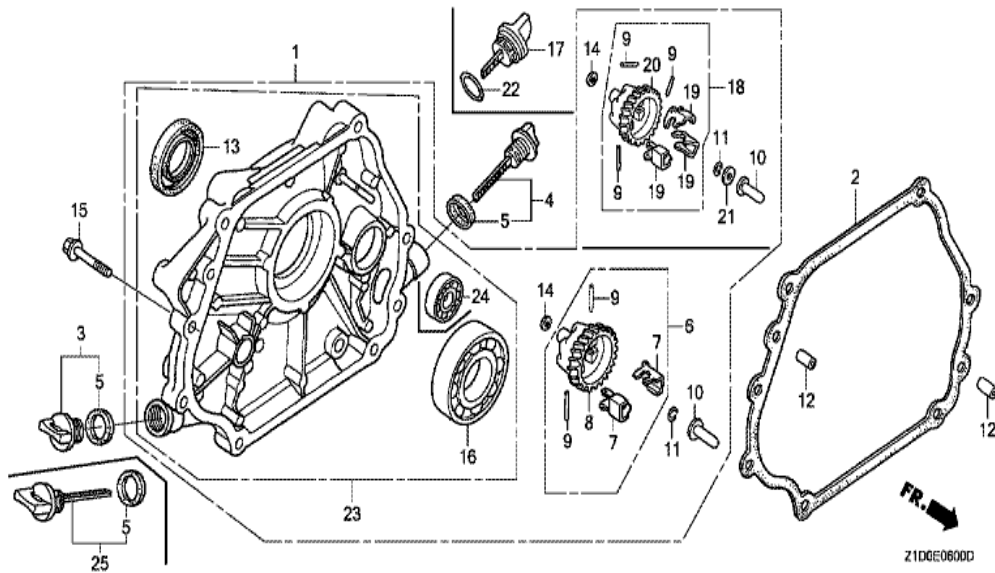
E-3 CYLINDER BARREL



<u>Ref</u>	<u>Partnumber</u>	<u>Description</u>	<u>GX270T2</u>	<u>Serial Numbers</u>
001	12000-Z5K-406	BARREL ASSY., CYLINDER	1	
003	16541-ZE2-010	SHAFT, GOVERNOR ARM	1	
006	90131-883-000	BOLT, DRAIN PLUG, 12X15	2	
007	90446-KE1-000	WASHER, 8.2X17X0.8	1	
009	91201-Z1D-003	OIL SEAL, 30X46X8 (NOK ASIA)	1	
009	91201-Z7B-003	OIL SEAL, 30X46X8	1	
010	91353-671-004	O-RING, 14MM (NOK)	1	
011	94050-10000	NUT, FLANGE, 10MM	1	
012	94109-12000	WASHER, DRAIN PLUG, 12MM	2	
013	94251-10000	PIN, LOCK, 10MM	1	
014	95701-0601200	BOLT, FLANGE, 6X12	2	
016	35480-ZF6-003	SWITCH ASSY., OIL LEVEL	1	

GX270T2(QCWE)

E-6 CRANKCASE COVER (1)

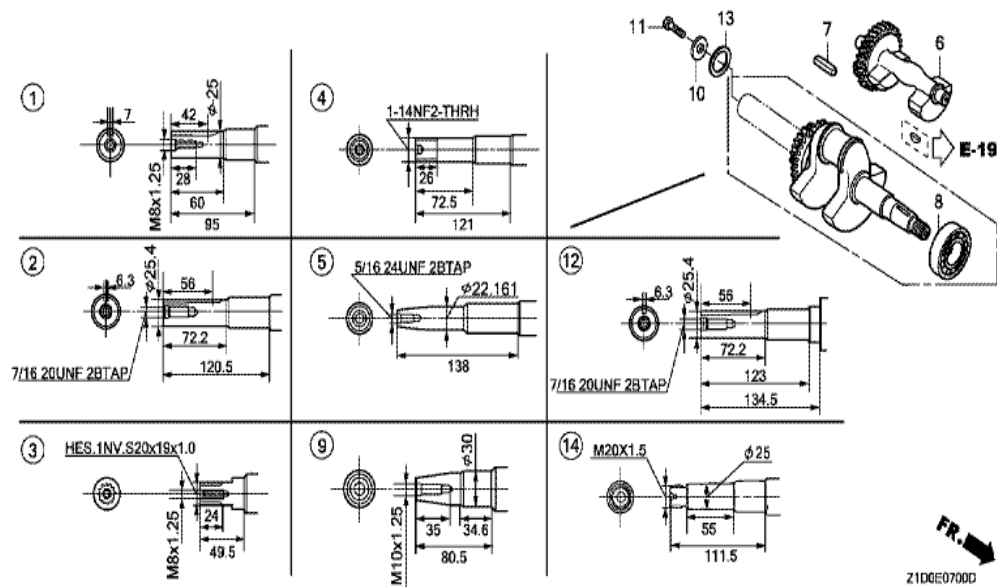


<u>Ref</u>	<u>Partnumber</u>	<u>Description</u>	<u>GX270T2</u>	<u>Serial Numbers</u>
001	11300-Z1D-600	COVER ASSY., CRANKCASE	1	
002	11381-Z5K-000	PACKING, CASE COVER	1	
003	15600-Z0T-820	CAP ASSY., OIL FILLER (BLACK)	1	
004	15600-Z1C-000	CAP ASSY., OIL FILLER	1	
005	15625-Z0T-800	PACKING, OIL FILLER CAP	2	
006	16510-ZE2-000	GOVERNOR ASSY.	1	
007	16511-ZE2-000	WEIGHT, GOVERNOR	2	
008	16512-ZE2-000	HOLDER, GOVERNOR WEIGHT	1	
009	16513-ZE2-000	PIN, GOVERNOR WEIGHT	2	
010	16531-Z0A-000	SLIDER, GOVERNOR	1	
011	90602-ZE1-000	CLIP, GOVERNOR HOLDER	1	
012	90701-HC4-000	DOWEL PIN, 8X12	2	
013	91201-Z1D-003	OIL SEAL, 30X46X8 (NOK ASIA)	1	
<u>Ref</u>	<u>Partnumber</u>	<u>Description</u>	<u>GX270T2</u>	<u>Serial Numbers</u>
014	94101-06800	WASHER, PLAIN, 6MM	1	
015	95701-0803500	BOLT, FLANGE, 8X35	7	
016	96100-6206000	BEARING, RADIAL BALL, 6206	1	



GX270T2(QCWE)

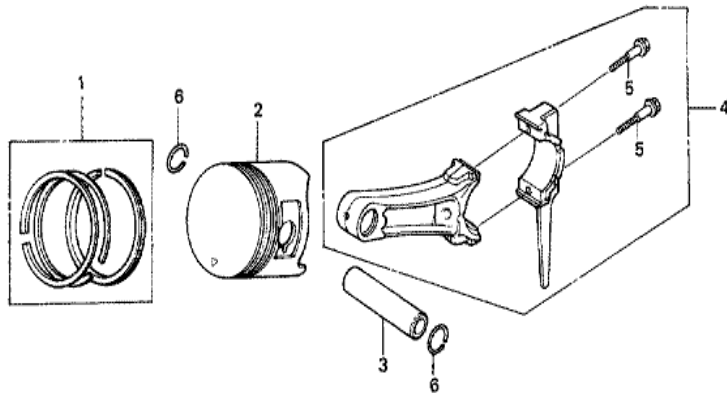
E-7 CRANKSHAFT



<u>Ref</u>	<u>Partnumber</u>	<u>Description</u>	<u>GX270T2</u>	<u>Serial Numbers</u>
002	13310-ZH9-601	CRANKSHAFT COMP.	1	
007	90745-ZE2-600	KEY, 6.3X6.3X43	1	
008	91001-ZH9-003	BEARING, RADIAL BALL (6206 SH)	1	

GX270T2(QCWE)

E-8 PISTON



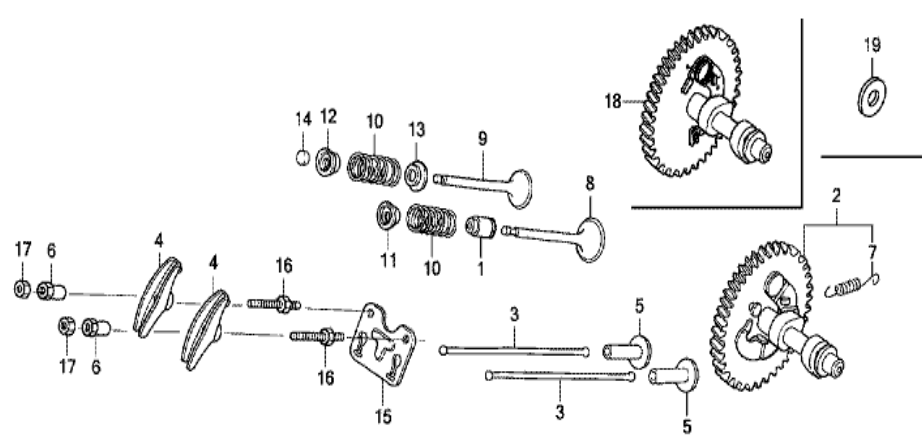
Z1D0-E0800



<u>Ref</u>	<u>Partnumber</u>	<u>Description</u>	<u>GX270T2</u>	<u>Serial Numbers</u>
001	13010-Z5K-004	RING SET, PISTON (STD.) (TEIKOKU)	1	
001	13011-Z5K-004	RING SET, PISTON (0.25) (TEIKOKU)	(1)	
001	13012-Z5K-004	RING SET, PISTON (0.50) (TEIKOKU)	(1)	
001	13013-Z5K-004	RING SET, PISTON (0.75) (TEIKOKU)	(1)	
002	13101-Z1D-900	PISTON (STD.)	1	
002	13102-Z5K-000	PISTON (0.25)	(1)	
002	13103-Z5K-000	PISTON (0.50)	(1)	
002	13104-Z5K-000	PISTON (0.75)	(1)	
003	13111-Z5K-000	PIN, PISTON	1	
004	13200-Z1D-305	ROD ASSY., CONNECTING (0.25 UNDER SIZE)	(1)	
004	13200-Z1D-900	ROD ASSY., CONNECTING (STD.)	1	
005	90001-ZE8-000	BOLT, CONNECTING ROD	2	
006	90551-ZE1-000	CLIP, PISTON PIN, 18MM	2	

GX270T2(QCWE)

E-9 CAMSHAFT



FR. →  
Z1D0E0900B

<u>Ref</u>	<u>Partnumber</u>	<u>Description</u>	<u>GX270T2</u>	<u>Serial Numbers</u>
001	12209-ZE8-003	SEAL, VALVE STEM	1	
003	14410-Z1D-000	ROD, PUSH	2	
004	14431-ZE2-010	ARM, VALVE ROCKER	2	
005	14441-ZE2-000	LIFTER, VALVE	2	
006	14451-Z4M-000	PIVOT, ROCKER ARM	2	
008	14711-Z5K-900	VALVE, IN.	1	
009	14721-Z5K-900	VALVE, EX.	1	
010	14751-Z1C-000	SPRING, VALVE	2	
012	14771-Z8S-000	RETAINER, IN. VALVE SPRING	1	
013	14775-ZE2-010	SEAT, VALVE SPRING	1	
015	14791-Z1D-000	GUIDE, PUSH ROD	1	
016	90012-ZE0-010	BOLT, PIVOT, 8MM	2	
017	90206-ZE1-000	NUT, PIVOT ADJUSTING	2	
<u>Ref</u>	<u>Partnumber</u>	<u>Description</u>	<u>GX270T2</u>	<u>Serial Numbers</u>
018	14100-Z5K-910	CAMSHAFT COMP. (STD.) (PRESS FIT CAM)	1	