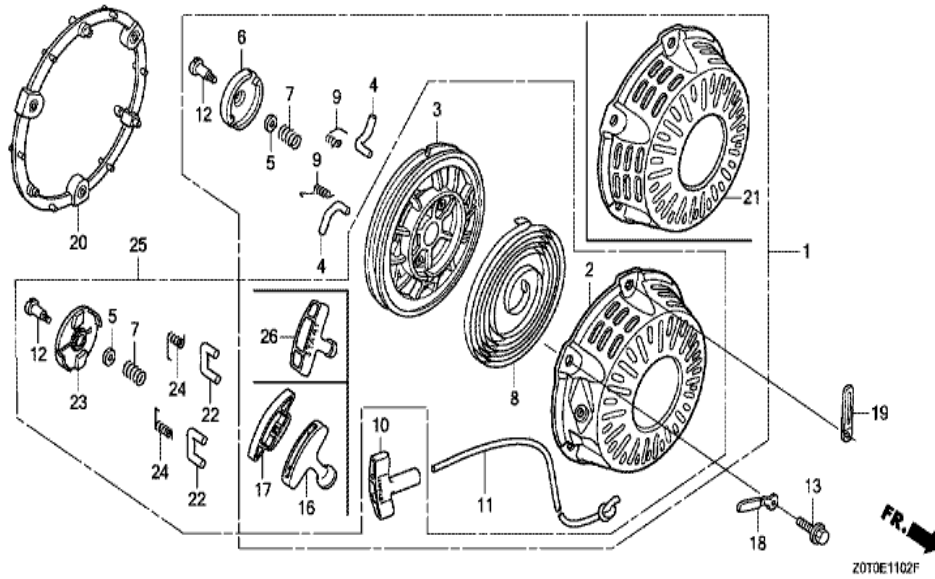


GX160T2(QCWE)

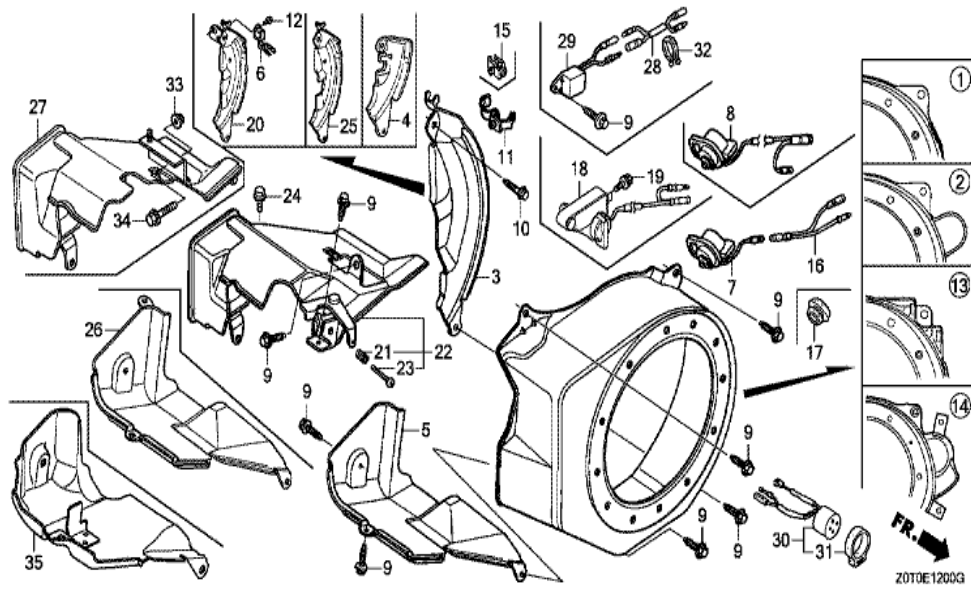
E-11-2 RECOIL STARTER (3)



<u>Ref</u>	<u>Partnumber</u>	<u>Description</u>	<u>GX160T2</u>	<u>Serial Numbers</u>
002	28410-Z4M-003ZB	CASE COMP., RECOIL STARTER *R280*	1	
003	28421-Z1T-702	REEL, RECOIL STARTER (BLACK)	1	
003	28421-Z1T-702	REEL, RECOIL STARTER (BLACK)	1	
005	28431-ZH8-801	PLATE, FRICTION	1	
007	28441-ZH8-801	SPRING, FRICTION	1	
008	28442-ZH8-003	SPRING, RECOIL STARTER	1	
011	28462-ZH8-003	ROPE, RECOIL STARTER	1	
012	90003-ZH8-801	SCREW, SETTING	1	
013	95701-0600800	BOLT, FLANGE, 6X8	3	
016	28461-Z4M-003	KNOB, RECOIL STARTER	1	
017	28463-Z4M-003	KNOB, REINFORCEMENT	1	
022	28422-Z1T-701	RATCHET, STARTER	2	
023	28433-Z1T-702	GUIDE, RATCHET	1	
<u>Ref</u>	<u>Partnumber</u>	<u>Description</u>	<u>GX160T2</u>	<u>Serial Numbers</u>
024	28443-Z1T-701	SPRING, RETURN	2	
025	28400-Z4M-801ZB	STARTER ASSY., RECOIL *R280*	1	

GX160T2(QCWE)

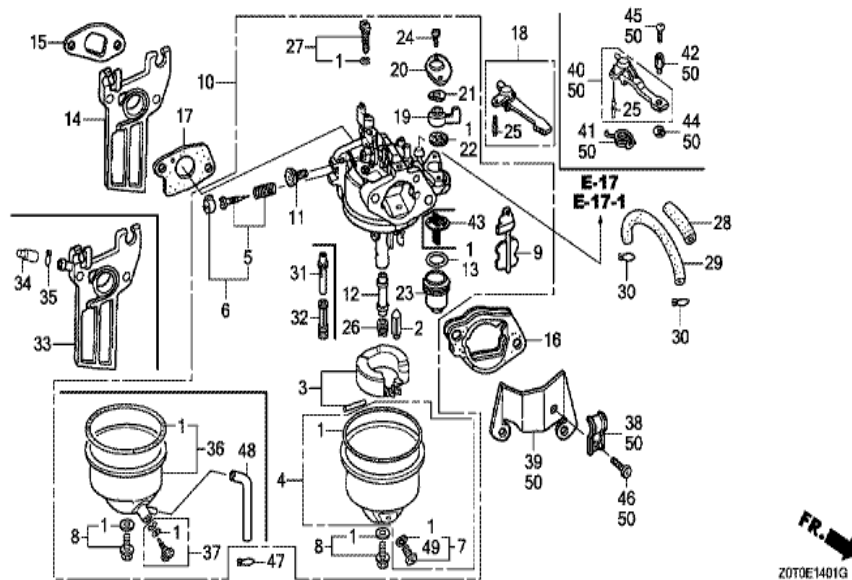
E-12 FAN COVER (1)



<u>Ref</u>	<u>Partnumber</u>	<u>Description</u>	<u>GX160T2</u>	<u>Serial Numbers</u>
001	19610-Z4M-000ZA	COVER COMP., FAN *R280*	1	
005	19630-Z4M-010	SHROUD COMP.	1	
005	19630-Z4M-010	SHROUD COMP.	1	
006	34150-ZH7-023	ALERT UNIT, OIL	1	
008	35120-Z0T-831	SWITCH ASSY., ENGINE STOP (TOYO DENSO)	1	
008	35120-Z0T-832	SWITCH ASSY., ENGINE STOP (MINDA)	1	
009	90013-883-000	BOLT, FLANGE, 6X12 (CT200)	6	
010	90022-888-010	BOLT, FLANGE, 6X20 (CT200)	1	
011	90601-ZH7-013	CLIP, HARNESS	1	
012	95701-0600800	BOLT, FLANGE, 6X8	1	
020	19611-Z4M-810	PLATE COMP., SIDE (OIL ALERT)	1	

GX160T2(QCWE)

E-14-1 CARBURETOR (2)



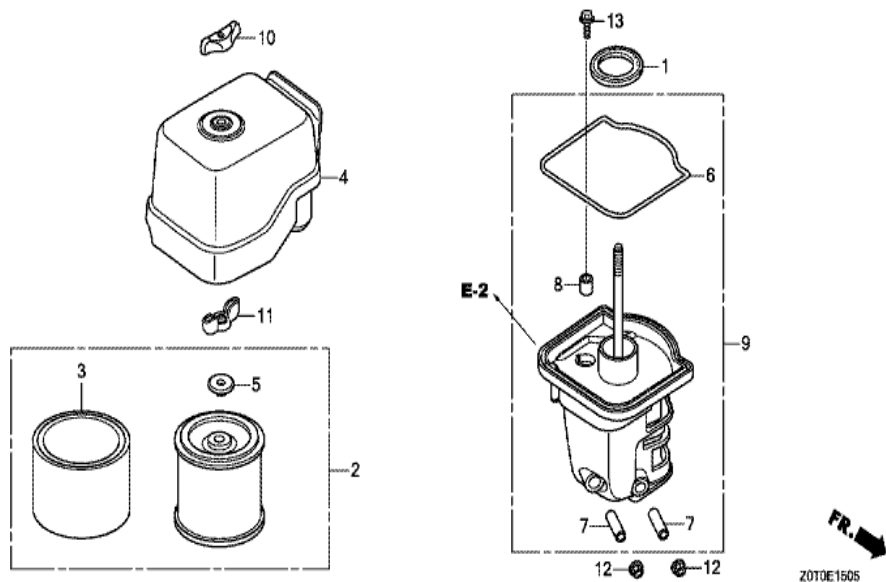
Z0T0E1401G

<u>Ref</u>	<u>Partnumber</u>	<u>Description</u>	<u>GX160T2</u>	<u>Serial Numbers</u>
001	16010-ZE1-812	GASKET SET	1	
002	16011-ZE0-005	VALVE SET, FLOAT	1	
003	16013-Z0S-B01	FLOAT SET	1	
004	16015-Z4M-911	CHAMBER SET, FLOAT	1	
006	16016-ZH7-W01	SCREW SET, PILOT	1	BE54D A
007	16024-Z5T-901	SCREW SET, DRAIN	1	
008	16028-Z5T-901	SCREW SET	1	
009	16044-Z4M-911	CHOKE SET	1	
010	16100-Z4M-781	CARBURETOR ASSY. (BEA4Z A)	1	
011	16124-ZE0-005	SCREW, THROTTLE STOP	1	
012	16166-Z4M-781	NOZZLE, MAIN	1	
013	16173-001-004	O-RING	1	
014	16211-Z4M-000	INSULATOR, CARBURETOR	1	
<u>Ref</u>	<u>Partnumber</u>	<u>Description</u>	<u>GX160T2</u>	<u>Serial Numbers</u>
015	16212-ZH8-800	PACKING, INSULATOR	1	
016	16220-ZE1-020	SPACER COMP., CARBURETOR	1	
017	16221-ZH8-801	PACKING, CARBURETOR	1	
018	16610-ZE1-000	LEVER COMP., CHOKE (STD.)	1	
019	16953-ZE1-812	LEVER, COCK	1	

020	16954-ZE1-812	PLATE, LEVER SETTING	1
021	16956-ZE1-811	SPRING, COCK LEVER	1
022	16957-ZE1-812	PACKING, FUEL COCK	1
023	16967-ZE0-811	CUP, FUEL STRAINER	1
024	93500-030061H	SCREW, PAN, 3X6	2
025	94305-20122	PIN, SPRING, 2X12	1
026	99101-ZH80680	JET, MAIN, #68	(1)
026	99101-ZH80700	JET, MAIN, #70	(1)
026	99101-ZH80720	JET, MAIN, #72	1
027	99204-ZE20400	JET SET, PILOT, #40	1
043	16959-Z5T-901	FILTER, CUP	1
049	16141-Z0S-003	WASHER, PLAIN (6.2X10.7 DRAIN)	1

GX160T2(QCWE)

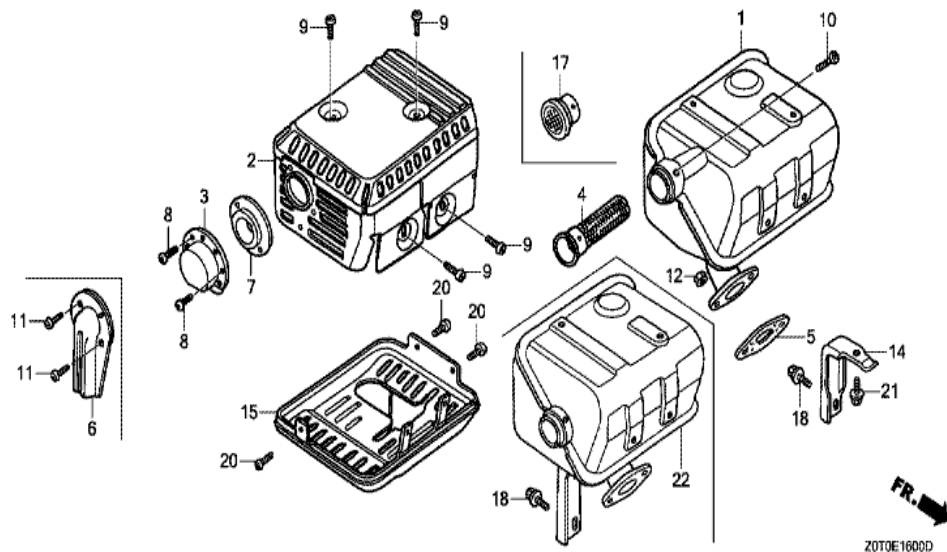
E-15-5 AIR CLEANER (6)



<u>Ref</u>	<u>Partnumber</u>	<u>Description</u>	<u>GX160T2</u>	<u>Serial Numbers</u>
001	16271-ZE1-000	PACKING, ELBOW	1	
002	17210-Z0V-781	ELEMENT, AIR CLEANER	1	
003	17218-Z0V-780	FILTER, OUTER	1	
004	17230-Z0V-780	COVER ASSY., AIR CLEANER	1	
005	17232-891-000	GROMMET, AIR CLEANER	1	
006	17233-Z0V-780	SEAL, AIR CLEANER COVER	1	
007	17238-ZE7-010	COLLAR, AIR CLEANER	2	
008	17239-ZE3-840	COLLAR B, AIR CLEANER	1	
009	17410-Z0V-780	ELBOW COMP., AIR CLEANER	1	
010	90300-Z4M-800	NUT, AIR CLEANER	1	
011	90325-044-000	NUT, TOOL BOX SETTING	1	
012	94050-06000	NUT, FLANGE, 6MM	2	
013	95701-0602000	BOLT, FLANGE, 6X20	1	

GX160T2(QCWE)

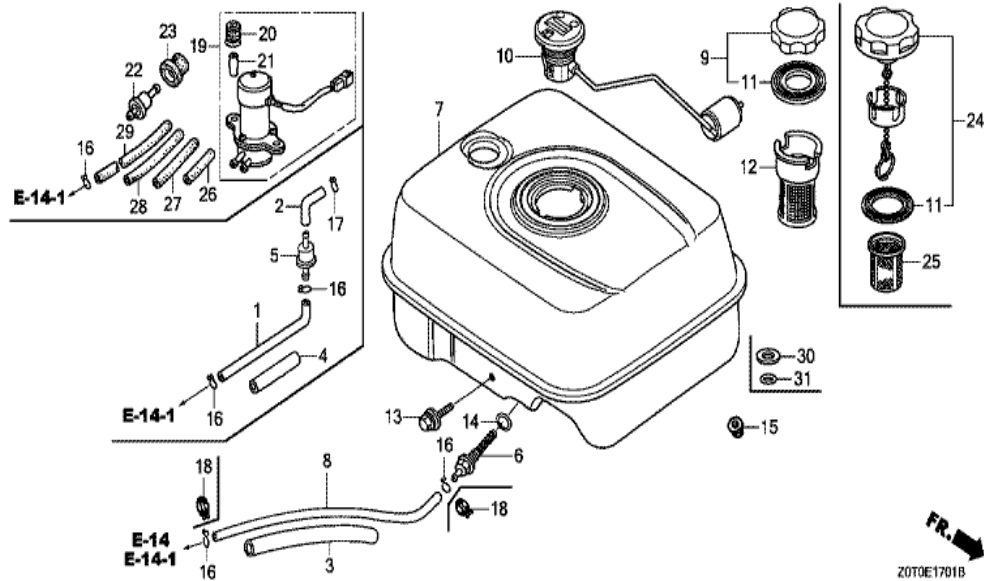
E-16 MUFFLER (1)



<u>Ref</u>	<u>Partnumber</u>	<u>Description</u>	<u>GX160T2</u>	<u>Serial Numbers</u>
002	18320-Z4V-000	PROTECTOR COMP., MUFFLER	1	
005	18381-Z0T-801	GASKET, MUFFLER	1	
009	90050-ZE1-000	SCREW, TAPPING, 5X8	4	
012	94001-080000S	NUT, HEX., 8MM	2	
018	90016-ZE1-000	BOLT, FLANGE, 6X13 (CT200)	1	
022	18310-Z4V-010	MUFFLER COMP.	1	

GX160T2(QCWE)

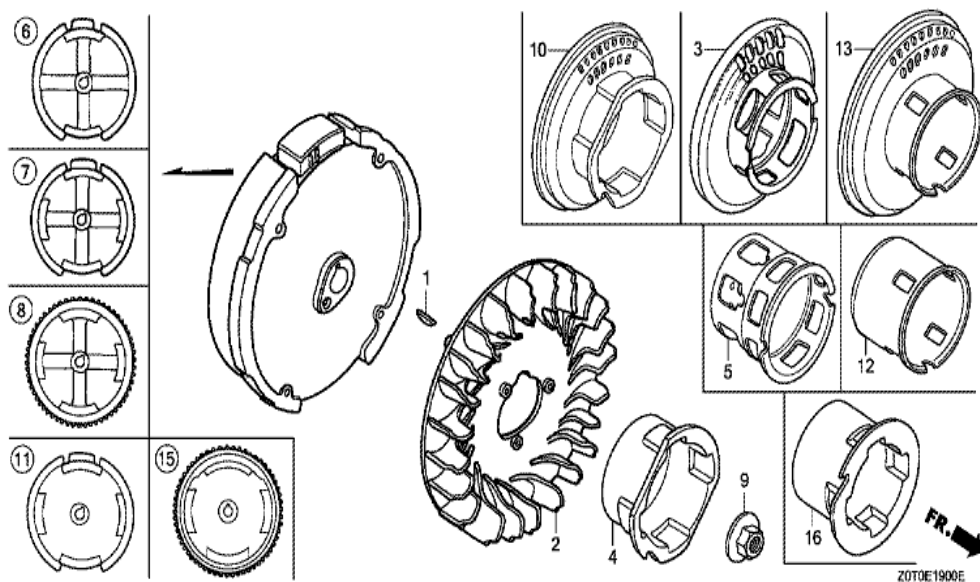
E-17-1 FUEL TANK (2)



Ref	Partnumber	Description	GX160T2	Serial Numbers
003	16854-ZH8-000	RUBBER, SUPPORTER (107MM)	1	
006	16955-ZE1-010	JOINT, FUEL TANK	1	
007	17510-Z4M-000ZA	TANK COMP., FUEL *NH31*	1	
008	95001-4514540	TUBE, FUEL, 4.5X145 (95001-45001-60M)	1	
009	17620-Z0T-813	CAP COMP., FUEL FILLER (CHROME PLATED) (1	
009	17620-Z1T-800	CAP COMP., FUEL FILLER (CHROME PLATED) (1	
011	17631-Z0T-801	PACKING, FUEL FILLER CAP (39X62X3) (RADI	1	
011	17631-Z1T-800	PACKING, FUEL FILLER CAP (39X62X3) (TOYO	1	
013	90004-ZH7-003	BOLT, FLANGE, 6X29	1	
014	91353-671-004	O-RING, 14MM (NOK)	1	
015	94050-06000	NUT, FLANGE, 6MM	2	
016	95002-02080	CLIP, TUBE (B8)	2	

GX160T2(QCWE)

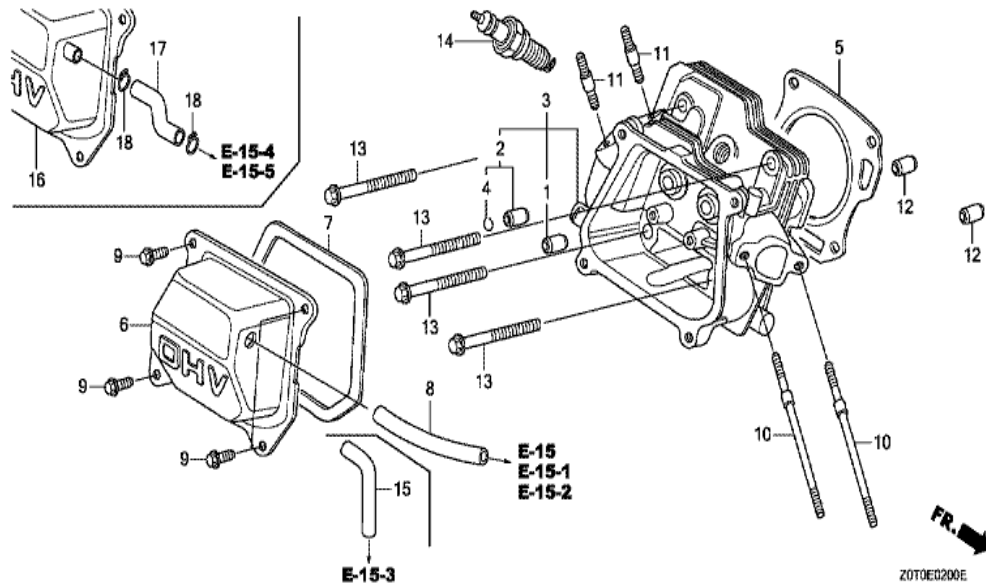
E-19 FLYWHEEL



<u>Ref</u>	<u>Partnumber</u>	<u>Description</u>	<u>GX160T2</u>	<u>Serial Numbers</u>
001	13331-357-000	KEY, SPECIAL WOODRUFF, 25X18	1	
001	13331-Z8B-900	KEY, SPECIAL WOODRUFF, 25X18	1	
002	19511-ZE1-000	FAN, COOLING	1	
006	31110-Z4M-000	FLYWHEEL COMP.	1	
009	90201-Z0T-800	NUT, SPECIAL, 14MM	1	
016	28451-Z4M-003	PULLEY, STARTER	1	

GX160T2(QCWE)

E-2 CYLINDER HEAD

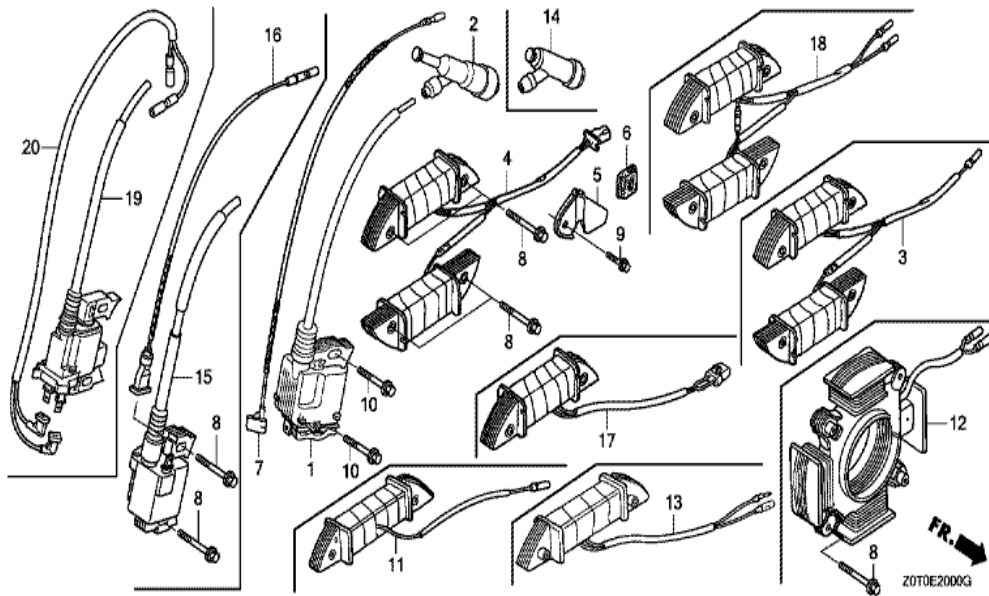


Z0T0E0200E

<u>Ref</u>	<u>Partnumber</u>	<u>Description</u>	<u>GX160T2</u>	<u>Serial Numbers</u>
001	12204-ZE1-306	GUIDE, IN. VALVE (OS)	1	
002	12205-ZE1-315	GUIDE, EX. VALVE (O.S.)	1	
003	12210-Z4M-405	HEAD COMP., CYLINDER	1	
004	12216-ZE5-300	CLIP, VALVE GUIDE	1	
005	12251-ZL0-003	GASKET, CYLINDER HEAD (NIPPON LEAKLESS)	1	
007	12391-ZE1-000	PACKING, HEAD COVER	1	
009	90013-883-000	BOLT, FLANGE, 6X12 (CT200)	4	
010	90043-ZE1-020	BOLT, STUD, 6X112	2	
011	90047-ZE1-000	BOLT, STUD, 8X32	2	
012	94301-10160	DOWEL PIN, 10X16	2	
013	95701-0806000	BOLT, FLANGE, 8X60	4	
014	98079-56855	PLUG, SPARK (W20EPR-U) (DENSO)	1	
014	98079-56876	PLUG, SPARK (BPR6ES) (NGK)	1	
<u>Ref</u>	<u>Partnumber</u>	<u>Description</u>	<u>GX160T2</u>	<u>Serial Numbers</u>
016	12310-Z4M-841	COVER COMP., HEAD	1	
017	15721-ZE1-840	TUBE, BREATHER	1	
018	95002-80000	CLIP, TUBE (C12)	2	

GX160T2(QCWE)

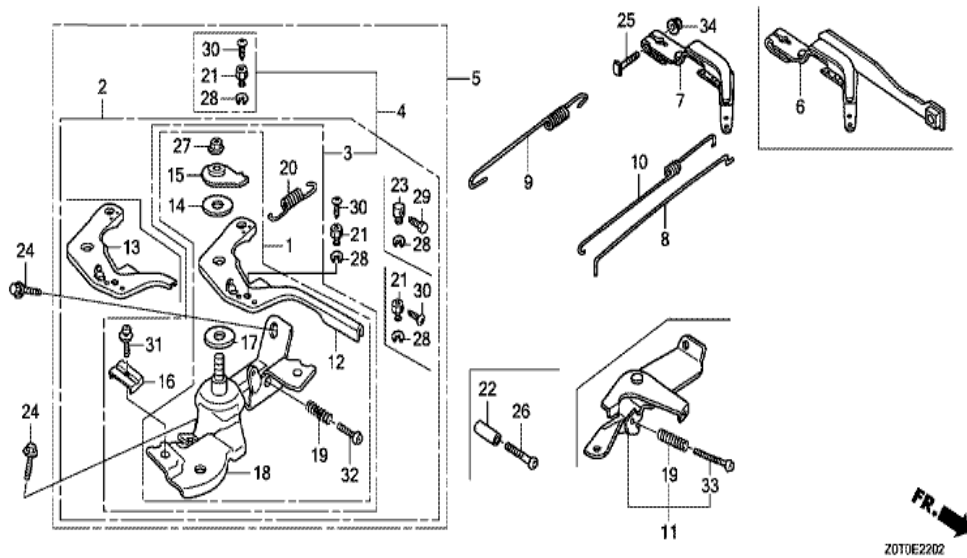
E-20 IGNITION COIL



<u>Ref</u>	<u>Partnumber</u>	<u>Description</u>	<u>GX160T2</u>	<u>Serial Numbers</u>
001	30500-Z0T-003	COIL ASSY., IGNITION (TEC)	1	
002	30700-Z0T-821	CAP ASSY., NOISE SUPPRESSOR (TEC)	1	
007	32195-Z0T-003	CORD, STOP SWITCH (370MM)	1	
010	90121-952-000	BOLT, FLANGE, 6X25 (CT200)	2	

GX160T2(QCWE)

E-22-2 CONTROL (3)



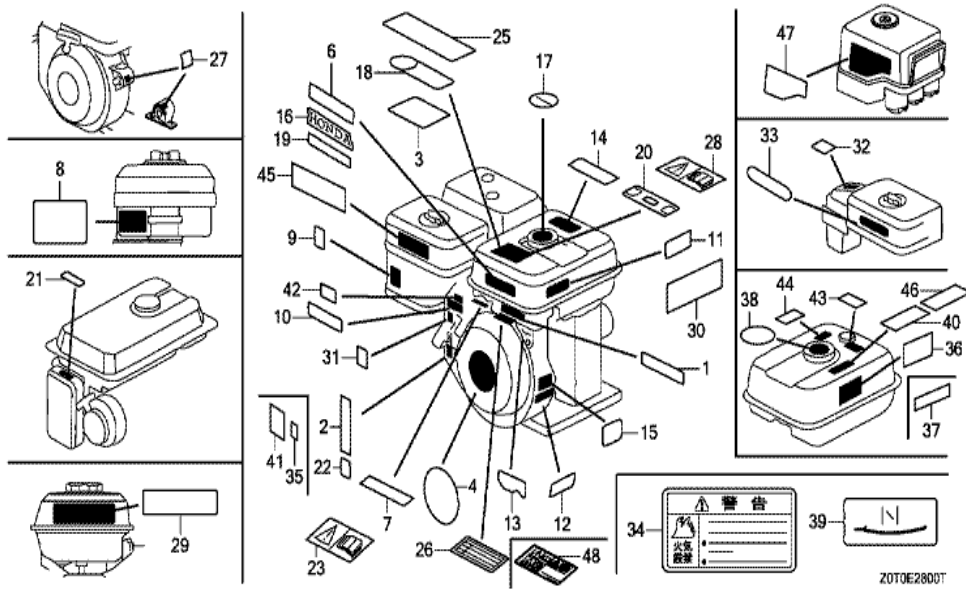
Z0T0E2202

<u>Ref</u>	<u>Partnumber</u>	<u>Description</u>	<u>GX160T2</u>	<u>Serial Numbers</u>
002	16500-Z0V-780	CONTROL ASSY. (CYCLONE-REMOTE)	1	
007	16551-Z4M-000	ARM, GOVERNOR	1	
008	16555-Z4M-000	ROD, GOVERNOR	1	
009	16561-Z4M-010	SPRING, GOVERNOR	1	
010	16562-Z4M-000	SPRING, THROTTLE RETURN	1	
012	16571-Z4M-000	LEVER, CONTROL	1	
014	16574-ZE1-000	SPRING, LEVER	1	
015	16575-ZH8-000	WASHER, CONTROL LEVER	1	
016	16576-891-000	HOLDER, CABLE	1	
017	16578-ZE1-000	SPACER, CONTROL LEVER	1	
018	16580-Z0V-781	BASE COMP., CONTROL	1	
019	16584-883-300	SPRING, CONTROL ADJUSTING	1	
020	16592-ZE1-810	SPRING, CABLE RETURN	1	
<u>Ref</u>	<u>Partnumber</u>	<u>Description</u>	<u>GX160T2</u>	<u>Serial Numbers</u>
021	16594-883-010	HOLDER, WIRE	1	
024	90013-883-000	BOLT, FLANGE, 6X12 (CT200)	2	
025	90015-Z5T-000	BOLT, GOVERNOR ARM	1	
027	90114-SA0-000	NUT, SELF-LOCK, 6MM	1	
028	90605-230-000	CIRCLIP, 5MM	1	

030	93500-040060H	SCREW, PAN, 4X6	1
031	93500-050160A	SCREW, PAN, 5X16	1
032	93500-050250H	SCREW, PAN, 5X25	1
034	94050-06000	NUT, FLANGE, 6MM	1

GX160T2(QCWE)

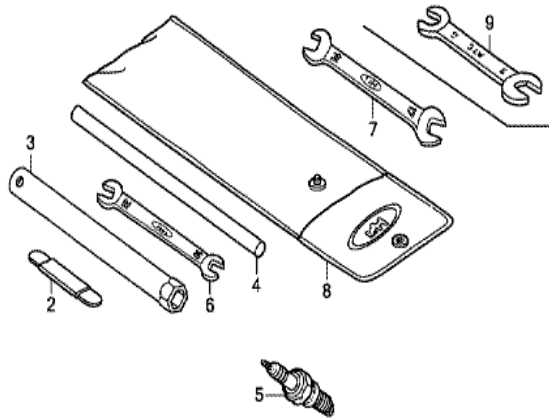
E-28 LABEL (1)



<u>Ref</u>	<u>Partnumber</u>	<u>Description</u>	<u>GX160T2</u>	<u>Serial Numbers</u>
004	87521-Z4M-000	EMBLEM (GX160)	1	
009	87528-Z4M-000	MARK, CHOKE	1	
022	87114-ZH7-000	LABEL, WARNING (NOT CERTIFIED FOR SALE)	1	
036	87522-Z0T-800	LABEL, CAUTION	1	
037	87522-ZK7-800	LABEL, CAUTION (BRAZIL)	1	
040	87532-ZH8-810	MARK, OIL ALERT (ENGLISH)	1	
046	87532-ZK7-800	MARK, OIL ALERT	1	
047	87602-Z0V-780	MARK, SALES POINT	1	

GX160T2(QCWE)

E-29 TOOL

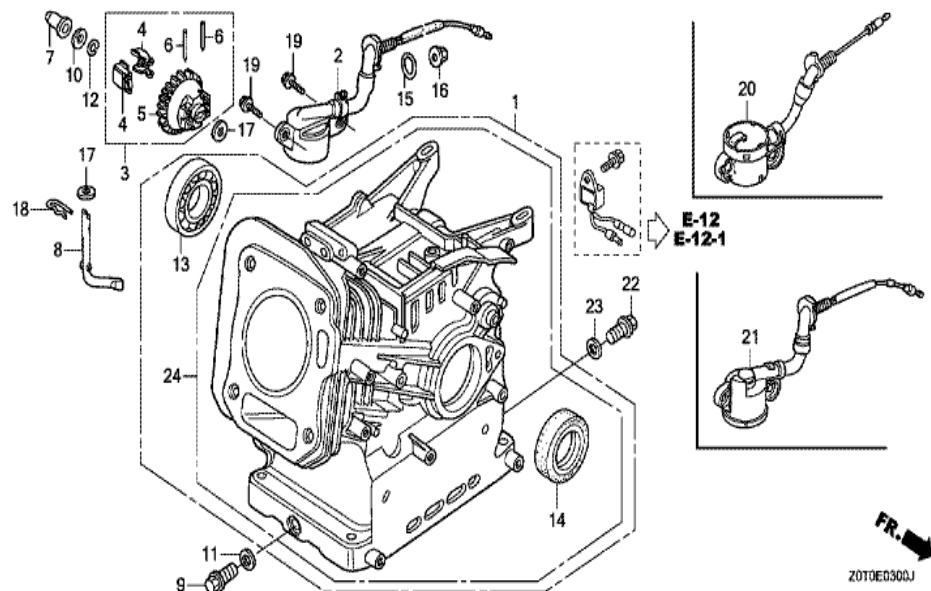


Z0T0E2900B

<u>Ref</u>	<u>Partnumber</u>	<u>Description</u>	<u>GX160T2</u>	<u>Serial Numbers</u>
003	89216-Z0T-800	WRENCH, SPARK PLUG	(1)	

GX160T2(QCWE)

E-3 CYLINDER BARREL

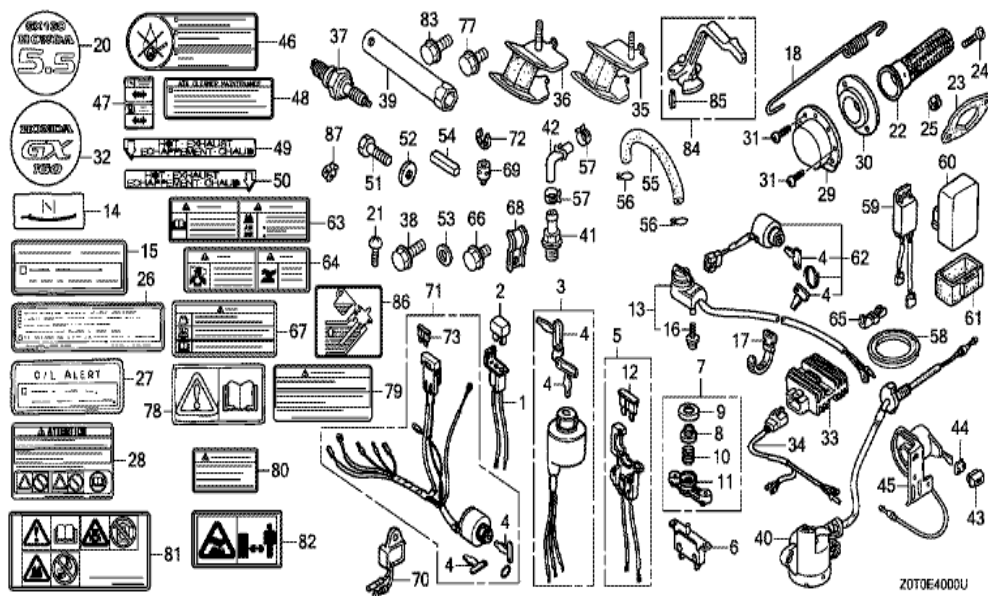


<u>Ref</u>	<u>Partnumber</u>	<u>Description</u>	<u>GX160T2</u>	<u>Serial Numbers</u>
001	12000-Z4M-416	BARREL ASSY., CYLINDER (OIL ALERT)	1	3000000
003	16510-Z4M-000	GOVERNOR ASSY.	1	
004	16511-Z4M-000	WEIGHT, GOVERNOR	2	
005	16512-Z4M-000	HOLDER, GOVERNOR WEIGHT	1	
006	16513-ZE1-000	PIN, GOVERNOR WEIGHT	2	
007	16531-Z4M-000	SLIDER, GOVERNOR	1	
008	16541-Z4M-000	SHAFT, GOVERNOR ARM	1	
012	90602-ZE1-000	CLIP, GOVERNOR HOLDER	1	
013	91001-Z4X-003	BEARING, RADIAL BALL (6205) (NSK)	1	3000000
013	91001-ZF1-003	BEARING, RADIAL BALL (6205TMB) (NTN)	1	3000000
013	91001-ZF1-004	BEARING, RADIAL BALL (6205SH) (KOYO)	1	3000000
014	91201-Z0T-801	OIL SEAL, 25X41X6 (NOK)	1	
014	91202-YA0-P01	OIL SEAL, 25X41X6 (ARAI)	1	
<u>Ref</u>	<u>Partnumber</u>	<u>Description</u>	<u>GX160T2</u>	<u>Serial Numbers</u>
015	91353-671-004	O-RING, 14MM (NOK)	1	
016	94050-10000	NUT, FLANGE, 10MM	1	
017	94101-06800	WASHER, PLAIN, 6MM	2	
018	94251-08000	PIN, LOCK, 8MM	1	
019	95701-0601200	BOLT, FLANGE, 6X12	2	

020	35480-Z0T-003	SWITCH ASSY., OIL LEVEL	1	
020	35480-Z4M-003	SWITCH ASSY., OIL LEVEL (ASAHI DENSO)	1	
022	90131-ZE1-000	BOLT, DRAIN PLUG	1	
023	90601-ZE1-000	WASHER, DRAIN PLUG, 10.2MM	1	
024	12000-Z4M-426	BARREL ASSY., CYLINDER (OIL ALERT)	1	3000001

GX160T2(QCWE)

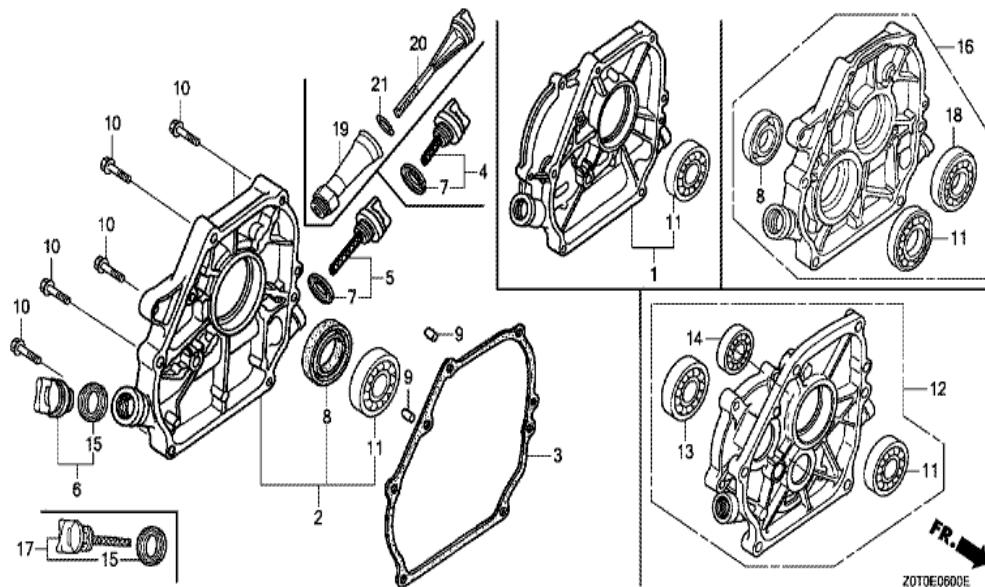
E-40 OTHER PARTS (1)



<u>Ref</u>	<u>Partnumber</u>	<u>Description</u>	<u>GX160T2</u>	<u>Serial Numbers</u>
029	18331-883-810	CAP, MUFFLER	1	
031	90055-ZE1-000	SCREW, TAPPING, 4X6	2	
054	90745-ZE1-600	KEY, 4.78X4.78X38	1	

GX160T2(QCWE)

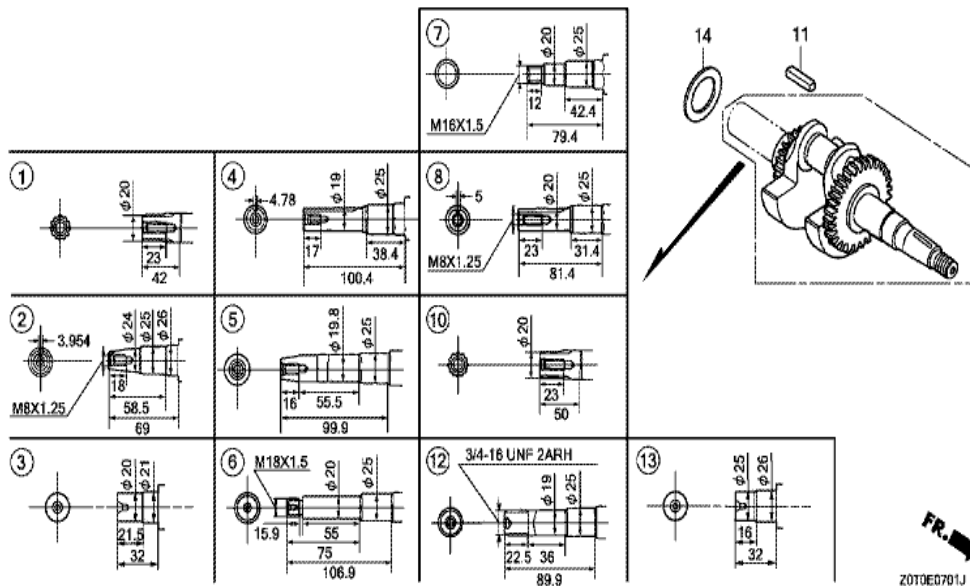
E-6 CRANKCASE COVER (1)



<u>Ref</u>	<u>Partnumber</u>	<u>Description</u>	<u>GX160T2</u>	<u>Serial Numbers</u>
002	11300-Z4M-640	COVER ASSY., CRANKCASE	1	
003	11381-ZH8-801	PACKING, CASE COVER (NON ASBESTOS)	1	
005	15600-Z0T-810	CAP ASSY., OIL FILLER (GAUGE) (GRAY)	1	
006	15600-Z0T-820	CAP ASSY., OIL FILLER (BLACK)	1	
008	91201-Z0T-801	OIL SEAL, 25X41X6 (NOK)	1	
008	91202-Z1T-003	OIL SEAL, 25X41X6 (ARAI)	1	
009	94301-08140	DOWEL PIN, 8X14	2	
010	95701-0803200	BOLT, FLANGE, 8X32	6	
011	96100-6205000	BEARING, RADIAL BALL, 6205	1	
015	15625-Z0T-800	PACKING, OIL FILLER CAP	1	

GX160T2(QCWE)

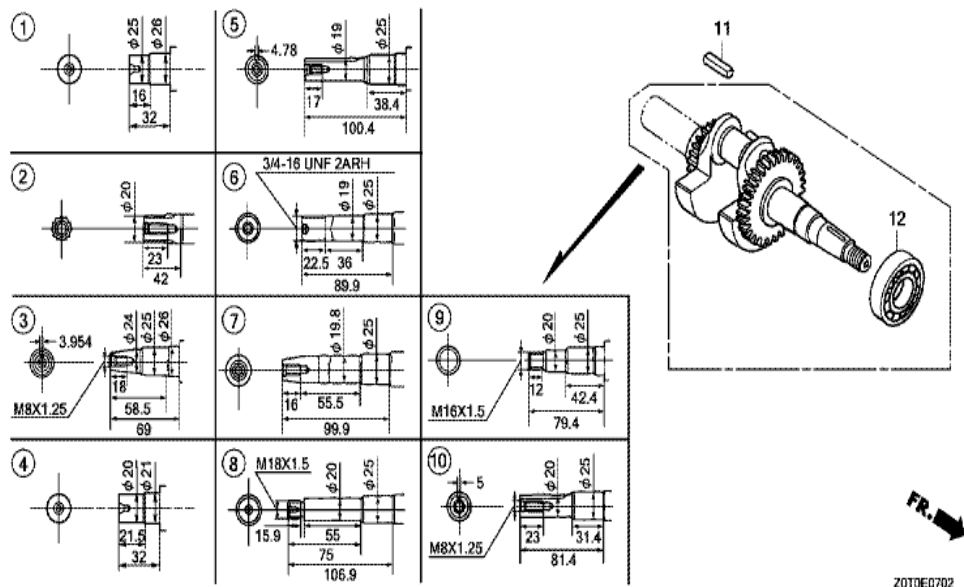
E-7-1 CRANKSHAFT (2)



<u>Ref</u>	<u>Partnumber</u>	<u>Description</u>	<u>GX160T2</u>	<u>Serial Numbers</u>
004	13310-Z4M-800	CRANKSHAFT COMP.	1	3000000

GX160T2(QCWE)

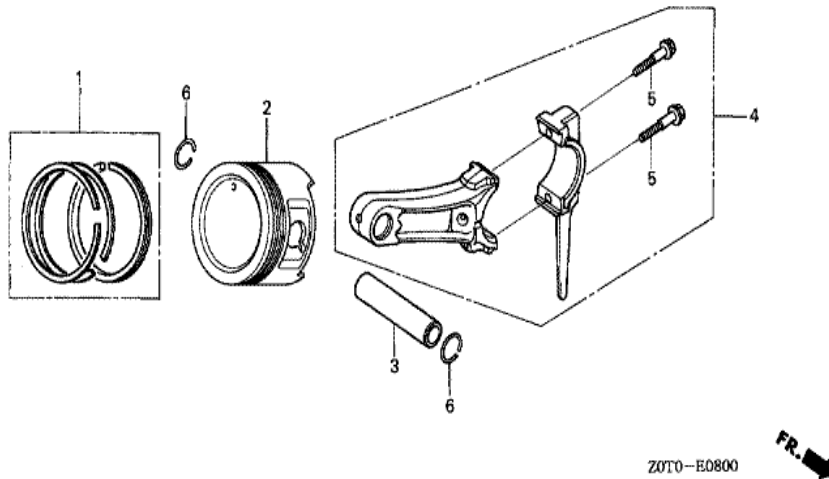
E-7-2 CRANKSHAFT (3)



Ref	Partnumber	Description	GX160T2	Serial Numbers
005	13310-Z4M-801	CRANKSHAFT COMP.	1	3000001
012	91001-Z4X-003	BEARING, RADIAL BALL (6205) (NSK)	1	3000001
012	91001-ZF1-003	BEARING, RADIAL BALL (6205TMB) (NTN)	1	3000001
012	91001-ZF1-004	BEARING, RADIAL BALL (6205SH) (KOYO)	1	3000001

GX160T2(QCWE)

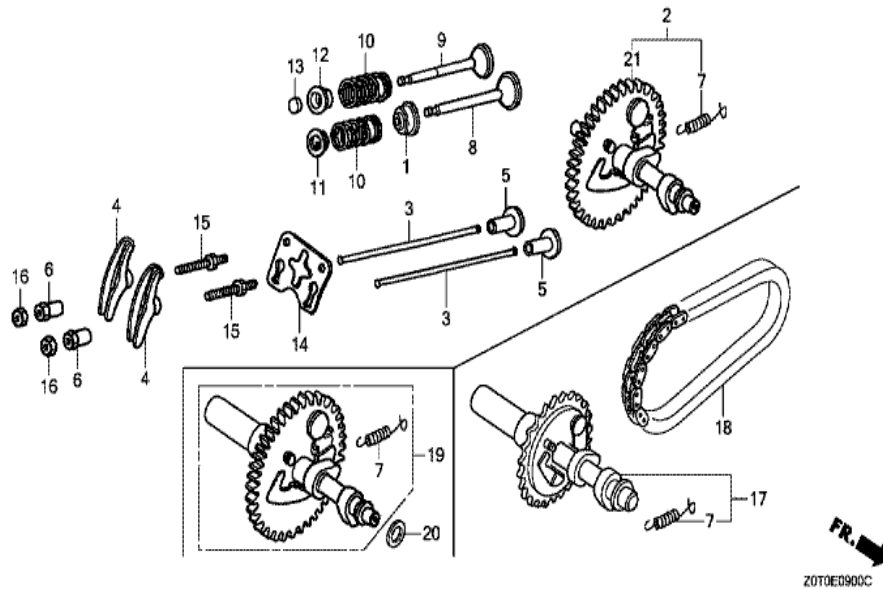
E-8 PISTON



<u>Ref</u>	<u>Partnumber</u>	<u>Description</u>	<u>GX160T2</u>	<u>Serial Numbers</u>
001	13010-Z4M-801	RING SET, PISTON (STD.) (RIKEN)	1	
001	13010-Z4M-802	RING SET, PISTON (STD.) (TPR)	1	
001	13011-Z4K-004	RING SET, PISTON (0.25) (TPR)	(1)	
001	13011-Z4M-003	RING SET, PISTON (0.25) (RIKEN)	(1)	
001	13012-Z4K-004	RING SET, PISTON (0.50) (TPR)	(1)	
001	13012-Z4M-003	RING SET, PISTON (0.50) (RIKEN)	(1)	
002	13101-Z4M-800	PISTON (STD.)	1	3000000
002	13101-Z4M-801	PISTON (STD.)	1	3000001
002	13102-Z4M-800	PISTON (0.25)	(1)	3000000
002	13102-Z4M-801	PISTON (0.25)	(1)	3000001
002	13103-Z4M-800	PISTON (0.50)	(1)	3000000
002	13103-Z4M-801	PISTON (0.50)	(1)	3000001
003	13111-Z4M-000	PIN, PISTON	1	
<u>Ref</u>	<u>Partnumber</u>	<u>Description</u>	<u>GX160T2</u>	<u>Serial Numbers</u>
004	13200-Z0T-306	ROD ASSY., CONNECTING (UNDER SIZE)	(1)	
004	13200-Z0T-900	ROD ASSY., CONNECTING	1	
004	13200-Z4M-305	ROD ASSY., CONNECTING (UNDER SIZE)	(1)	
005	90001-Z4M-000	BOLT, CONNECTING ROD, 6X34.5	2	
006	90551-ZE1-000	CLIP, PISTON PIN, 18MM	2	

GX160T2(QCWE)

E-9 CAMSHAFT



<u>Ref</u>	<u>Partnumber</u>	<u>Description</u>	<u>GX160T2</u>	<u>Serial Numbers</u>
001	12209-Z4M-801	SEAL, VALVE STEM	1	
002	14100-Z4M-000	CAMSHAFT ASSY.	1	
003	14410-Z4M-000	ROD COMP., PUSH	2	
004	14431-ZE1-000	ARM, VALVE ROCKER	2	
005	14441-ZE1-010	LIFTER, VALVE	2	
006	14451-Z4M-000	PIVOT, ROCKER ARM	2	
007	14568-ZE1-000	SPRING, WEIGHT RETURN	1	
008	14711-Z4M-000	VALVE, IN.	1	
009	14721-Z4M-000	VALVE, EX.	1	
010	14751-ZF1-000	SPRING, VALVE	2	
011	14771-Z0T-900	RETAINER, VALVE SPRING	1	
012	14771-Z0T-900	RETAINER, VALVE SPRING	1	
014	14791-Z4M-000	PLATE, PUSH ROD GUIDE	1	
<u>Ref</u>	<u>Partnumber</u>	<u>Description</u>	<u>GX160T2</u>	<u>Serial Numbers</u>
015	90012-ZE0-010	BOLT, PIVOT, 8MM	2	
016	90206-ZE1-000	NUT, PIVOT ADJUSTING	2	